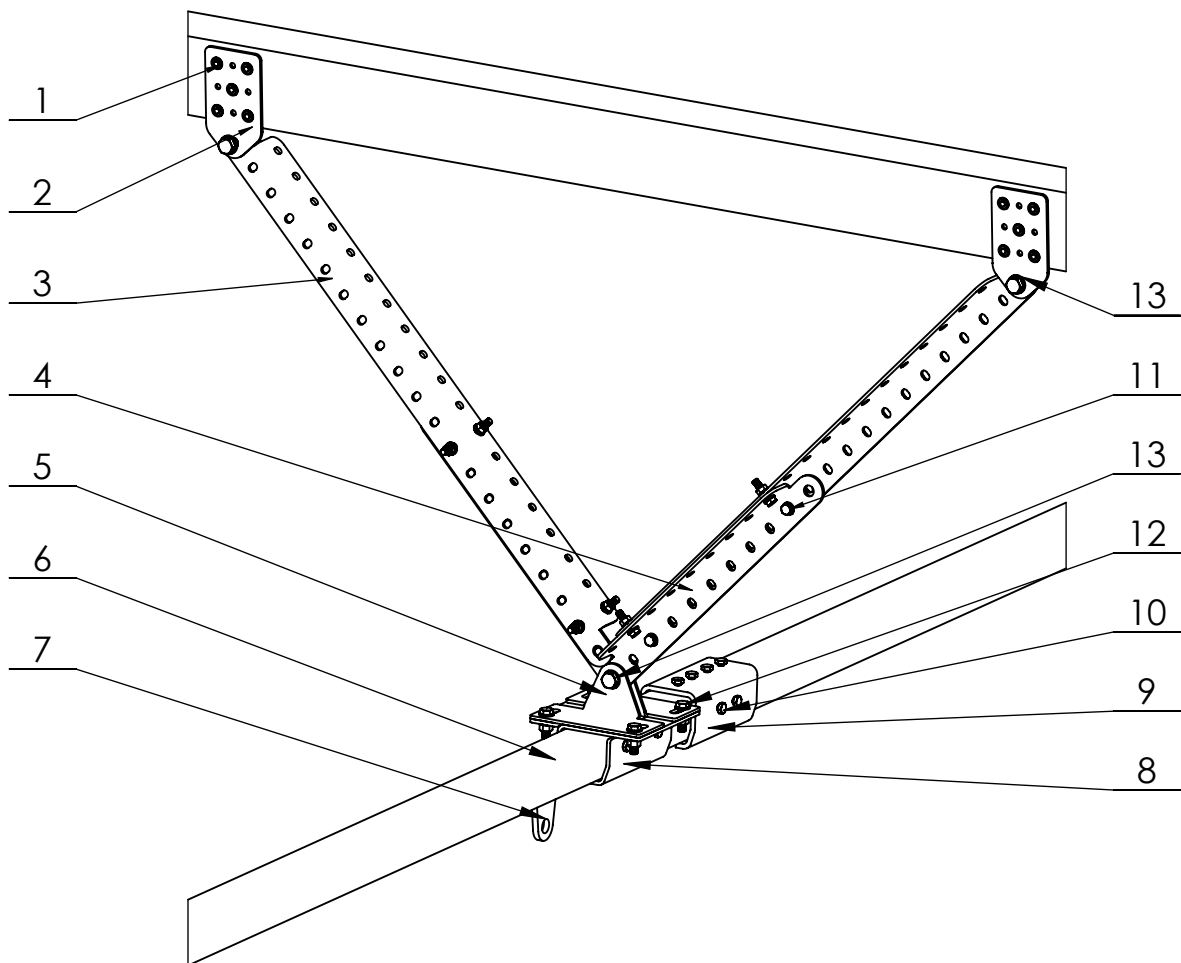




SAFETY AT THE HIGHEST LEVEL

# Kee Track Technical Datasheet Pack

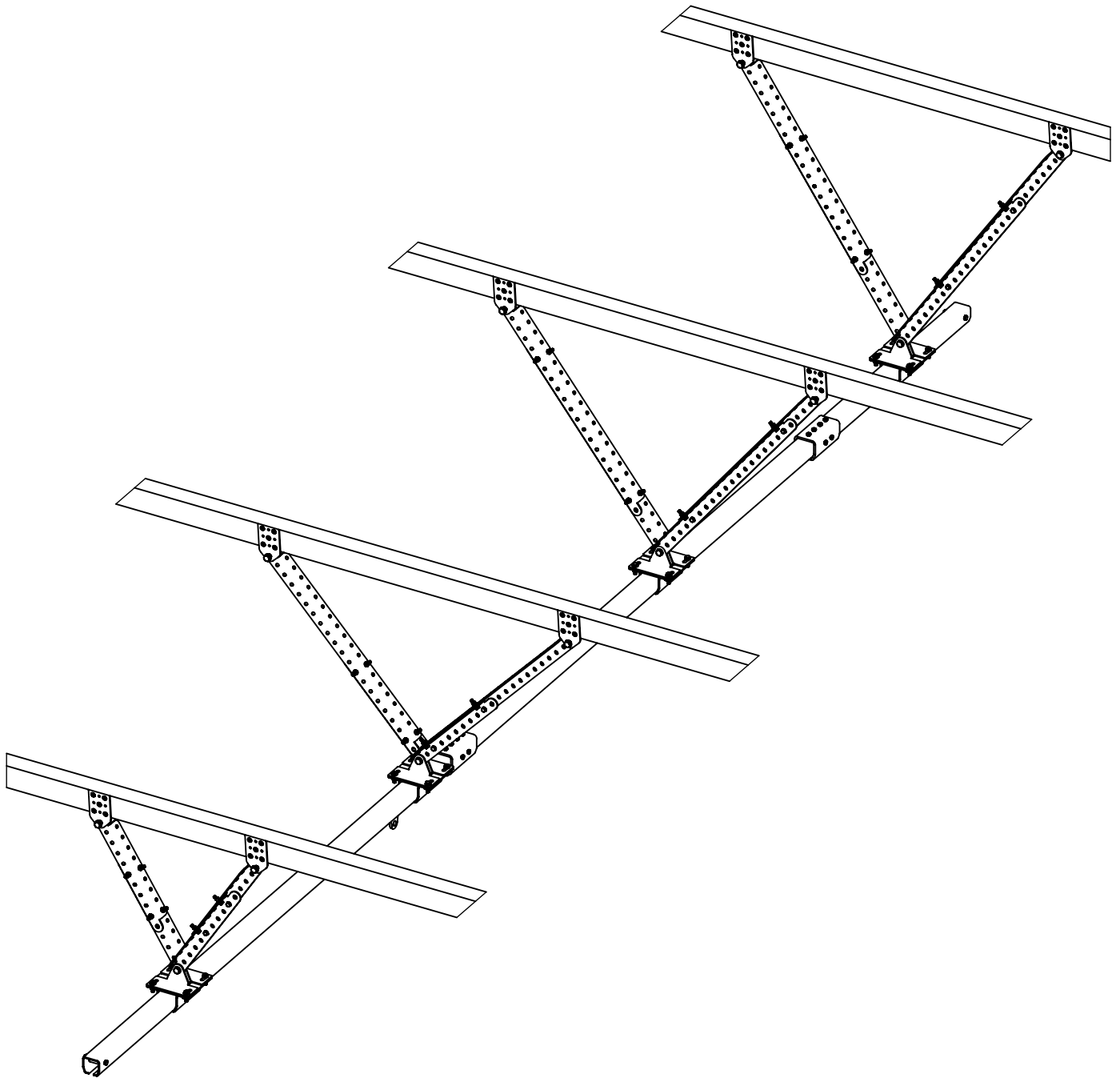


## Revision 03

Issued March 2021

# Technical Datasheet No: 0001

TYPICAL KEE TRACK - PERPENDICULAR TO PURLIN



## COMPONENT SPECIFICATION

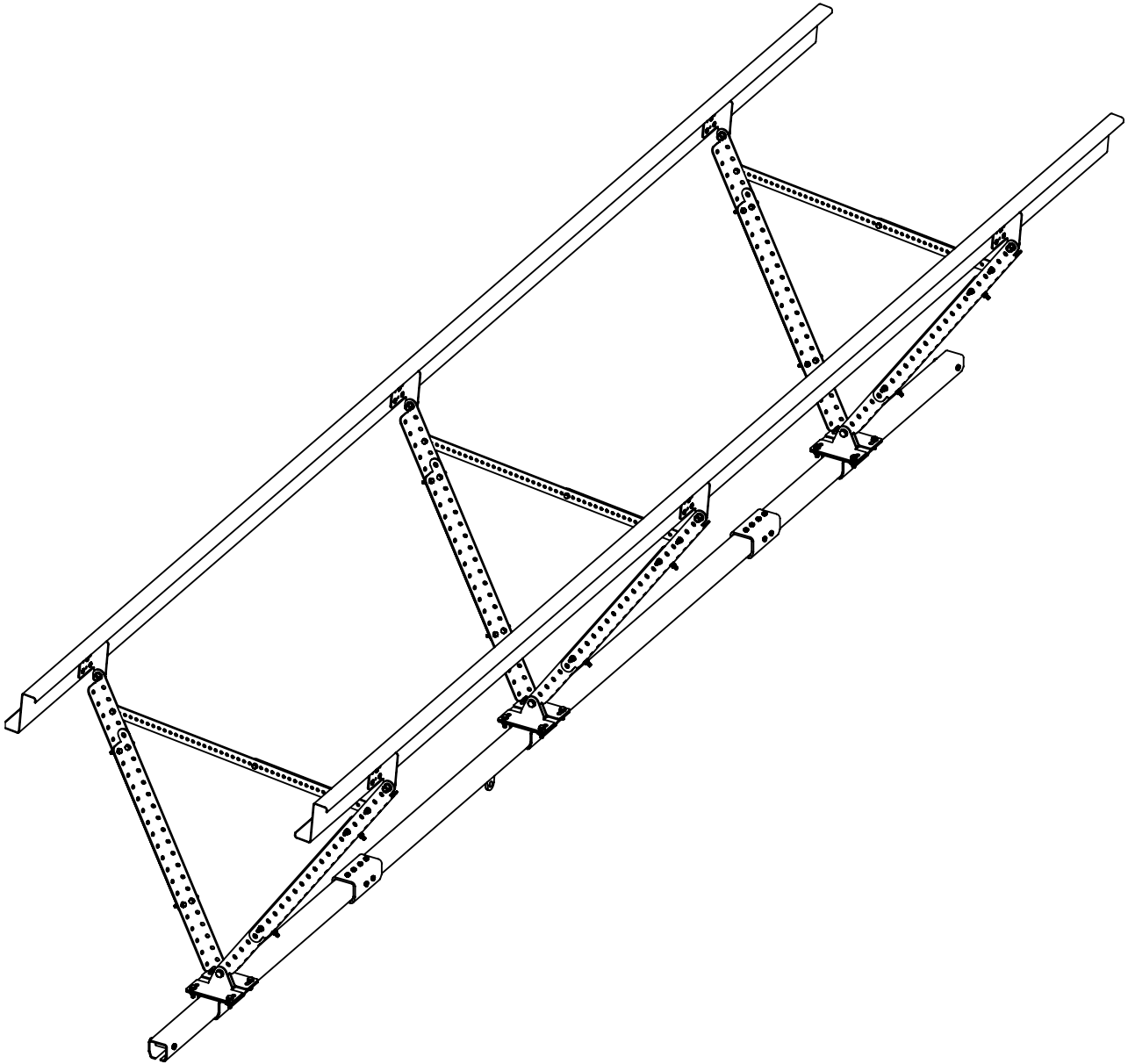
Material	MILD STEEL THROUGHOUT
Finish	HOT DIP GALVANISING TO SIC 109
Weight	

Issue Date: 16/03/2021

Issue No: 3

# Technical Datasheet No: 0002

TYPICAL KEE TRACK - PARALLEL TO PURLIN



## COMPONENT SPECIFICATION

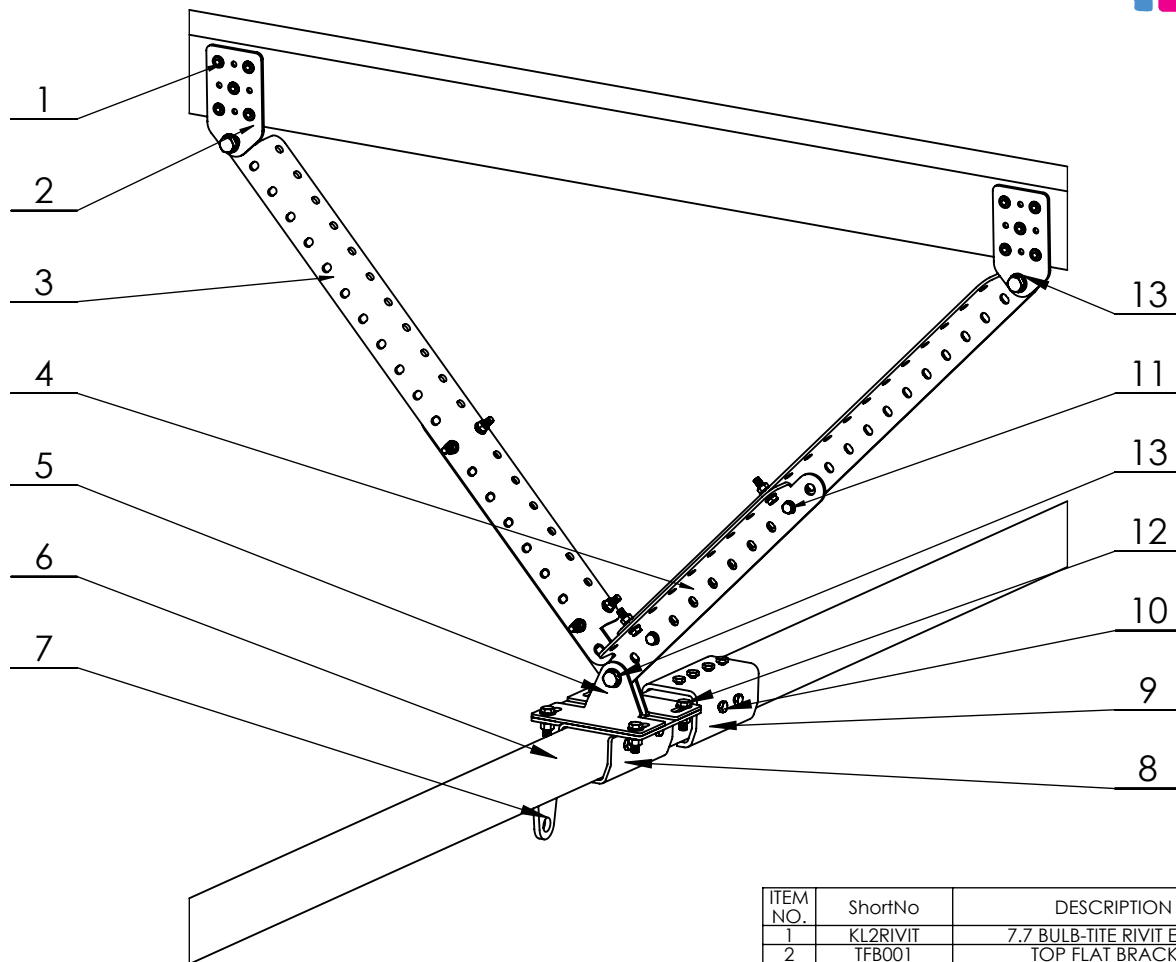
Material	MILD STEEL THROUGHOUT
Finish	HOT DIP GALVANISING TO SIC 109
Weight	

Issue Date: 16/03/2021

Issue No: 3

# Technical Datasheet No: 0003

## KEE TRACK - PERPENDICULAR ASSEMBLY



ITEM NO.	ShortNo	DESCRIPTION	QTY.
1	KL2RIVIT	7.7 BULB-TITE RIVIT EPDM	10
2	TFB001	TOP FLAT BRACKET	2
3	LA1000	HANGAR LINK ARM - 1000MM	2
4	LA500	HANGAR LINK ARM - 500MM	2
5	KTAB6HS010	SLOTTED CLAM SHELL TOP BRACKET	2
6	10FR600	10FR600 PROFILE 600 FLEXRAIL	1
7	10TR600	600 SERIES TROLLEY	1
8	KT10SP6H10	600 SERIES HALF CLAM SHELL	2
9	KT10SP6010	600 SERIES RAIL SPLICE	1
10	M10X20G	M10 X 20 GALV BOLT	12
11	10HB10FP600	M10 HANGING BRACKET FIXING	8
	M10X40G	M10 X 40 GALV BOLT	1
	WW1310	M10 PLAIN WASHER - GALV	2
	WW1210	M10 PLAIN NUT - GALV	1
	WW1320	M10 SPRING WASHER - GALV	1
12	110RC12FP600	M12 HANGING BRACKET FIXING	4
	M12X40G	M12 X 40 GALV BOLT	1
	SPRWASH12G	M12 SPRING WASHER	1
	M12PWASHG	M12 GALV NUT	1
	M12PWASHG	M12 FLAT WASHER GALV FORM A	2
13	10HB16FP600	M16 HANGING BRACKET FIXING	3
	M16X50G	M16 X 50 GALV BOLT	1
	M16PWASHG	M16 PLAIN WASHER - GALV	2
	M16NUTG	M16 HEX NUT - GALV	1
	M16SWASHG	M16 SPRING WASHER - GALV	1

### APPLICATION

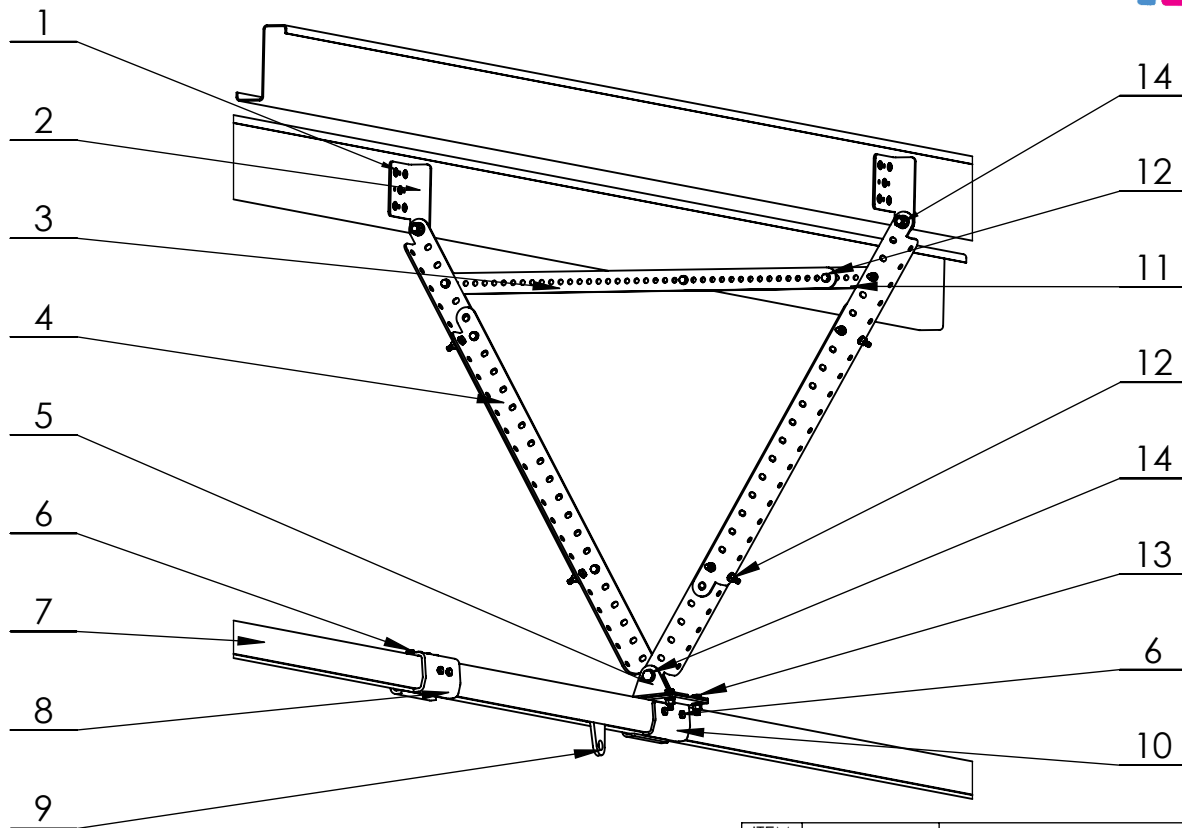
Hangar assembly for installation of Kee Track to perpendicular purlins.

### COMPONENT SPECIFICATION

Material	MILD STEEL THROUGHOUT
Finish	HOT DIP GALVANISING TO SIC 109
Weight	

# Technical Datasheet No: 0004

## KEE TRACK - PARALLEL ASSEMBLY ON TWO PURLINS



ITEM NO.	ShortNo	DESCRIPTION	QTY.
1	KL2RIVIT	7.7 BULB-TITE RIVIT EPDM	10
2	KTTAB00110	PURLIN BRACKET - PARALLEL	2
3	TLA1000	HANGAR LINK ARM BRACE - 1000MM	1
4	LA1000	HANGAR LINK ARM - 1000MM	4
5	KTAB6HS010	SLOTTED CLAM SHELL TOP BRACKET	2
6	M10X20G	M10 X 20 GALV BOLT	12
7	10FR600	10FR600 PROFILE 600 FLEXRAIL	1
8	KT10SP6010	600 SERIES RAIL SPLICE	1
9	10TR600	600 SERIES TROLLEY	1
10	KT10SP6H10	600 SERIES HALF CLAM SHELL	2
11	TLA500	HANGAR LINK ARM BRACE - 500MM	1
12	10HB10FP600	M10 HANGING BRACKET FIXING	12
	M10X40G	M10 X 40 GALV BOLT	1
	WW1310	M10 PLAIN WASHER - GALV	2
	WW1210	M10 PLAIN NUT - GALV	1
	WW1320	M10 SPRING WASHER - GALV	1
13	110RC12FP600	M12 HANGING BRACKET FIXING	4
	M12X40G	M12 X 40 GALV BOLT	1
	SPRWASH12G	M12 SPRING WASHER	1
	M12PWASHG	M12 GALV NUT	1
	M12PWASHG	M12 FLAT WASHER GALV FORM A	2
14	10HB16FP600	M16 HANGING BRACKET FIXING	3
	M16X50G	M16 X 50 GALV BOLT	1
	M16PWASHG	M16 PLAIN WASHER - GALV	2
	M16NUTG	M16 HEX NUT - GALV	1
	M16SWASHG	M16 SPRING WASHER - GALV	1

### APPLICATION

Hangar assembly for installation of Kee Track to parallel purlins.

### COMPONENT SPECIFICATION

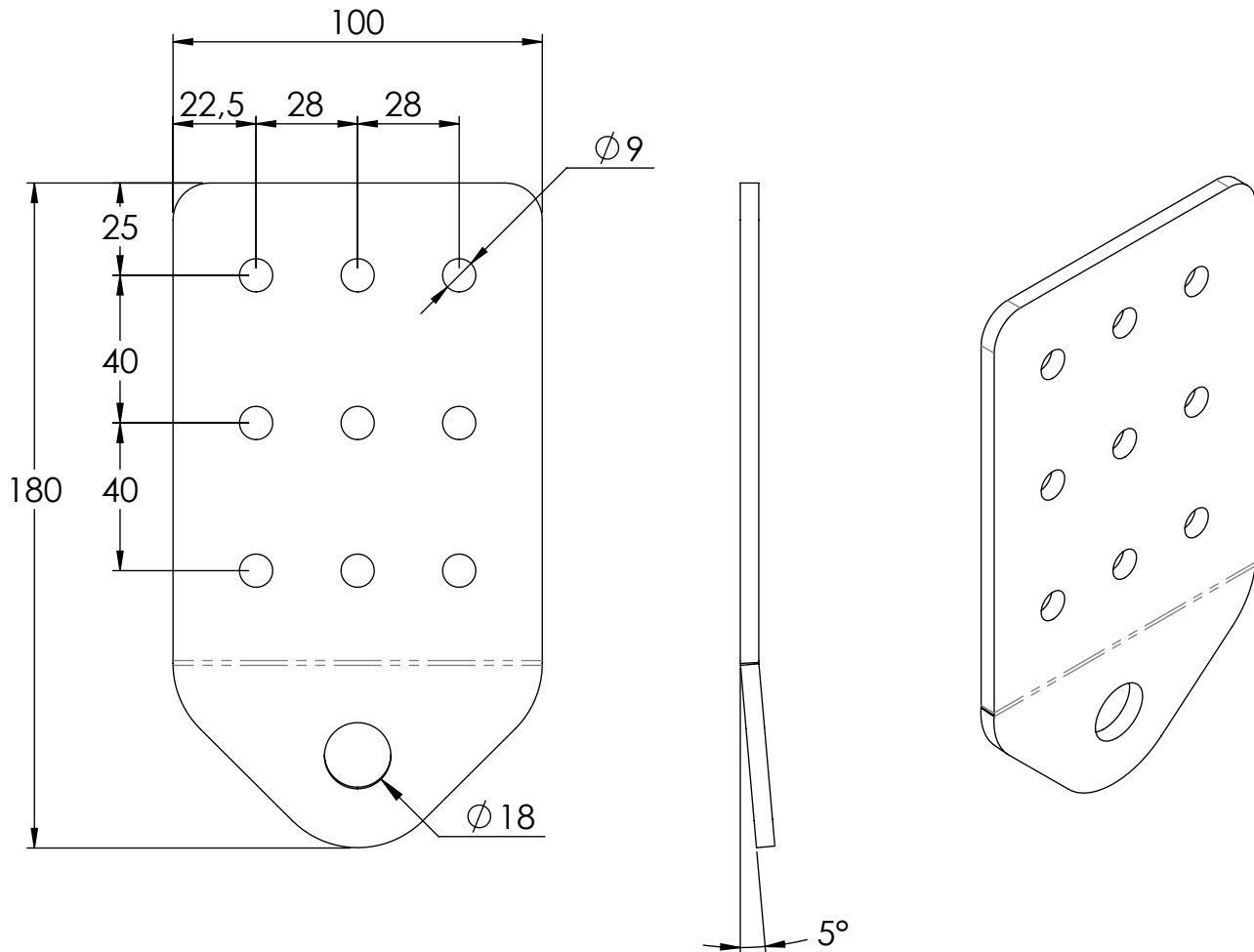
Material	MILD STEEL THROUGHOUT
Finish	HOT DIP GALVANISING TO SIC 109
Weight	

# Technical Datasheet No: 0007

## PURLIN BRACKET - PERPENDICULAR

Part No: KTTFB00110

Short Part No: TFB001



### APPLICATION

To be used to mount link arms to purlin on perpendicular installs.

### COMPONENT SPECIFICATION

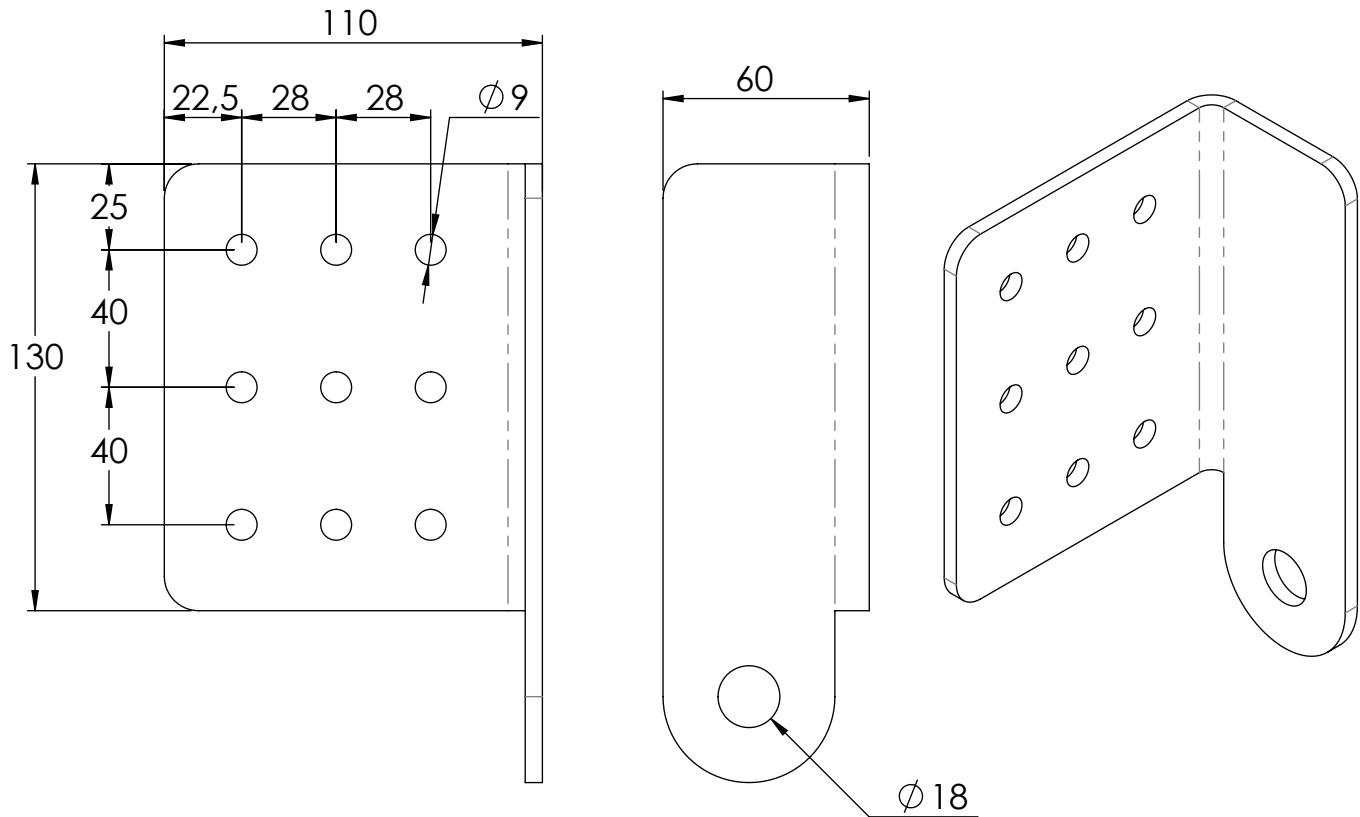
Material	MILD STEEL
Finish	HOT DIP GALVANISING TO SIC 109
Weight	0.60

# Technical Datasheet No: 0008

PURLIN BRACKET - PARALLEL

Part No: TAB001

Short Part No: KTTAB00110



## APPLICATION

To be used to mount link arms to purlins on parallel installs.

## COMPONENT SPECIFICATION

Material	MILD STEEL
Finish	HOT DIP GALVANISING TO SIC 109
Weight	0.87

Issue Date: 10/03/2021

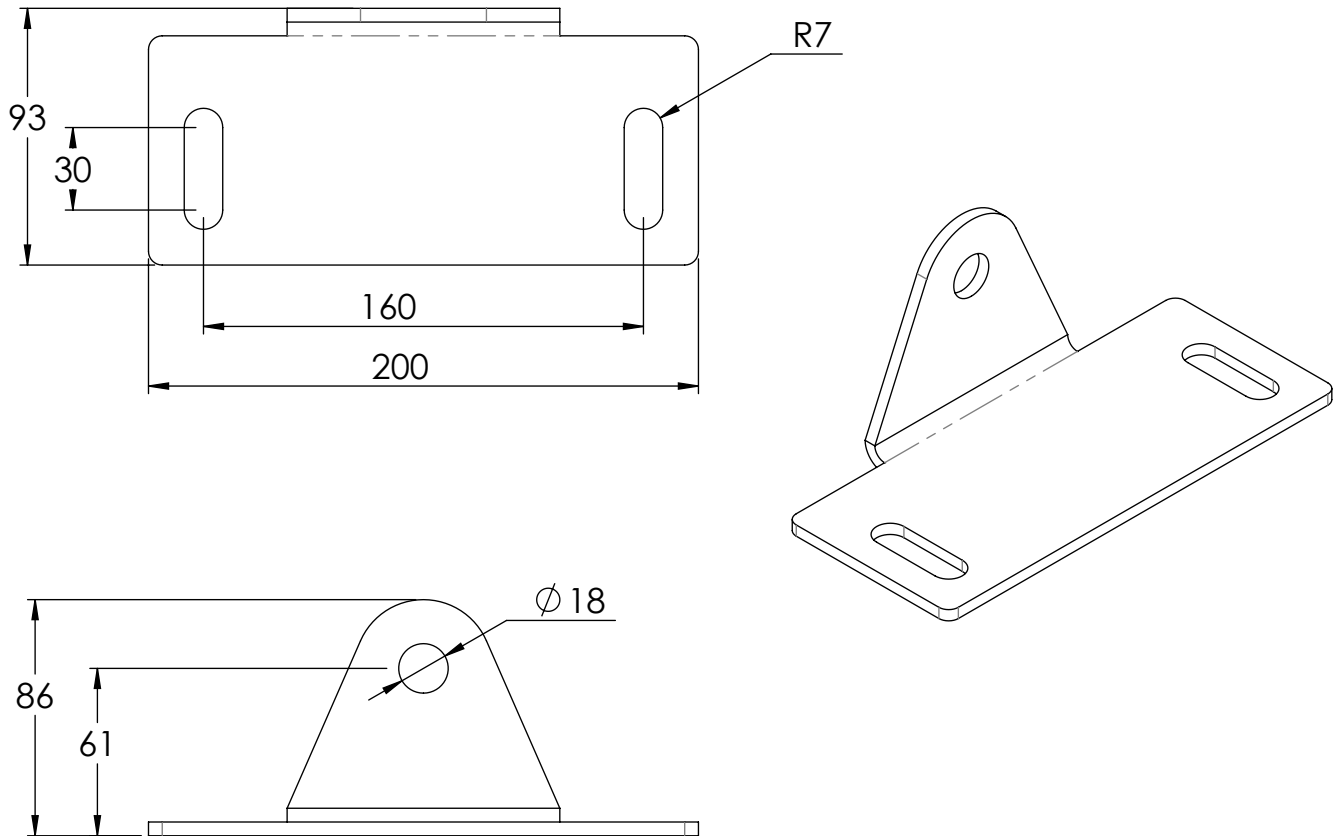
Issue No: 1

# Technical Datasheet No: 0009

## SLOTTED CLAM SHELL TOP BRACKET

Part No: AB600HS

Short Part No: KTAB6HS010



### APPLICATION

Used to mount the rail half splice to the hanging brackets.

### COMPONENT SPECIFICATION

Material	MILD STEEL
Finish	HOT DIP GALVANISING TO SIC 109
Weight	0.83

Issue Date: 10/03/2021

Issue No: 1

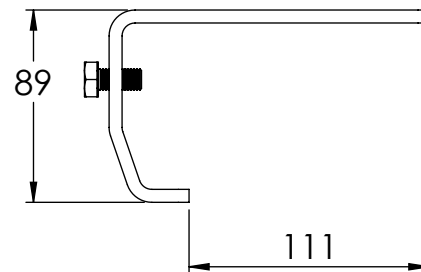
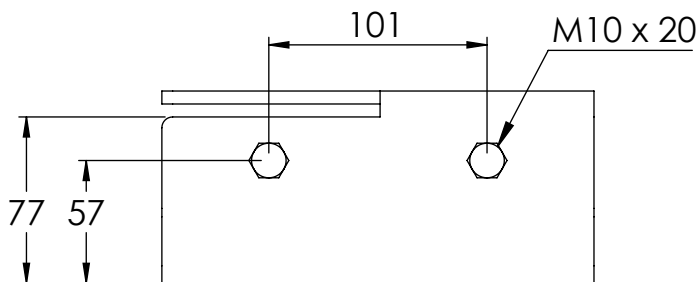
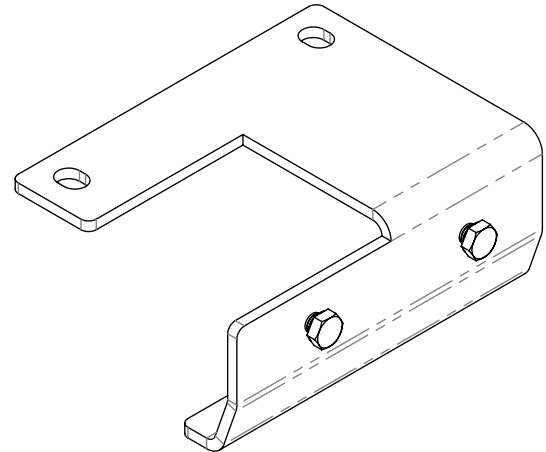
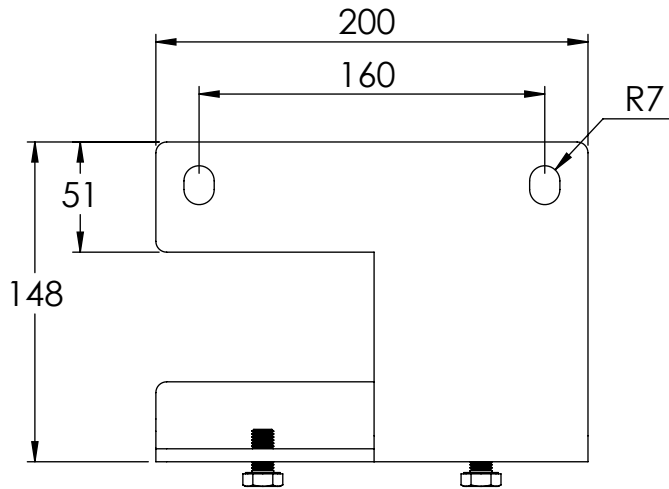


# Technical Datasheet No: 0010

600 SERIES HALF CLAM SHELL

Part No: 10SP600H

Short Part No: KT10SP6H10



## APPLICATION

Used to mount the rail to the hangar assembly.

## COMPONENT SPECIFICATION

Material	Plain Carbon Steel
Finish	HOT DIP GALVANISING TO SIC 109
Weight	1.87

Issue Date: 11/03/2021

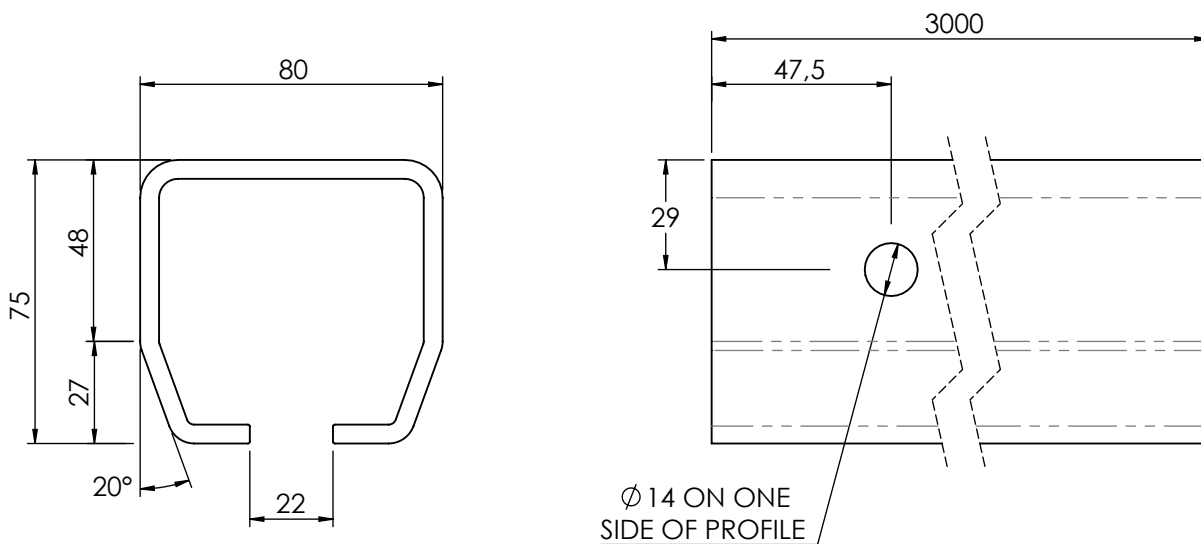
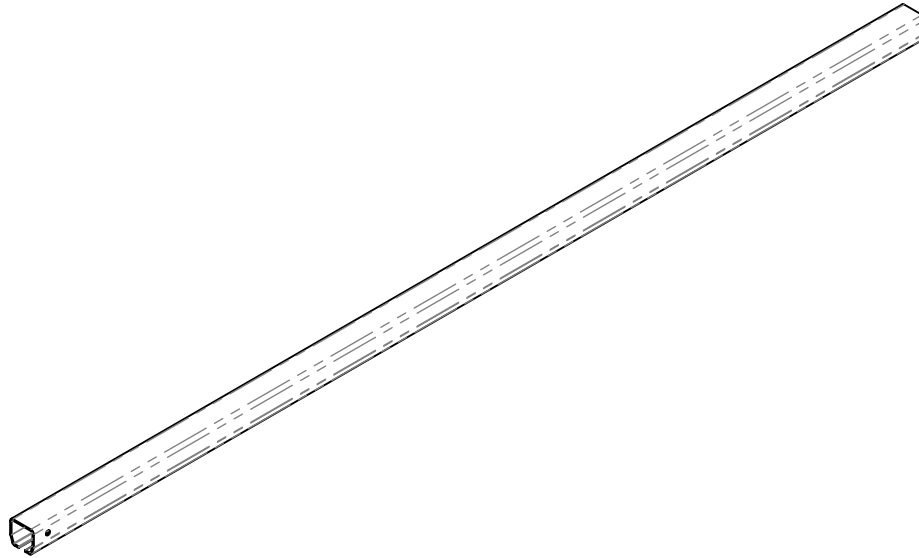
Issue No: 2

# Technical Datasheet No: 0011

600 SERIES RIGID RAIL 3M SECTION

Part No: 10FR600

Short Part No: KT10FR6010



## APPLICATION

Main component of the Kee Track system. Rail that holds a trolley for fall arrest applications.

## COMPONENT SPECIFICATION

Material	Mild Steel S235JRG2 GRADE STEEL TO EN10027:10038
Finish	GALVANISED TO BS EN ISO 1461
Weight	28.73

Issue Date: 10/03/2021

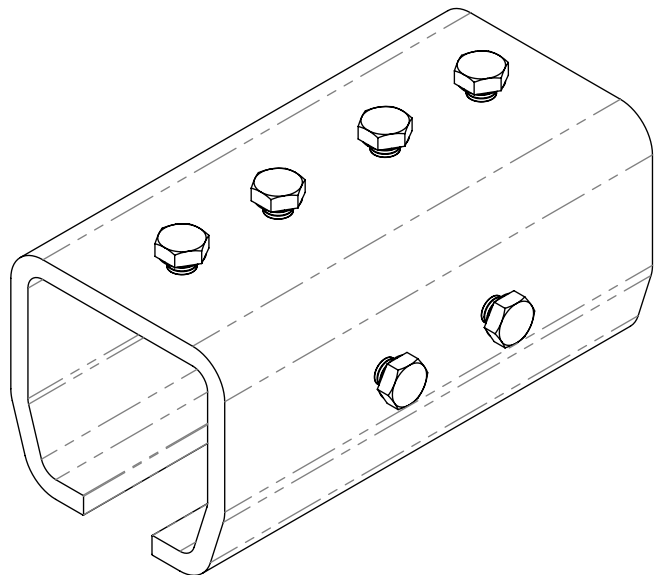
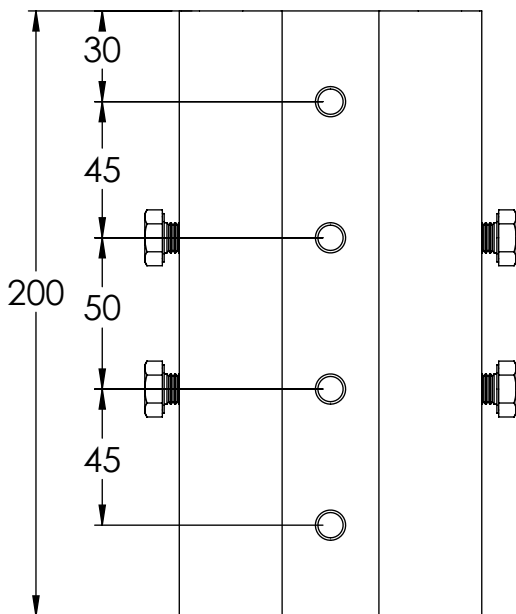
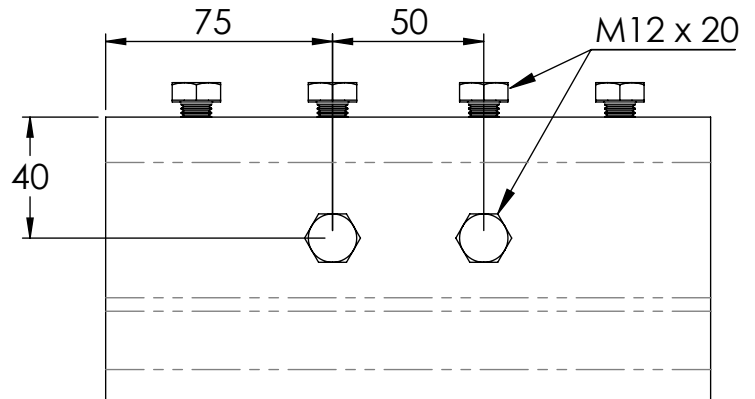
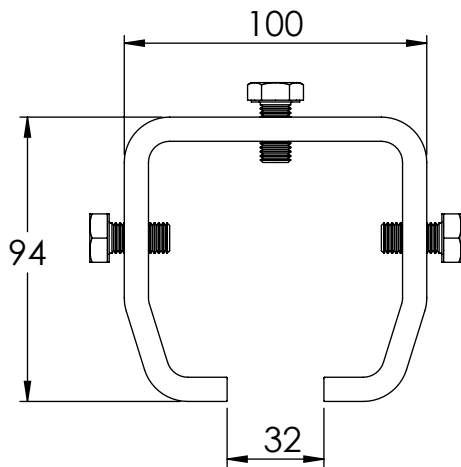
Issue No: 1

# Technical Datasheet No: 0012

600 SERIES RAIL SPLICE

Part No: 10SP600

Short Part No: KT10SP6010



## APPLICATION

Used to join two sections of rail together.

## COMPONENT SPECIFICATION

Material	Mild Steel S235JRG2 TO EN100027:10038 WITH MINIMUM YIELD
Finish	GALVANISED TO BS EN ISO 1461
Weight	3.83

Issue Date: 10/03/2021

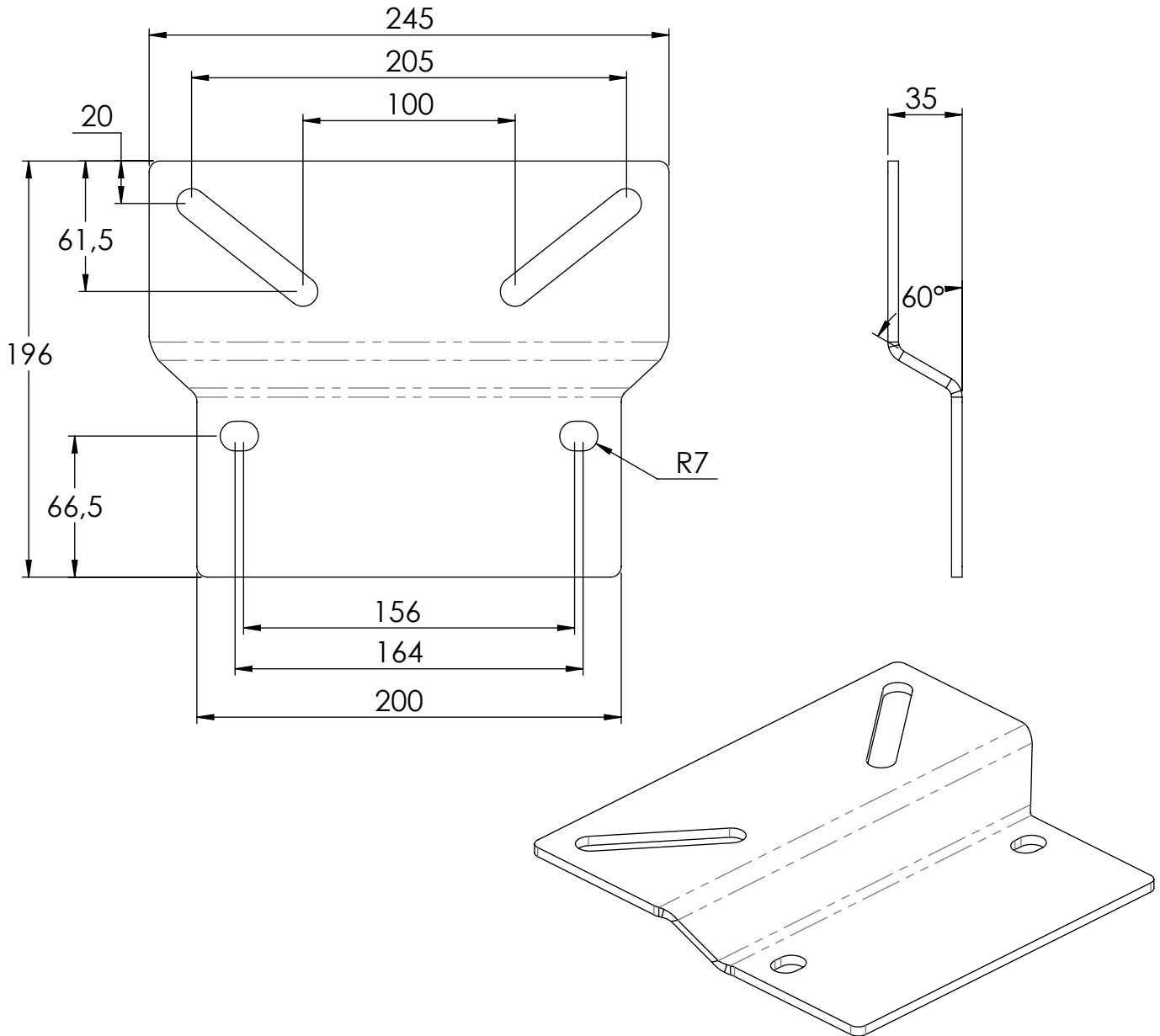
Issue No: 1

# Technical Datasheet No: 0013

I-BEAM HANGER HALF BRACKET- BEAMCLAMP

Part No: AB600BC

Short Part No: KTAB6BC010



## APPLICATION

Used to mount hanger assemblies to I beam steelwork using a beamclamp connection.

## COMPONENT SPECIFICATION

Material	MILD STEEL
Finish	HOT DIP GALVANISING TO SIC 109
Weight	1.74

Issue Date: 10/03/2021

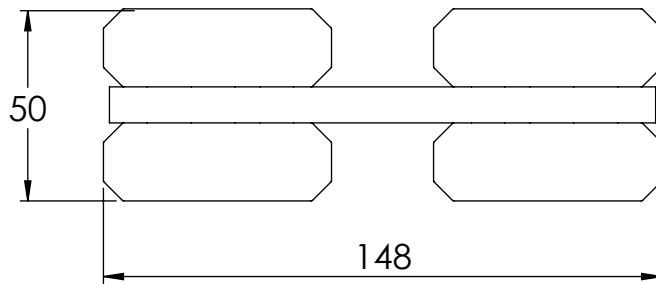
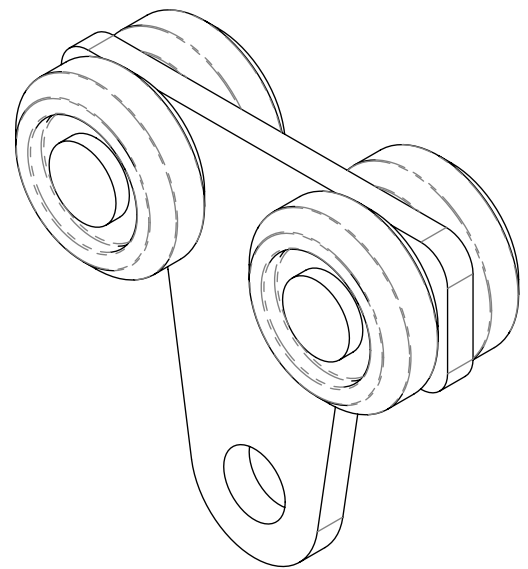
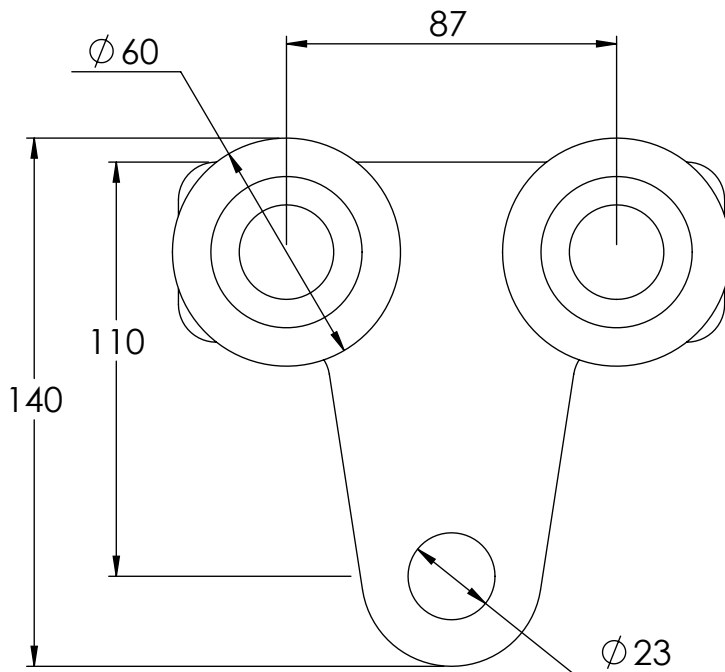
Issue No: 1

# Technical Datasheet No: 0014

600 SERIES TROLLEY

Part No: KT10TR6030

Short Part No: 10TR600



## APPLICATION

Used to connect appropriate PPE to and traverse inside of the rail to allow the user free movement.

## COMPONENT SPECIFICATION

Material	MILD STEEL / NYLON WHEELS
Finish	HOT DIP GALVANISING TO SIC 109 / NATURAL
Weight	1.13

Issue Date: 10/03/2021

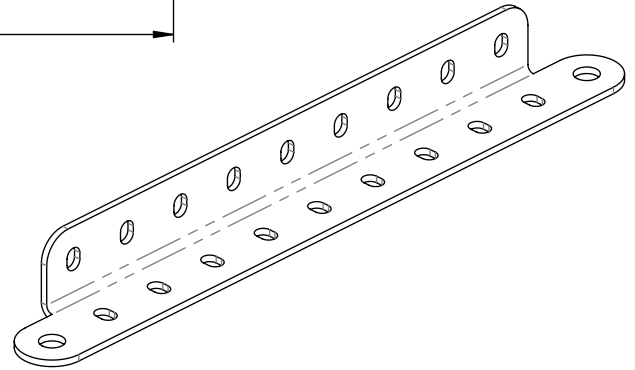
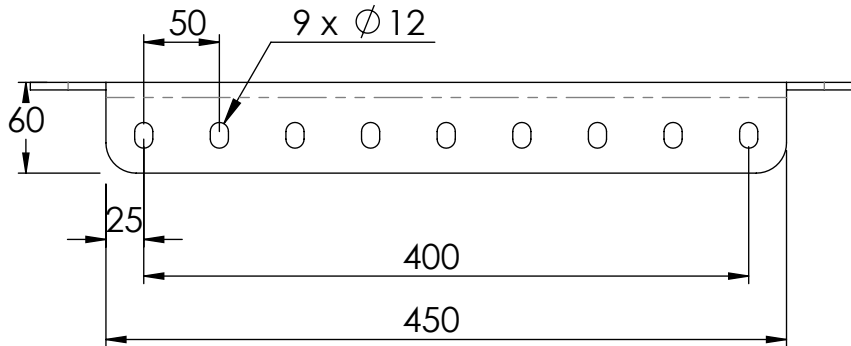
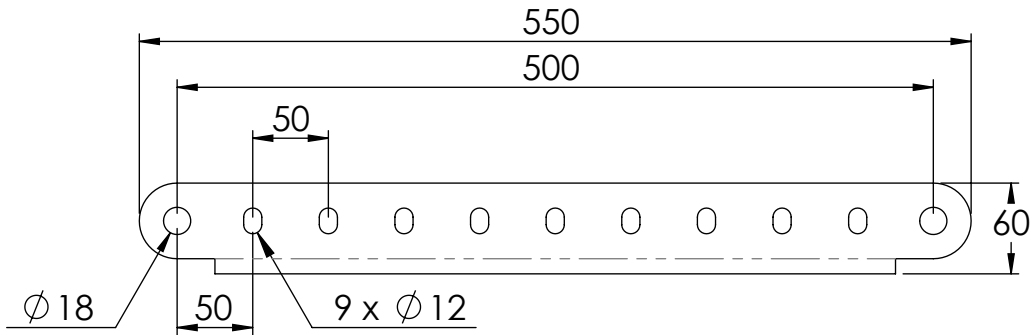
Issue No: 1

# Technical Datasheet No: 0015

HANGAR LINK ARM - 500MM

Part No: KTLA500010

Short Part No: LA500



## APPLICATION

Used as part of the hangar assembly.

## COMPONENT SPECIFICATION

Material	MILD STEEL
Finish	HOT DIP GALVANISING TO SIC 109
Weight	1.99

Issue Date: 10/03/2021

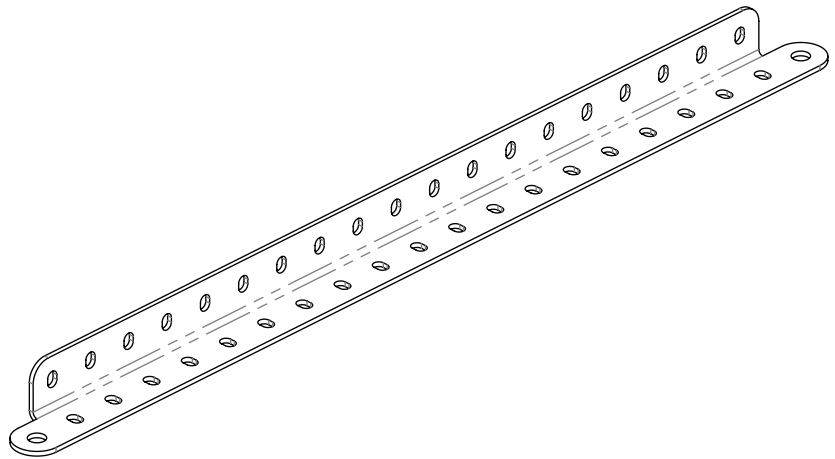
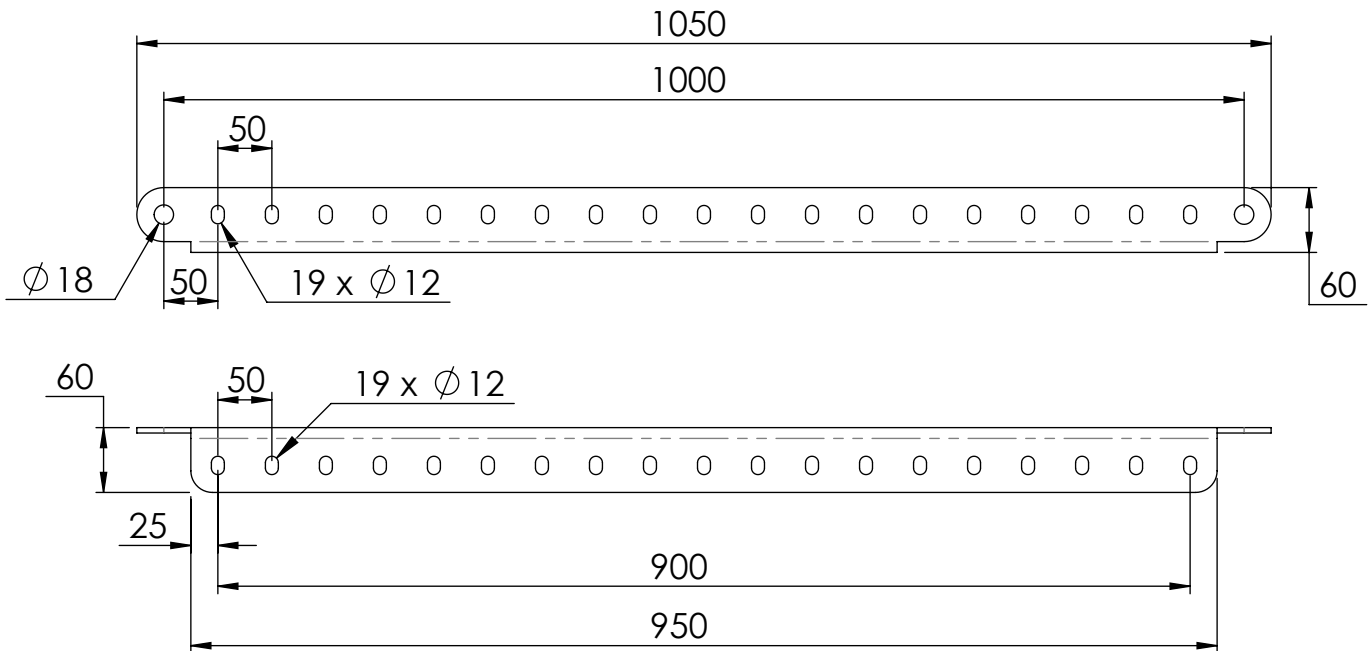
Issue No: 1

# Technical Datasheet No: 0016

HANGAR LINK ARM - 1000MM

Part No: KTLA100010

Short Part No: LA1000



## APPLICATION

Used as part of the hangar assembly.

## COMPONENT SPECIFICATION

Material	MILD STEEL
Finish	HOT DIP GALVANISING TO SIC 109
Weight	4.03

Issue Date: 10/03/2021

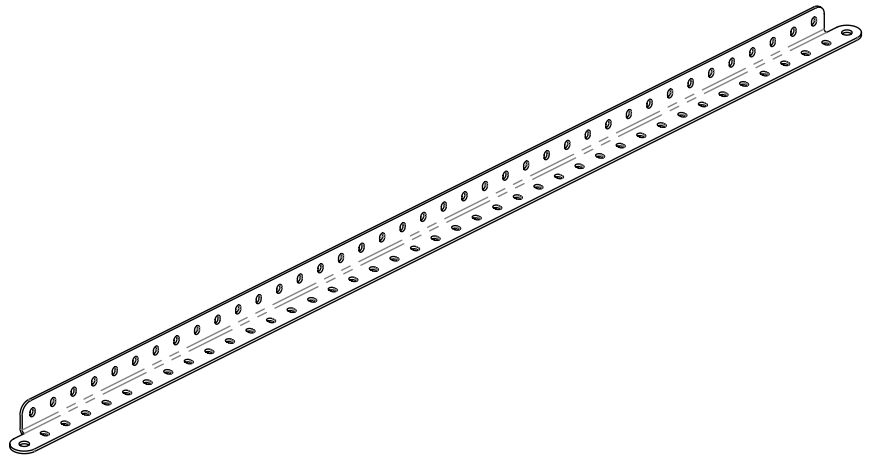
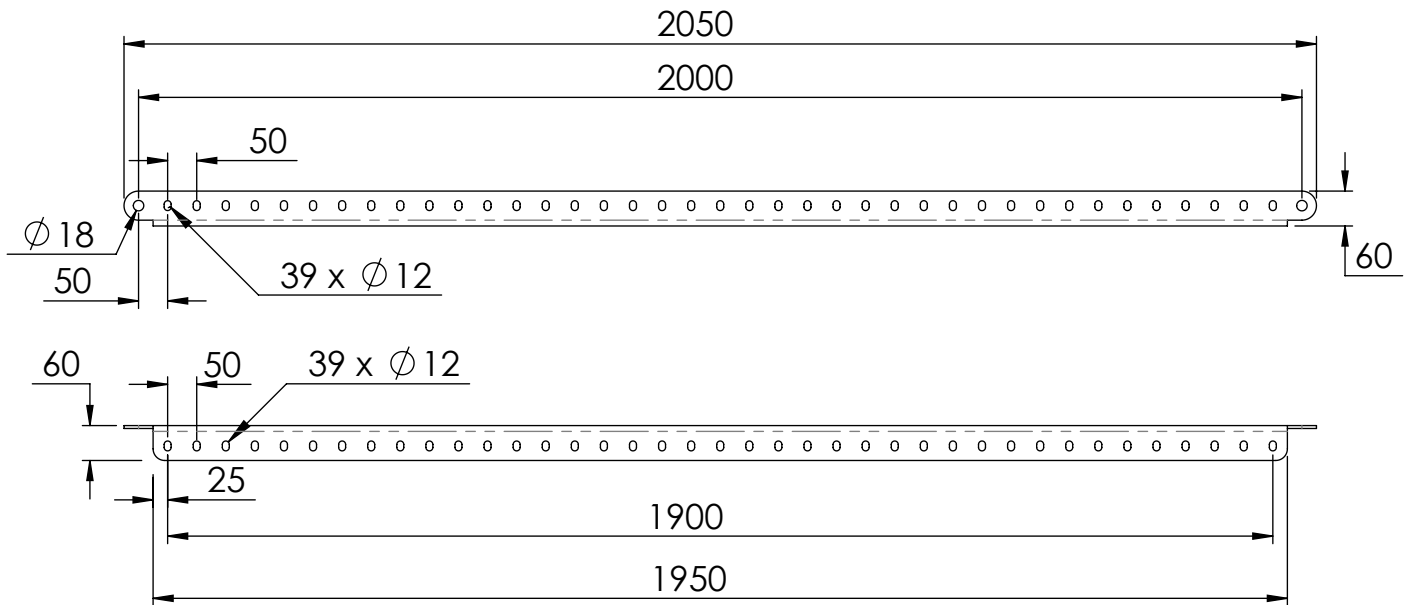
Issue No: 1

# Technical Datasheet No: 0017

HANGAR LINK ARM - 2000MM

Part No: KTLA200010

Short Part No: LA2000



## APPLICATION

Used as part of the hangar assembly.

## COMPONENT SPECIFICATION

Material	MILD STEEL
Finish	HOT DIP GALVANISING TO SIC 109
Weight	8.12

Issue Date: 10/03/2021

Issue No: 1

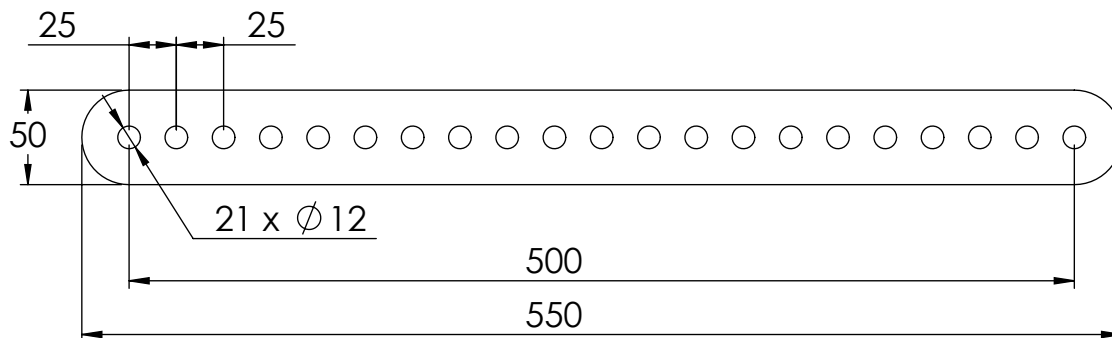
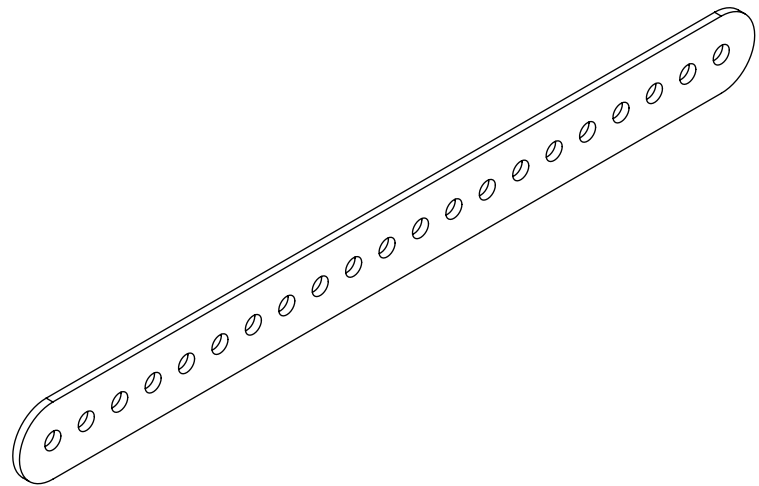


# Technical Datasheet No: 0018

HANGAR LINK ARM BRACE - 500MM

Part No: KTTLA50010

Short Part No: TLA500



## APPLICATION

Used as brace for hangar assemblies on parallel installed system.

## COMPONENT SPECIFICATION

Material	MILD STEEL
Finish	HOT DIP GALVANISING TO SIC 109
Weight	0.96

Issue Date: 10/03/2021

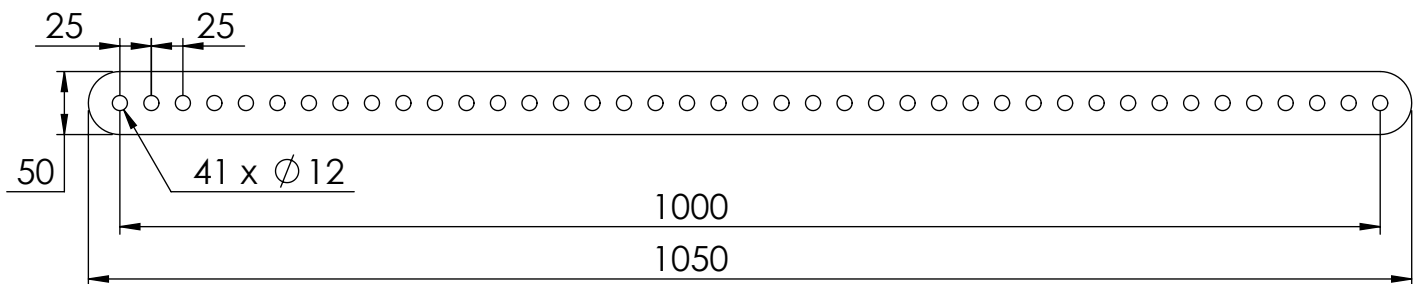
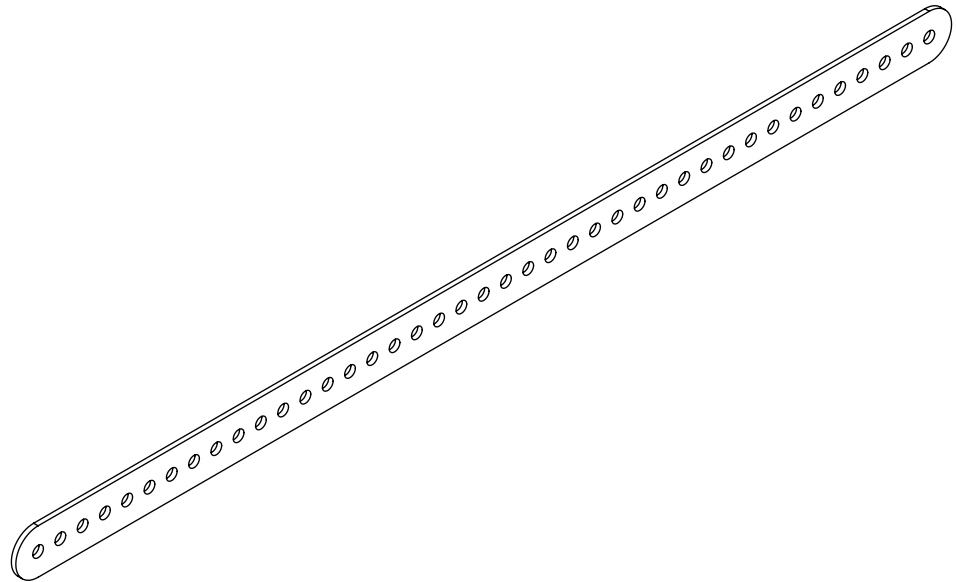
Issue No: 1

# Technical Datasheet No: 0019

HANGAR LINK ARM BRACE - 1000MM

Part No: KTTLA100010

Short Part No: TLA1000



## APPLICATION

Used as brace for hangar assemblies on parallel installed system.

## COMPONENT SPECIFICATION

Material	MILD STEEL
Finish	HOT DIP GALVANISING TO SIC 109
Weight	1.85

Issue Date: 10/03/2021

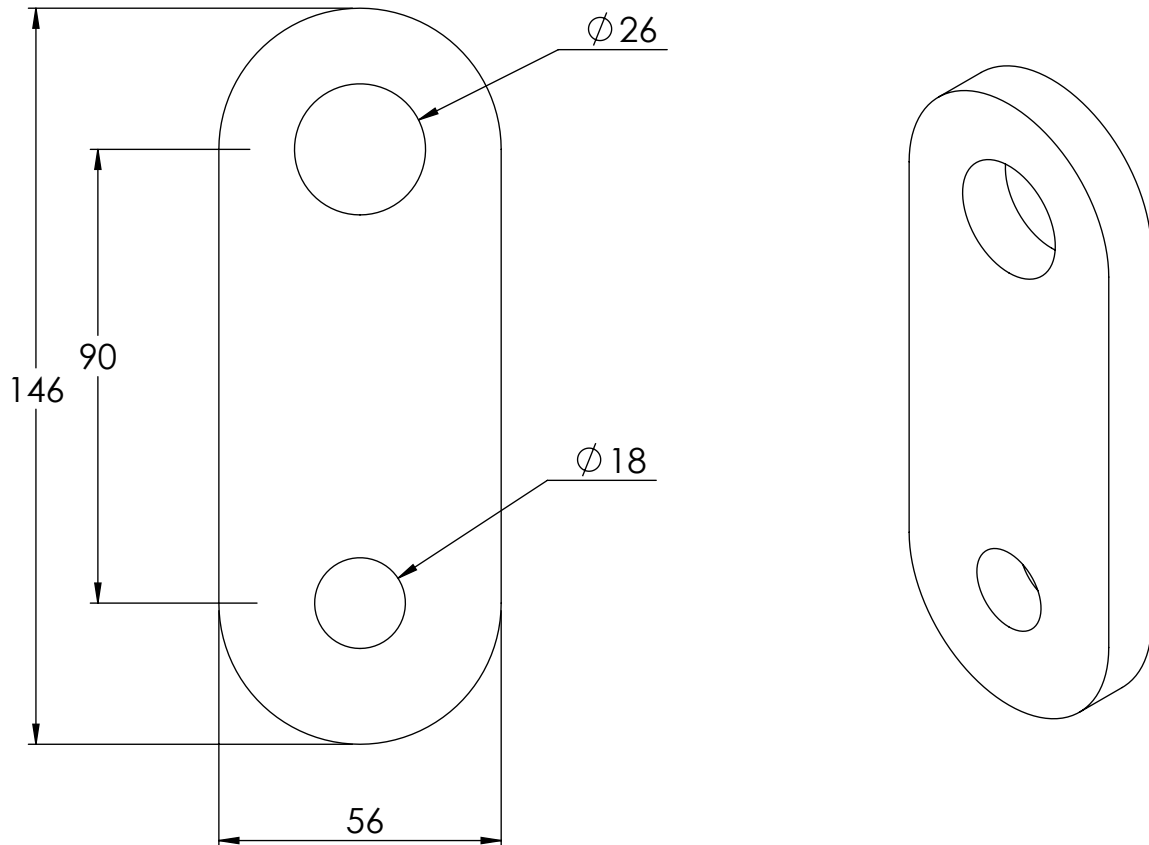
Issue No: 1

# Technical Datasheet No: 0020

TOP FIXING PLATE

Part No: KTTFP00110

Short Part No: TFP001



## APPLICATION

Used on hangar assemblies when fixing to structural steel.

## COMPONENT SPECIFICATION

Material	MILD STEEL
Finish	HOT DIP GALVANISING TO SIC 109
Weight	0.63

Issue Date: 10/03/2021

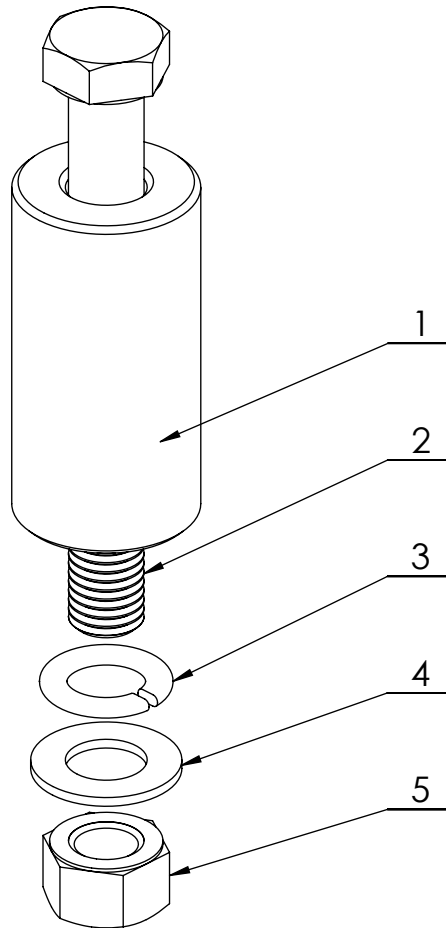
Issue No: 1

# Technical Datasheet No: 0021

END STOP ASSEMBLY

Part No: 10ES600

Short Part No: 10ES600



ITEM NO.	ShortNo	DESCRIPTION	QTY.
1	KTEND	KEE TRACK END STOP BUFFER	1
2	M12X100G	M12 X 100 GALV BOLT	1
3	SPRWASH12G	M12 SPRING WASHER	1
4	M12PWASHG	M12 FLAT WASHER GALV FORM A	1
5	M12PWASHG	M12 GALV NUT	1

## APPLICATION

Used to stop trolley escaping from the rail.

## COMPONENT SPECIFICATION

Material	MILD STEEL GRADE 8.8 / NYLON
Finish	GALVANISED / NATURAL
Weight	0.08

Issue Date: 10/03/2021

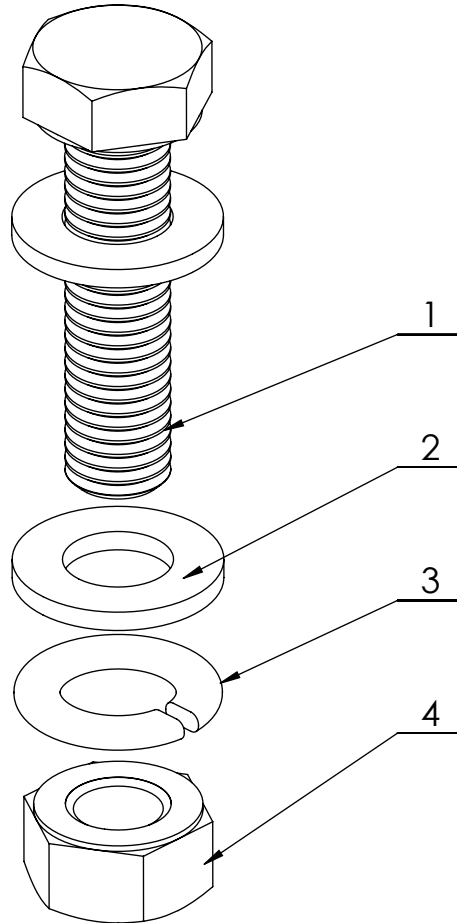
Issue No: 1

# Technical Datasheet No: 0022

M10 HANGING BRACKET FIXING

Part No: 10HB10FP600

Short Part No: 10HB10FP600



ITEM NO.	ShortNo	DESCRIPTION	QTY.
1	M10X40G	M10 X 40 GALV BOLT	1
2	WW1310	M10 PLAIN WASHER - GALV	2
3	WW1320	M10 SPRING WASHER - GALV	1
4	WW1210	M10 PLAIN NUT - GALV	1

## APPLICATION

## COMPONENT SPECIFICATION

Material	MILD STEEL GRADE 8.8
Finish	GALVANISED
Weight	0.05

Issue Date: 10/03/2021

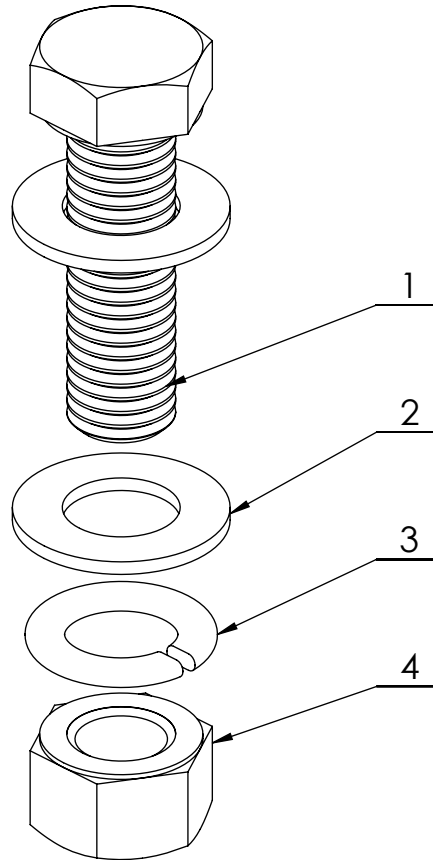
Issue No: 1

# Technical Datasheet No: 0023

M12 HANGING BRACKET FIXING

Part No: 110RC12FP600

Short Part No: 110RC12FP600



ITEM NO.	ShortNo	DESCRIPTION	QTY.
1	M12X40G	M12 X 40 GALV BOLT	1
2	M12PWASHG	M12 FLAT WASHER GALV FORM A	2
3	SPRWASH12G	M12 SPRING WASHER	1
4	M12PWASHG	M12 GALV NUT	1

## APPLICATION

## COMPONENT SPECIFICATION

Material	MILD STEEL GRADE 8.8
Finish	GALVANISED
Weight	0.08

Issue Date: 10/03/2021

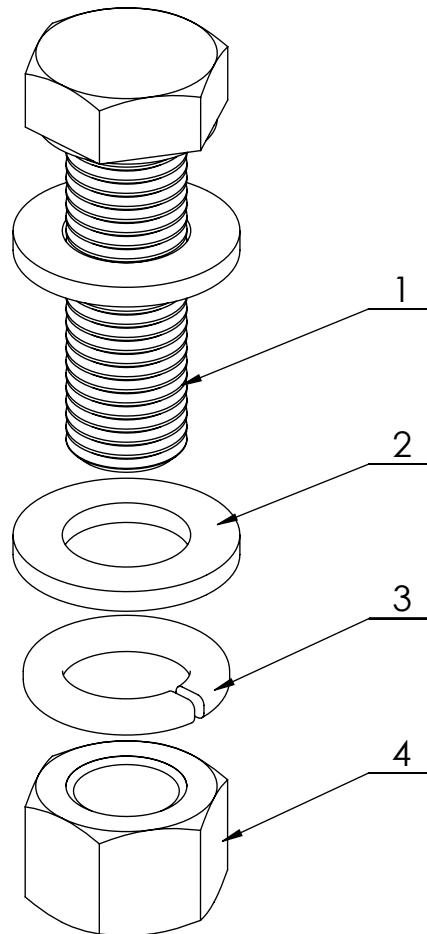
Issue No: 1

# Technical Datasheet No: 0024

M16 HANGING BRACKET FIXING

Part No: 10HB16FP600

Short Part No: 10HB16FP600



ITEM NO.	ShortNo	DESCRIPTION	QTY.
1	M16X50G	M16 X 50 GALV BOLT	1
2	M16PWASHG	M16 PLAIN WASHER - GALV	2
3	M16SWASHG	M16 SPRING WASHER - GALV	1
4	M16NUTG	M16 HEX NUT - GALV	1

## APPLICATION

## COMPONENT SPECIFICATION

Material	MILD STEEL GRADE 8.8
Finish	GALVANISED
Weight	0.18

Issue Date: 10/03/2021

Issue No: 1