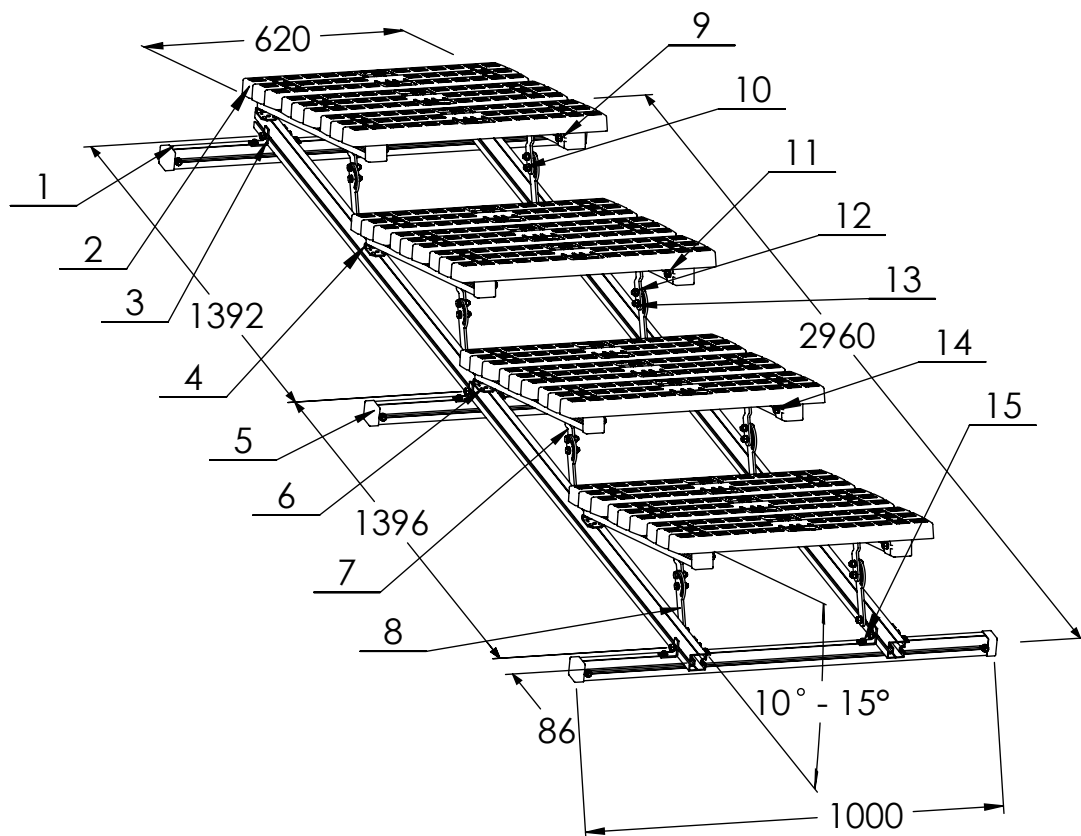




SAFETY AT THE HIGHEST LEVEL

# Kee Walk Technical Datasheet Pack



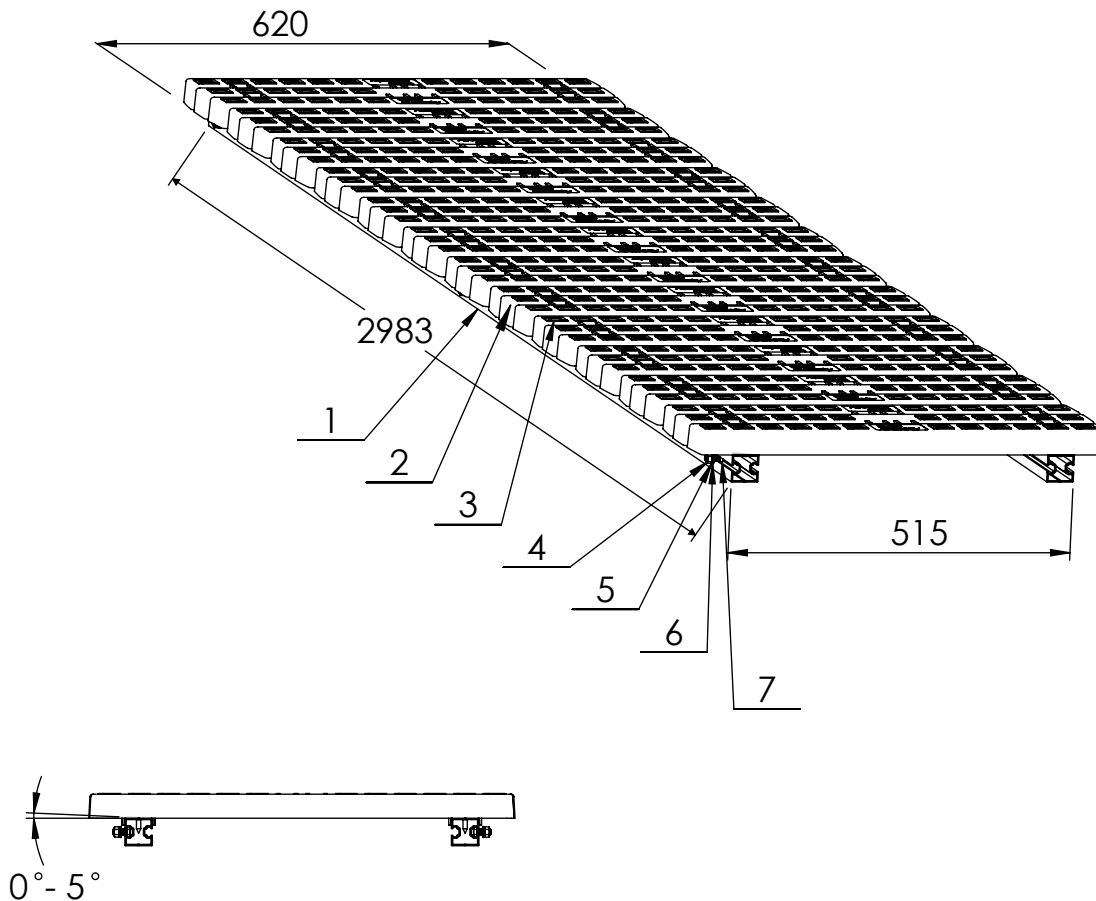
**Revision 9**  
Issued October 2021

# Technical Datasheet No: 0001

KWM1 - 3M TRAVERSE MODULE 0 TO 5 DEG SLOPE

Part No: WW701ASSY

Short Part No: KWM1



For Stainless Steel option KWM1SS (WW801ASSY)

use below fittings:

ITEM 3 - WW6215150 - 6,2dia x 25mm TEK SCREW-A2-70

ITEM 4 - WW2180150 - M8 HEX FULL NUT-A4-70

ITEM 5 - WW3280150 - M8 SPRING WASHER-A4-70

ITEM 6 - WW3180150 - M8 PLAIN WASHER-A4-70

ITEM 7 - WW1120150 - M8x20mm HEX. SCR.-A4-70

ITEM NO.	PART NO.	DESCRIPTION	QTY.
1	WW4040030	WW4040 - EXTRUDED ALUMINIUM BEAM.	2
2	WW1000040	WW1000 - NYLON TREAD	12
3	WW6215110	WW6215 - 6.3 X 25 HEX HD STITCHING SCREW	24
4	WW2180110	WW2180 - M8 HEX HD FULL NUT GR 8,8	6
5	WW3280110	WW3280 - M8 SPRING WASHER TYPE A GALV	6
6	WW3180110	WW3180 - M8 PLAIN WASHER FORM A GALV	6
7	WW1120110	WW1120 - M8 x 20 HEX HD GR 8,8 SET SCREW	6

## APPLICATION

Kee Walk® System provides a safe, anti-slip, level walking surface for means of access to and across roofs. It provides a demarcation route which protects the roof membrane from unnecessary foot traffic and potential damage. Pre-assembled in 3m unit. Hinged bracket at rear. Rotating Cam Arm at front – rotating angle 0° to 5°.

## COMPONENT SPECIFICATION

Material	Aluminium Alloy / High Grade Nylon / Mild Steel
Finish	Aluminium, Nylon - Natural / Sheradised
Weight	25 kg

Issue Date: 12/10/2021

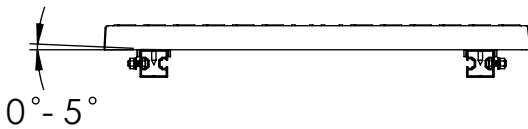
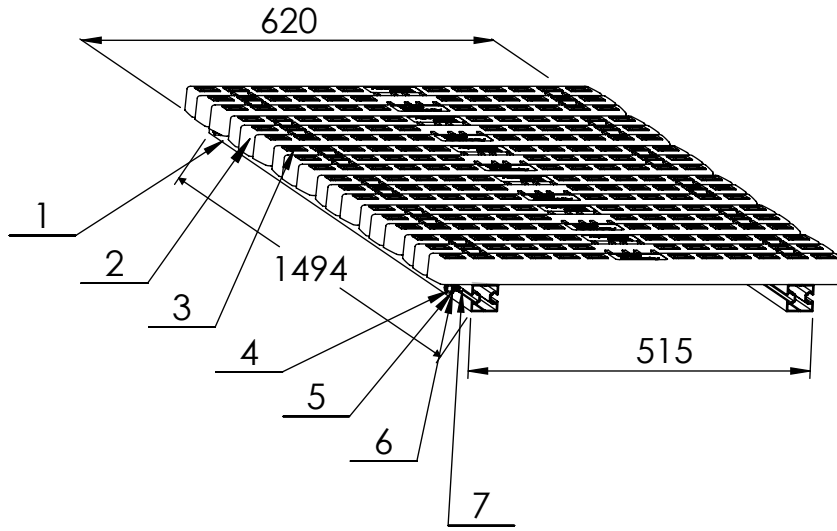
Issue No: 3

# Technical Datasheet No: 0002

KWM2 - 1,5M TRAVERSE MODULE 0 TO 5 DEG SLOPE

Part No: WW702ASSY

Short Part No: KWM2



For Stainless Steel option KWM2SS (WW802ASSY)

use below fittings:

ITEM 3 - WW6215150 - 6,2dia x 25mm TEK SCREW-A2-70

ITEM 4 - WW2180150 - M8 HEX FULL NUT-A4-70

ITEM 5 - WW3280150 - M8 SPRING WASHER-A4-70

ITEM 6 - WW3180150 - M8 PLAIN WASHER-A4-70

ITEM 7 - WW1120150 - M8x20mm HEX. SCR.-A4-70

ITEM NO.	PART NO.	DESCRIPTION	QTY.
1	WW4040030	WW4040 - EXTRUDED ALUMINIUM BEAM.	2
2	WW1000040	WW1000 - NYLON TREAD	6
3	WW6215110	WW6215 - 6.3 X 25 HEX HD STITCHING SCREW	12
4	WW2180110	WW2180 - M8 HEX HD FULL NUT GR 8,8	4
5	WW3280110	WW3280 - M8 SPRING WASHER TYPE A GALV	4
6	WW3180110	WW3180 - M8 PLAIN WASHER FORM A GALV	4
7	WW1120110	WW1120 - M8 x 20 HEX HD GR 8,8 SET SCREW	4

## APPLICATION

Kee Walk® System provides a safe, anti-slip, level walking surface for means of access to and across roofs. It provides a demarcation route which protects the roof membrane from unnecessary foot traffic and potential damage. Pre-assembled in 1,5m unit. Hinged bracket at rear. Rotating Cam Arm at front – rotating angle 0° to 5°.

## COMPONENT SPECIFICATION

Material	Aluminium Alloy / High Grade Nylon / Mild Steel
Finish	Aluminium, Nylon - Natural / Sheradised
Weight	12 kg

Issue Date: 12/10/2021

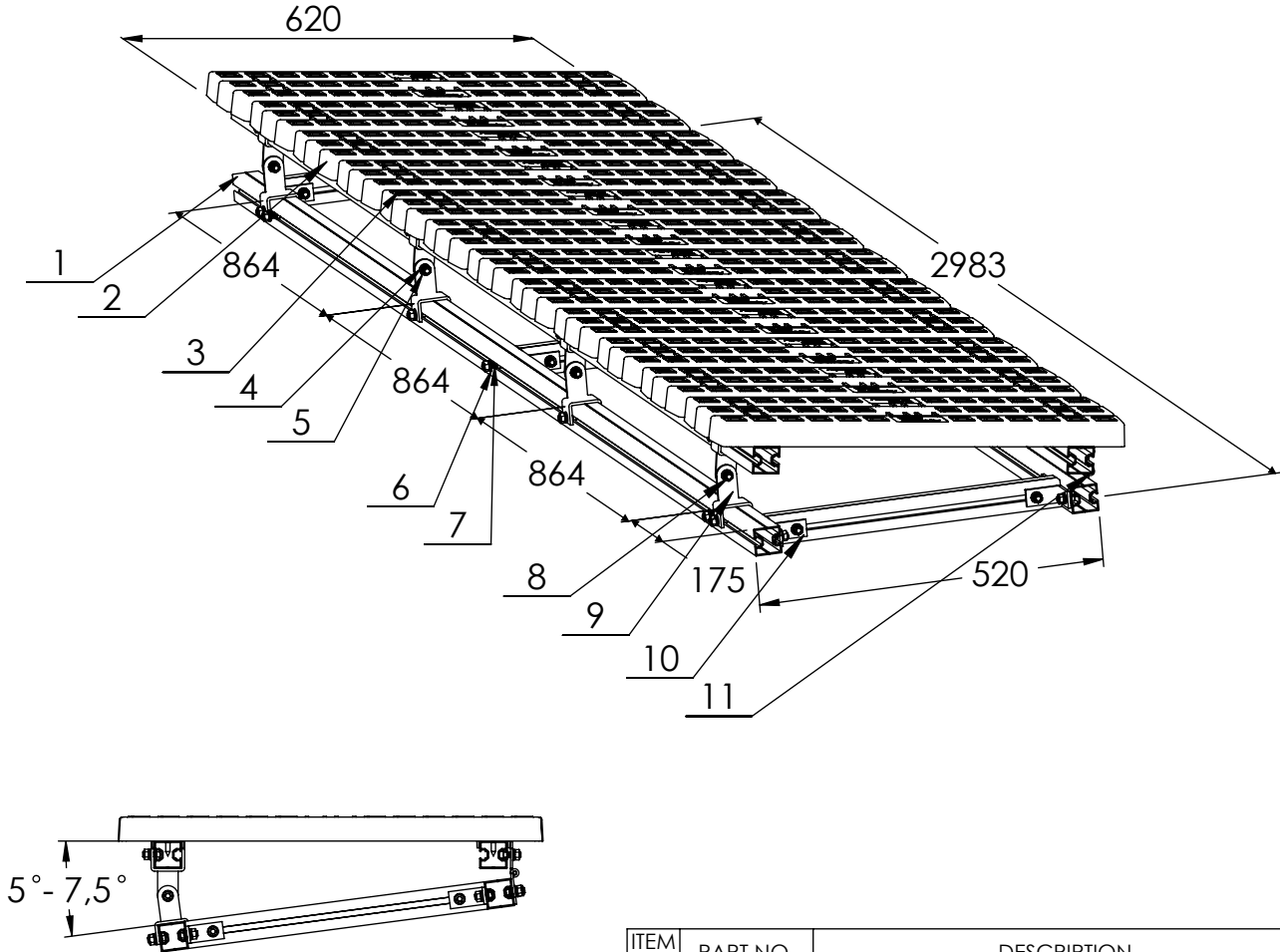
Issue No: 3

# Technical Datasheet No: 0003

KWM3 - 3M TRAVERSE MODULE 5 TO 7,5 DEG SLOPE

Part No: WW703ASSY

Short Part No: KWM3



For Stainless Steel option KWM3SS (WW703ASSY)

use below fittings:

ITEM 3 - WW6215150 - 6,2dia x 25mm TEK SCREW-A2-70

ITEM 4 - WW2180150 - M8 HEX FULL NUT-A4-70

ITEM 5 - WW3280150 - M8 SPRING WASHER-A4-70

ITEM 6 - WW3180150 - M8 PLAIN WASHER-A4-70

ITEM 7 - WW1120150 - M8x20mm HEX. SCR.-A4-70

ITEM 8 - WW1125150 - M8x25mm HEX. SCR.-A4-70

ITEM NO.	PART NO.	DESCRIPTION	QTY.
1	WW4040030	WW4040 - EXTRUDED ALUMINIUM BEAM.	7
2	WW1000040	WW1000 - NYLON TREAD	12
3	WW6215110	WW6215 - 6.3 X 25 HEX HD STITCHING SCREW	24
4	WW2180110	WW2180 - M8 HEX HD FULL NUT GR 8,8	50
5	WW3280110	WW3280 - M8 SPRING WASHER TYPE A GALV	50
6	WW3180110	WW3180 - M8 PLAIN WASHER FORM A GALV	54
7	WW1120110	WW1120 - M8 x 20 HEX HD GR 8,8 SET SCREW	46
8	WW1125110	WW1125 - M8 x 25 HEX HD GR 8,8 SET SCREW	4
9	WW4694010	WW4694 - TRAVERSE SUPPORT PLATE	8
10	WW5353030	WW5353 - ALUMINIUM 90° CONNECTOR	12
11	WW454ASSY	WW454ASSY - HINGE ASSEMBLY	4

## APPLICATION

Kee Walk® System provides a safe, anti-slip, level walking surface for means of access to and across roofs. It provides a demarcation route which protects the roof membrane from unnecessary foot traffic and potential damage. Pre-assembled in 3m unit. Hinged bracket at rear. Rotating Cam Arm at front – rotating angle 5° to 7,5°.

## COMPONENT SPECIFICATION

Material	Aluminium Alloy / High Grade Nylon / Mild Steel
Finish	Aluminium, Nylon - Natural / HDG
Weight	35 kg

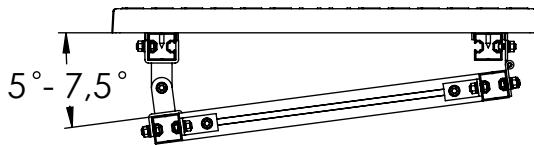
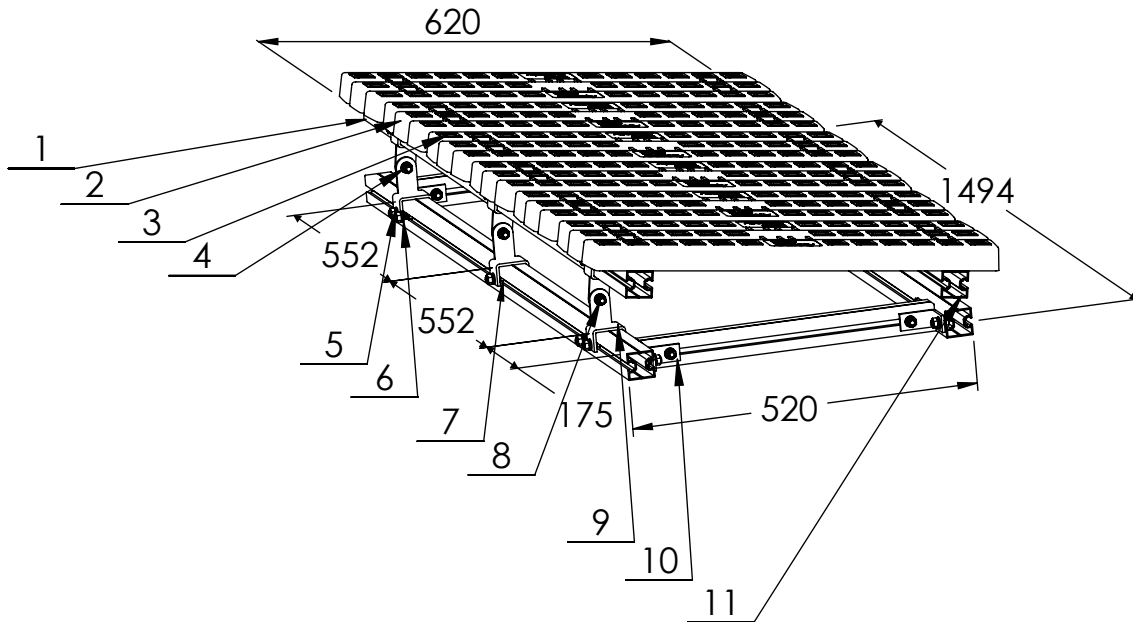


# Technical Datasheet No: 0004

KWM4 - 1,5M TRAVERSE MODULE 5 TO 7,5 DEG SLOPE

Part No: WW704ASSY

Short Part No: KWM4



For Stainless Steel option KWM4SS (WW804ASSY)

use below fittings:

ITEM 3 - WW6215150 - 6,2dia x 25mm TEK SCREW-A2-70

ITEM 4 - WW2180150 - M8 HEX FULL NUT-A4-70

ITEM 5 - WW3280150 - M8 SPRING WASHER-A4-70

ITEM 6 - WW3180150 - M8 PLAIN WASHER-A4-70

ITEM 7 - WW1120150 - M8x20mm HEX. SCR.-A4-70

ITEM 8 - WW1125150 - M8x25mm HEX. SCR.-A4-70

ITEM NO.	PART NO.	DESCRIPTION	QTY.
1	WW4040030	WW4040 - EXTRUDED ALUMINIUM BEAM.	6
2	WW1000040	WW1000 - NYLON TREAD	6
3	WW6215110	WW6215 - 6.3 X 25 HEX HD STITCHING SCREW	12
4	WW2180110	WW2180 - M8 HEX HD FULL NUT GR 8,8	35
5	WW3280110	WW3280 - M8 SPRING WASHER TYPE A GALV	35
6	WW3180110	WW3180 - M8 PLAIN WASHER FORM A GALV	38
7	WW1120110	WW1120 - M8 x 20 HEX HD GR 8,8 SET SCREW	32
8	WW1125110	WW1125 - M8 x 25 HEX HD GR 8,8 SET SCREW	3
9	WW4694010	WW4694 - TRAVERSE SUPPORT PLATE	6
10	WW5353030	WW5353 - ALUMINIUM 90° CONNECTOR	8
11	WW454ASSY	WW454ASSY - HINGE ASSEMBLY	3

## APPLICATION

Kee Walk® System provides a safe, anti-slip, level walking surface for means of access to and across roofs. It provides a demarcation route which protects the roof membrane from unnecessary foot traffic and potential damage. Pre-assembled in 1,5m unit. Hinged bracket at rear. Rotating Cam Arm at front – rotating angle 5° to 7,5°.

## COMPONENT SPECIFICATION

Material	Aluminium Alloy / High Grade Nylon / Mild Steel
Finish	Aluminium, Nylon - Natural / HDG
Weight	18 kg

Issue Date: 12/10/2021

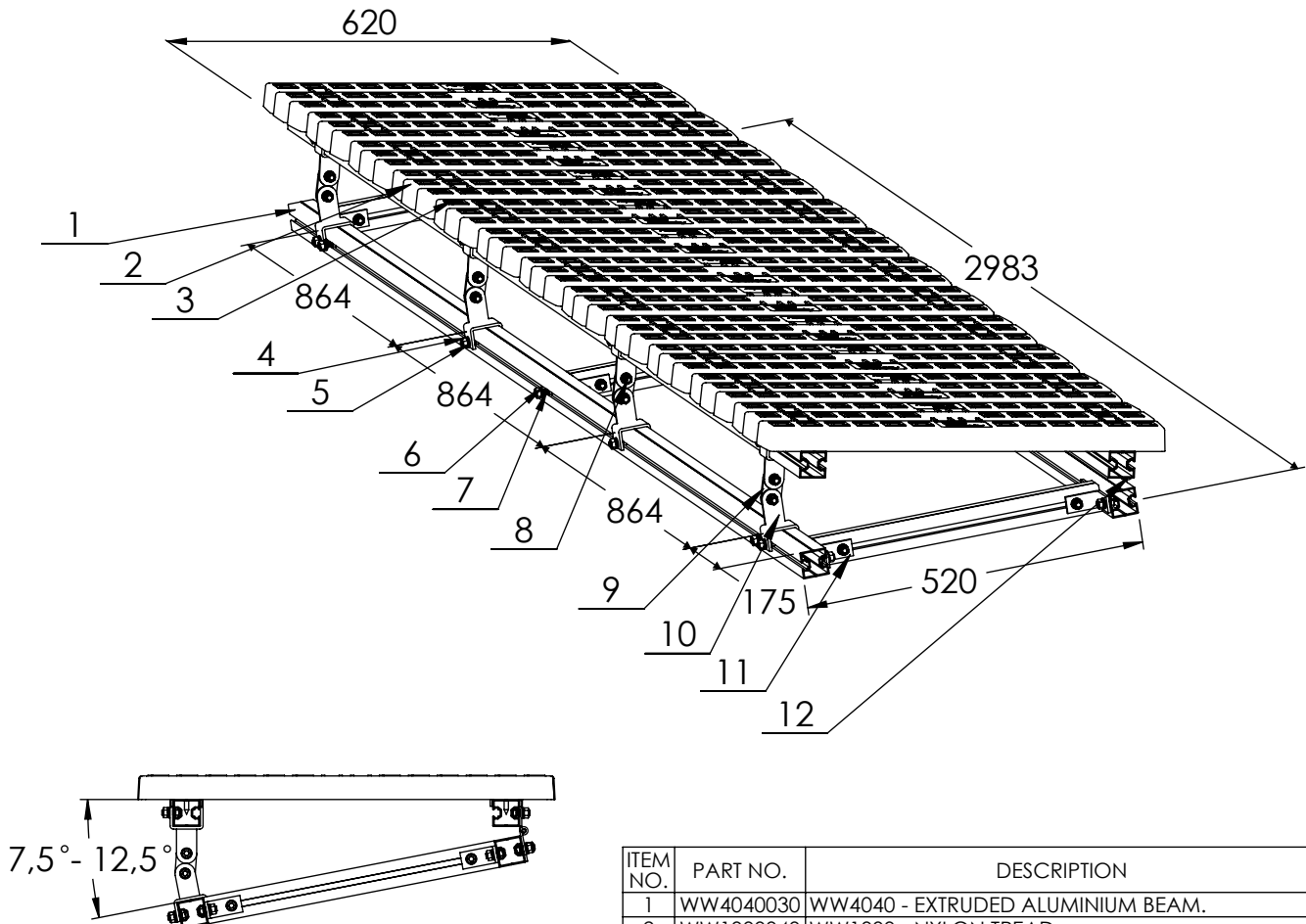
Issue No: 2

# Technical Datasheet No: 0005

KWM5 - 3M TRAVERSE MODULE 7,5 TO 12,5 DEG SLOPE

Part No: WW705ASSY

Short Part No: KWM5



For Stainless Steel option KWM5SS (WW805ASSY)

use below fittings:

ITEM 3 - WW6215150 - 6,2dia x 25mm TEK SCREW-A2-70

ITEM 4 - WW2180150 - M8 HEX FULL NUT-A4-70

ITEM 5 - WW3280150 - M8 SPRING WASHER-A4-70

ITEM 6 - WW3180150 - M8 PLAIN WASHER-A4-70

ITEM 7 - WW1120150 - M8x20mm HEX. SCR.-A4-70

ITEM 8 - WW1125150 - M8x25mm HEX. SCR.-A4-70

ITEM NO.	PART NO.	DESCRIPTION	QTY.
1	WW4040030	WW4040 - EXTRUDED ALUMINIUM BEAM.	7
2	WW1000040	WW1000 - NYLON TREAD	12
3	WW6215110	WW6215 - 6.3 X 25 HEX HD STITCHING SCREW	24
4	WW2180110	WW2180 - M8 HEX HD FULL NUT GR 8,8	54
5	WW3280110	WW3280 - M8 SPRING WASHER TYPE A GALV	54
6	WW3180110	WW3180 - M8 PLAIN WASHER FORM A GALV	62
7	WW1120110	WW1120 - M8 x 20 HEX HD GR 8,8 SET SCREW	46
8	WW1125110	WW1125 - M8 x 25 HEX HD GR 8,8 SET SCREW	8
9	WW3060050	WW3060 - TRAVERSE EXTENSION PLATE FOR 10°-15°	4
10	WW4694010	WW4694 - TRAVERSE SUPPORT PLATE	8
11	WW5353030	WW5353 - ALUMINIUM 90° CONNECTOR	12
12	WW454ASSY	WW454ASSY - HINGE ASSEMBLY	4

## APPLICATION

Kee Walk® System provides a safe, anti-slip, level walking surface for means of access to and across roofs. It provides a demarcation route which protects the roof membrane from unnecessary foot traffic and potential damage. Pre-assembled in 3m unit. Hinged bracket at rear. Rotating Cam Arm at front – rotating angle 7,5° to 12,5°.

## COMPONENT SPECIFICATION

Material	Aluminium Alloy / High Grade Nylon / Mild Steel
Finish	Aluminium, Nylon - Natural / HDG
Weight	36 kg

Issue Date: 12/10/2021

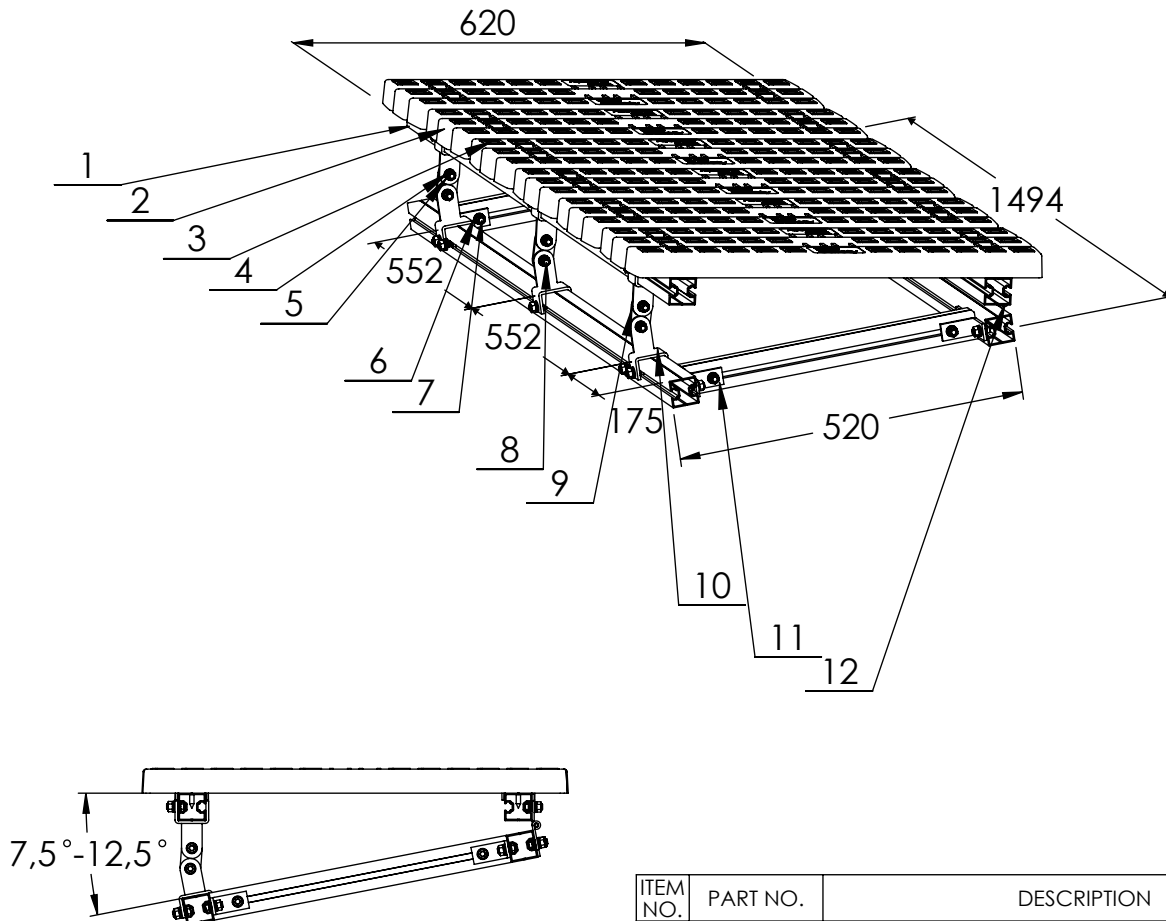
Issue No: 2

# Technical Datasheet No: 0006

KWM6 - 1,5M TRAVERSE MODULE 7,5 TO 12,5 DEG SLOPE

Part No: WW706ASSY

Short Part No: KWM6



For Stainless Steel option KWM6SS (WW806ASSY) use below fittings:

- ITEM 3 - WW6215150 - 6,2dia x 25mm TEK SCREW-A2-70
- ITEM 4 - WW2180150 - M8 HEX FULL NUT-A4-70
- ITEM 5 - WW3280150 - M8 SPRING WASHER-A4-70
- ITEM 6 - WW3180150 - M8 PLAIN WASHER-A4-70
- ITEM 7 - WW1120150 - M8x20mm HEX. SCR.-A4-70
- ITEM 8 - WW1125150 - M8x25mm HEX. SCR.-A4-70

ITEM NO.	PART NO.	DESCRIPTION	QTY.
1	WW4040030	WW4040 - EXTRUDED ALUMINIUM BEAM.	6
2	WW1000040	WW1000 - NYLON TREAD	6
3	WW6215110	WW6215 - 6.3 X 25 HEX HD STITCHING SCREW	12
4	WW2180110	WW2180 - M8 HEX HD FULL NUT GR 8,8	38
5	WW3280110	WW3280 - M8 SPRING WASHER TYPE A GALV	38
6	WW3180110	WW3180 - M8 PLAIN WASHER FORM A GALV	44
7	WW1120110	WW1120 - M8 x 20 HEX HD GR 8,8 SET SCREW	32
8	WW1125110	WW1125 - M8 x 25 HEX HD GR 8,8 SET SCREW	6
9	WW3060050	WW3060 - TRAVERSE EXTENSION PLATE FOR 10°-15°	3
10	WW4694010	WW4694 - TRAVERSE SUPPORT PLATE	6
11	WW5353030	WW5353 - ALUMINIUM 90° CONNECTOR	8
12	WW454ASSY	WW454ASSY - HINGE ASSEMBLY	3

## APPLICATION

Kee Walk® System provides a safe, anti-slip, level walking surface for means of access to and across roofs. It provides a demarcation route which protects the roof membrane from unnecessary foot traffic and potential damage. Pre-assembled in 1,5m unit. Hinged bracket at rear. Rotating Cam Arm at front – rotating angle 7,5° to 12,5°.

## COMPONENT SPECIFICATION

Material	Aluminium Alloy / High Grade Nylon / Mild Steel
Finish	Aluminium, Nylon - Natural / HDG
Weight	19 kg

Issue Date: 12/10/2021

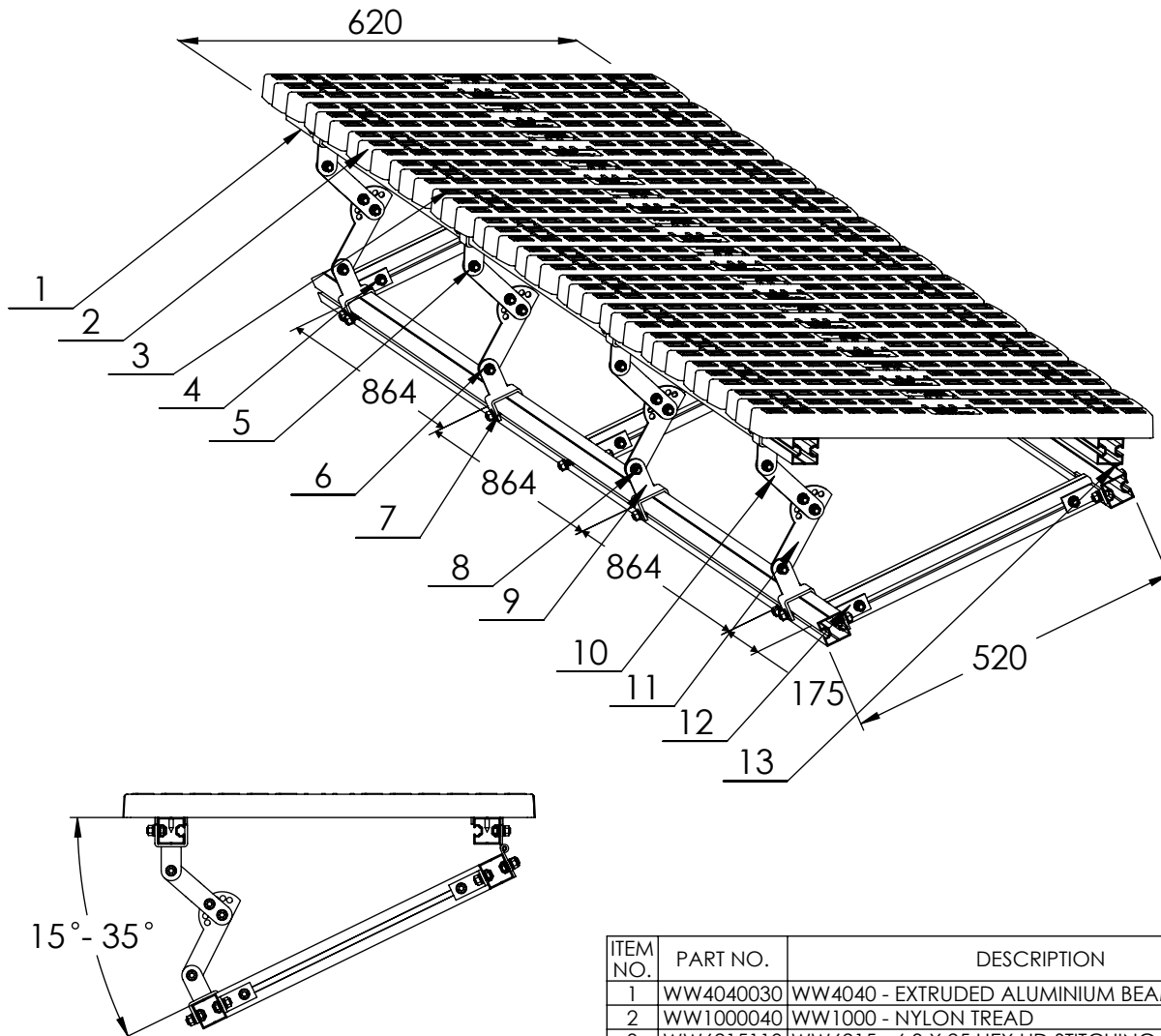
Issue No: 2

# Technical Datasheet No: 0007

KWM7 - 3M TRAVERSE MODULE 15 TO 35 DEG SLOPE

Part No: WW707ASSY

Short Part No: KWM7



For Stainless Steel option KWM7SS (WW807ASSY)

use below fittings:

ITEM 3 - WW6215150 - 6,2dia x 25mm TEK SCREW-A2-70

ITEM 4 - WW2180150 - M8 HEX FULL NUT-A4-70

ITEM 5 - WW3280150 - M8 SPRING WASHER-A4-70

ITEM 6 - WW3180150 - M8 PLAIN WASHER-A4-70

ITEM 7 - WW1120150 - M8x20mm HEX. SCR.-A4-70

ITEM 8 - WW1125150 - M8x25mm HEX. SCR.-A4-70

ITEM NO.	PART NO.	DESCRIPTION	QTY.
1	WW4040030	WW4040 - EXTRUDED ALUMINIUM BEAM.	7
2	WW1000040	WW1000 - NYLON TREAD	12
3	WW6215110	WW6215 - 6.3 X 25 HEX HD STITCHING SCREW	24
4	WW2180110	WW2180 - M8 HEX HD FULL NUT GR 8,8	62
5	WW3280110	WW3280 - M8 SPRING WASHER TYPE A GALV	62
6	WW3180110	WW3180 - M8 PLAIN WASHER FORM A GALV	78
7	WW1120110	WW1120 - M8 x 20 HEX HD GR 8,8 SET SCREW	46
8	WW1125110	WW1125 - M8 x 25 HEX HD GR 8,8 SET SCREW	16
9	WW4694010	WW4694 - TRAVERSE SUPPORT PLATE	8
10	WW3013010	WW3010 - STEP SUPPORT SECONDARY PLATE	4
11	WW3013110	WW3011 - STEP SUPPORT LOCATING PLATE	4
12	WW5353030	WW5353 - ALUMINIUM 90° CONNECTOR	12
13	WW454ASSY	WW454ASSY - HINGE ASSEMBLY	4

## APPLICATION

Kee Walk® System provides a safe, anti-slip, level walking surface for means of access to and across roofs. It provides a demarcation route which protects the roof membrane from unnecessary foot traffic and potential damage. Pre-assembled in 3m unit. Hinged bracket at rear. Rotating Cam Arm at front – rotating angle 15° to 35°.

## COMPONENT SPECIFICATION

Material	Aluminium Alloy / High Grade Nylon / Mild Steel
Finish	Aluminium, Nylon - Natural / HDG
Weight	41 kg

Issue Date: 12/10/2021

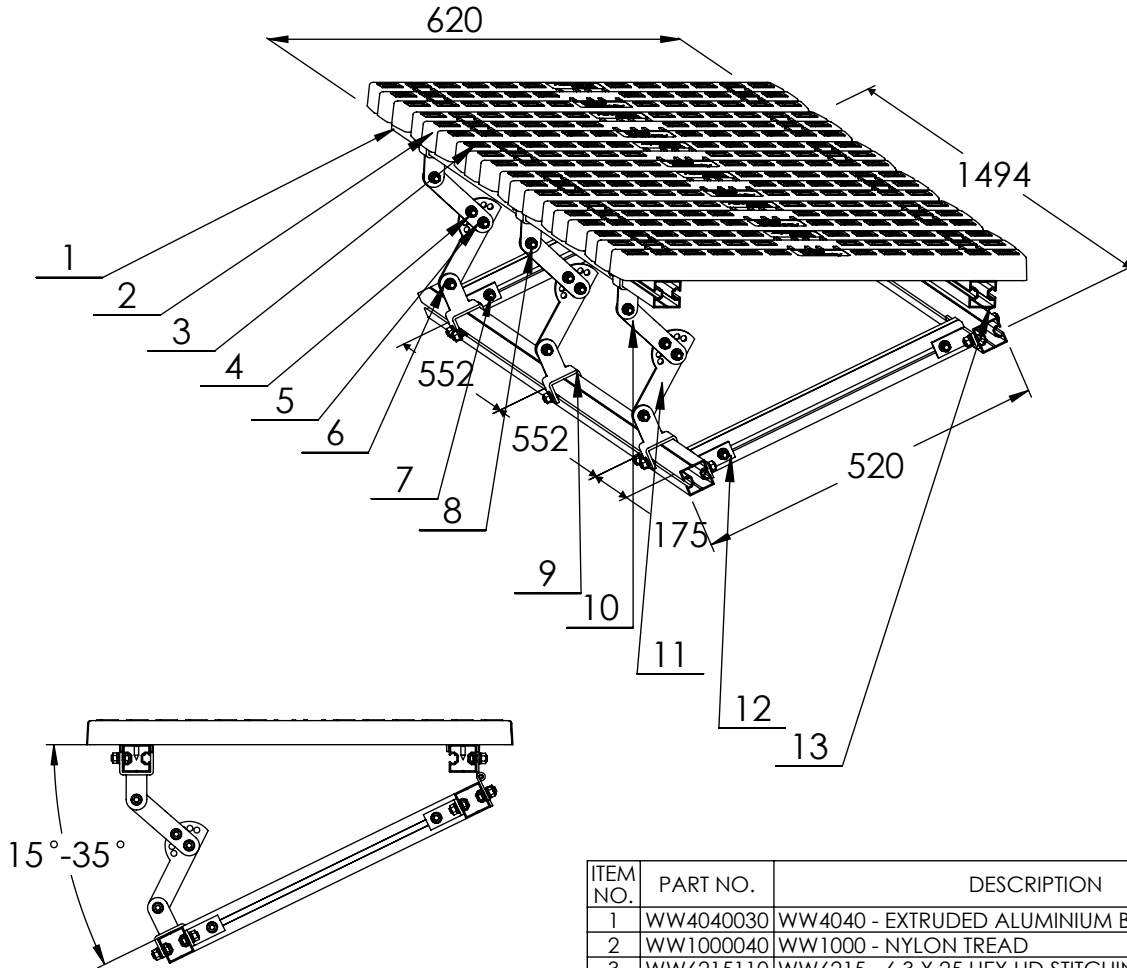
Issue No: 2

# Technical Datasheet No: 0008

KWM8 - 1,5M TRAVERSE MODULE 15 TO 35 DEG SLOPE

Part No: WW708ASSY

Short Part No: KWM8



For Stainless Steel option KWM8SS (WW708ASSY) use below fittings:

- ITEM 3 - WW6215150 - 6,2dia x 25mm TEK SCREW-A2-70
- ITEM 4 - WW2180150 - M8 HEX FULL NUT-A4-70
- ITEM 5 - WW3280150 - M8 SPRING WASHER-A4-70
- ITEM 6 - WW3180150 - M8 PLAIN WASHER-A4-70
- ITEM 7 - WW1120150 - M8x20mm HEX. SCR.-A4-70
- ITEM 8 - WW1125150 - M8x25mm HEX. SCR.-A4-70

ITEM NO.	PART NO.	DESCRIPTION	QTY.
1	WW4040030	WW4040 - EXTRUDED ALUMINIUM BEAM.	6
2	WW1000040	WW1000 - NYLON TREAD	6
3	WW6215110	WW6215 - 6.3 X 25 HEX HD STITCHING SCREW	12
4	WW2180110	WW2180 - M8 HEX HD FULL NUT GR 8,8	44
5	WW3280110	WW3280 - M8 SPRING WASHER TYPE A GALV	44
6	WW3180110	WW3180 - M8 PLAIN WASHER FORM A GALV	56
7	WW1120110	WW1120 - M8 x 20 HEX HD GR 8,8 SET SCREW	32
8	WW1125110	WW1125 - M8 x 25 HEX HD GR 8,8 SET SCREW	12
9	WW4694010	WW4694 - TRAVERSE SUPPORT PLATE	6
10	WW3013010	WW3010 - STEP SUPPORT SECONDARY PLATE	3
11	WW3013110	WW3011 - STEP SUPPORT LOCATING PLATE	3
12	WW5353030	WW5353 - ALUMINIUM 90° CONNECTOR	8
13	WW454ASSY	WW454ASSY - HINGE ASSEMBLY	3

## APPLICATION

Kee Walk® System provides a safe, anti-slip, level walking surface for means of access to and across roofs. It provides a demarcation route which protects the roof membrane from unnecessary foot traffic and potential damage. Pre-assembled in 1,5m unit. Hinged bracket at rear. Rotating Cam Arm at front – rotating angle 15° to 35°.

## COMPONENT SPECIFICATION

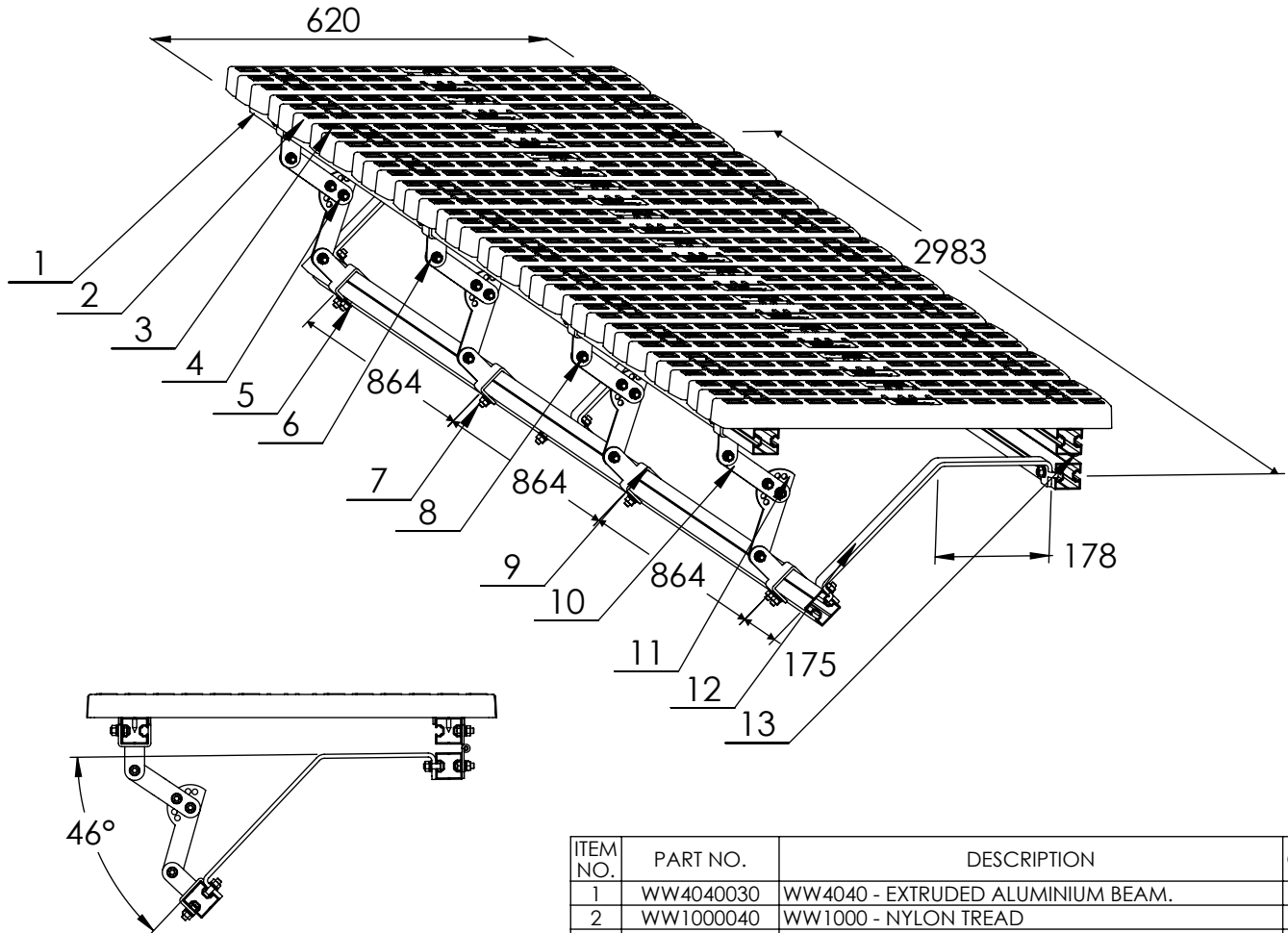
Material	Aluminium Alloy / High Grade Nylon / Mild Steel
Finish	Aluminium, Nylon - Natural / HDG
Weight	22 kg

# Technical Datasheet No: 0009

KWM34 - 3M TRAVERSE MODULE 15 TO 35 DEG SLOPE - FORMED BRACE SPECIAL

Part No: WW734ASSY

Short Part No: KWM34



ITEM NO.	PART NO.	DESCRIPTION	QTY.
1	WW4040030	WW4040 - EXTRUDED ALUMINIUM BEAM.	4
2	WW1000040	WW1000 - NYLON TREAD	12
3	WW6215110	WW6215 - 6.3 X 25 HEX HD STITCHING SCREW	24
4	WW2180110	WW2180 - M8 HEX HD FULL NUT GR 8,8	44
5	WW3280110	WW3280 - M8 SPRING WASHER TYPE A GALV	44
6	WW3180110	WW3180 - M8 PLAIN WASHER FORM A GALV	60
7	WW1120110	WW1120 - M8 x 20 HEX HD GR 8,8 SET SCREW	28
8	WW1125110	WW1125 - M8 x 25 HEX HD GR 8,8 SET SCREW	16
9	WW4694010	WW4694 - TRAVERSE SUPPORT PLATE	8
10	WW3013010	WW3010 - STEP SUPPORT SECONDARY PLATE	4
11	WW3013110	WW3011 - STEP SUPPORT LOCATING PLATE	4
12	WW4006010C	WW4006C - TREAD SUPPORT CRANKED BRACKET	3
13	WW454ASSY	WW454ASSY - HINGE ASSEMBLY	4

For Stainless Steel option KWM34SS (WW834ASSY)

use below fittings:

ITEM 3 - WW6215150 - 6,2dia x 25mm TEK SCREW-A2-70

ITEM 4 - WW2180150 - M8 HEX FULL NUT-A4-70

ITEM 5 - WW3280150 - M8 SPRING WASHER-A4-70

ITEM 6 - WW3180150 - M8 PLAIN WASHER-A4-70

ITEM 7 - WW1120150 - M8x20mm HEX. SCR.-A4-70

ITEM 8 - WW1125150 - M8x25mm HEX. SCR.-A4-70

## APPLICATION

Kee Walk® System provides a safe, anti-slip, level walking surface for means of access to and across roofs. It provides a demarcation route which protects the roof membrane from unnecessary foot traffic and potential damage. Pre-assembled in 3m unit. Hinged bracket at rear. Rotating Cam Arm at front – rotating angle 15° to 35°.

## COMPONENT SPECIFICATION

Material	Aluminium Alloy / High Grade Nylon / Mild Steel
Finish	Aluminium, Nylon - Natural / HDG
Weight	41 kg

Issue Date: 12/10/2021

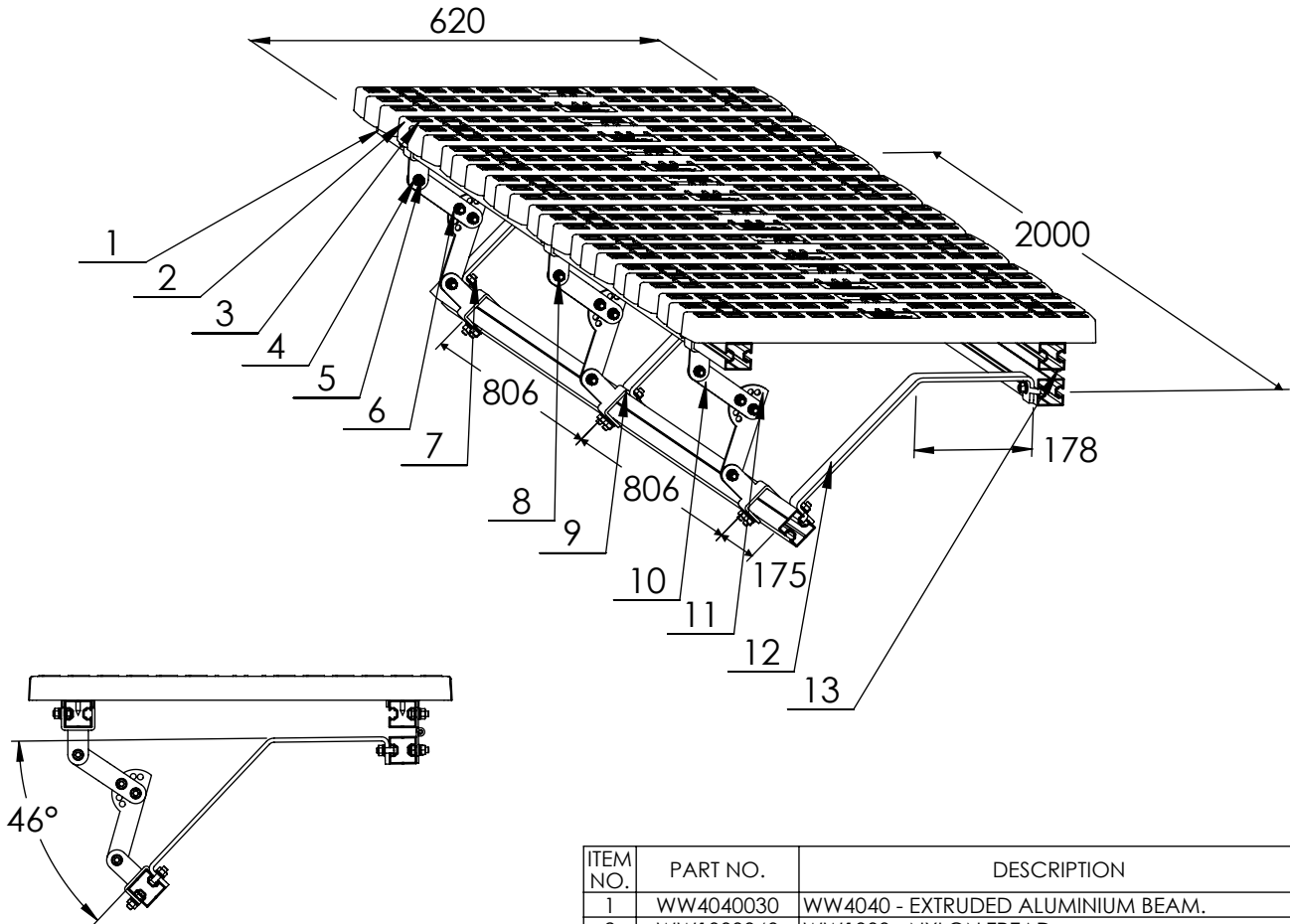
Issue No: 2

# Technical Datasheet No: 0010

KWM35 - 2M TRAVERSE MODULE 15 TO 35 DEG SLOPE - FORMED BRACE SPECIAL

Part No: WW735ASSY

Short Part No: KWM35



For Stainless Steel option KWM35SS (WW835ASSY) use below fittings:

- ITEM 3 - WW6215150 - 6,2dia x 25mm TEK SCREW-A2-70
- ITEM 4 - WW2180150 - M8 HEX FULL NUT-A4-70
- ITEM 5 - WW3280150 - M8 SPRING WASHER-A4-70
- ITEM 6 - WW3180150 - M8 PLAIN WASHER-A4-70
- ITEM 7 - WW1120150 - M8x20mm HEX. SCR.-A4-70
- ITEM 8 - WW1125150 - M8x25mm HEX. SCR.-A4-70

ITEM NO.	PART NO.	DESCRIPTION	QTY.
1	WW4040030	WW4040 - EXTRUDED ALUMINIUM BEAM.	4
2	WW1000040	WW1000 - NYLON TREAD	8
3	WW6215110	WW6215 - 6.3 X 25 HEX HD STITCHING SCREW	16
4	WW2180110	WW2180 - M8 HEX HD FULL NUT GR 8,8	36
5	WW3280110	WW3280 - M8 SPRING WASHER TYPE A GALV	36
6	WW3180110	WW3180 - M8 PLAIN WASHER FORM A GALV	48
7	WW1120110	WW1120 - M8 x 20 HEX HD GR 8,8 SET SCREW	24
8	WW1125110	WW1125 - M8 x 25 HEX HD GR 8,8 SET SCREW	12
9	WW4694010	WW4694 - TRAVERSE SUPPORT PLATE	6
10	WW3013010	WW3010 - STEP SUPPORT SECONDARY PLATE	3
11	WW3013110	WW3011 - STEP SUPPORT LOCATING PLATE	3
12	WW4006010C	WW4006C - TREAD SUPPORT CRANKED BRACKET	3
13	WW454ASSY	WW454ASSY - HINGE ASSEMBLY	3

## APPLICATION

Kee Walk® System provides a safe, anti-slip, level walking surface for means of access to and across roofs. It provides a demarcation route which protects the roof membrane from unnecessary foot traffic and potential damage. Pre-assembled in 2m unit. Hinged bracket at rear. Rotating Cam Arm at front – rotating angle 15° to 35°.

## COMPONENT SPECIFICATION

Material	Aluminium Alloy / High Grade Nylon / Mild Steel
Finish	Aluminium, Nylon - Natural / HDG
Weight	30 kg

Issue Date: 12/10/2021

Issue No: 2

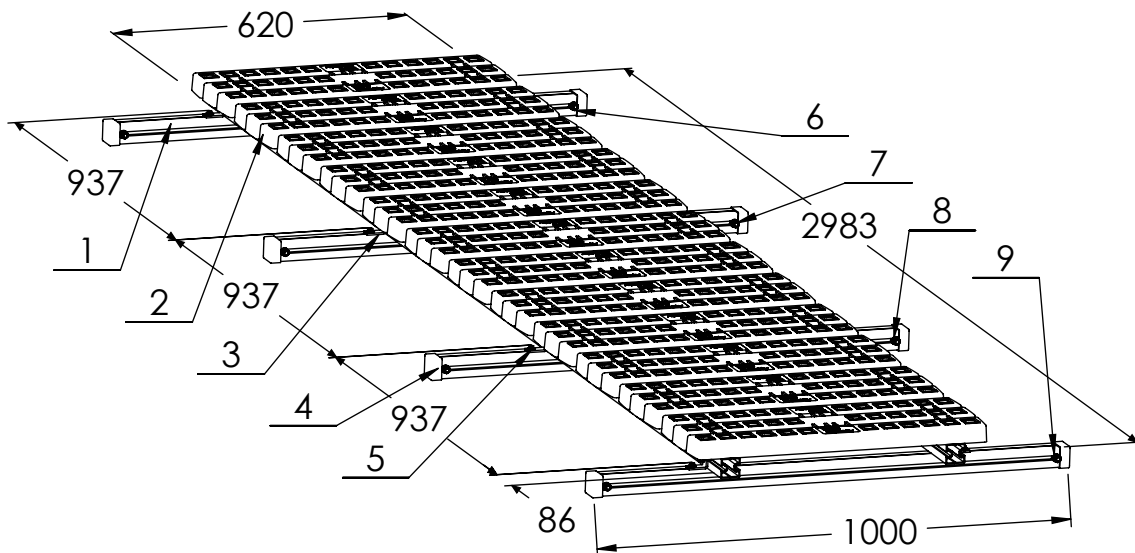


# Technical Datasheet No: 0011

KWM9 - 3M LONGITUDINAL MODULE 0 TO 5 DEG SLOPE

Part No: WW709ASSY

Short Part No: KWM9



For Stainless Steel option KWM9SS (WW809ASSY) use below fittings:

ITEM 5 - WW6215150 - 6,2dia x 25mm TEK SCREW-A2-70

ITEM 6 - WW2180150 - M8 HEX FULL NUT-A4-70

ITEM 7 - WW1120150 - M8x20mm HEX. SCR.-A4-70

ITEM 8 - WW3280150 - M8 SPRING WASHER-A4-70

ITEM 9 - WW3180150 - M8 PLAIN WASHER-A4-70

ITEM NO.	PART NO.	DESCRIPTION	QTY.
1	WW4040030	WW4040 - EXTRUDED ALUMINIUM BEAM.	6
2	WW1000040	WW1000 - NYLON TREAD	12
3	WW3939030	WW3939 - ALUMINIUM RETAINING BRACKET	10
4	WW16258CP	WW16258CP - BLACK VINYL PLASTIC CAP	8
5	WW6215110	WW6215 - 6,3 x 25 HEX HD STITCHING SCREW	34
6	WW2180110	WW2180 - M8 HEX HD FULL NUT GR 8,8	18
7	WW1120110	WW1120 - M8 x 20 HEX HD GR 8,8 SET SCREW	18
8	WW3280110	WW3280 - M8 SPRING WASHER TYPE A GALV	18
9	WW3180110	WW3180 - M8 PLAIN WASHER FORM A GALV	18

## APPLICATION

Kee Walk® System provides a safe, anti-slip, level walking surface for means of access to and across roofs. It provides a demarcation route which protects the roof membrane from unnecessary foot traffic and potential damage. Pre-assembled in 3m unit. Hinged bracket at rear. Rotating Cam Arm at front – rotating angle 0° to 5°.

## COMPONENT SPECIFICATION

Material	Aluminium Alloy / High Grade Nylon / Mild Steel
Finish	Aluminium, Nylon - Natural / Sheradised
Weight	26 kg

Issue Date: 23/06/2017

Issue No: 2

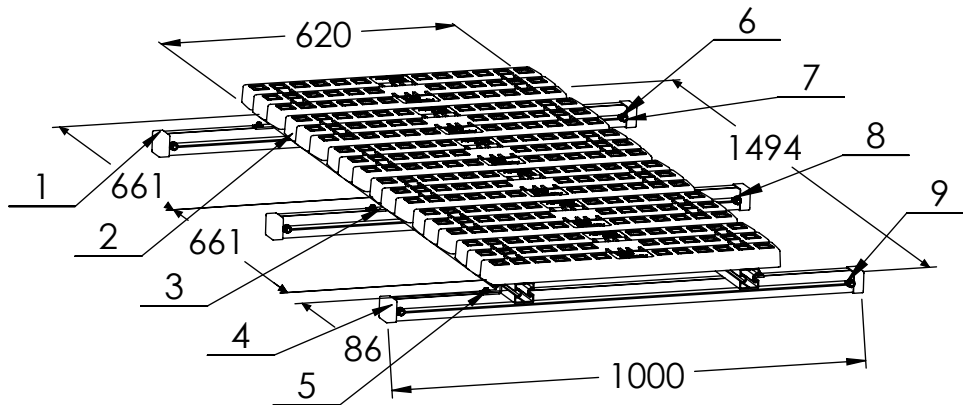


# Technical Datasheet No: 0012

KWM10 - 1,5M LONGITUDINAL MODULE 0 TO 5 DEG SLOPE

Part No: WW710ASSY

Short Part No: KWM10



For Stainless Steel option KWM10SS (WW810ASSY) use below fittings:

ITEM 5 - WW6215150 - 6,2dia x 25mm TEK SCREW-A2-70

ITEM 6 - WW2180150 - M8 HEX FULL NUT-A4-70

ITEM 7 - WW1120150 - M8x20mm HEX. SCR.-A4-70

ITEM 8 - WW3280150 - M8 SPRING WASHER-A4-70

ITEM 9 - WW3180150 - M8 PLAIN WASHER-A4-70

ITEM NO.	PART NO.	DESCRIPTION	QTY.
1	WW4040030	WW4040 - EXTRUDED ALUMINIUM BEAM.	5
2	WW1000040	WW1000 - NYLON TREAD	6
3	WW3939030	WW3939 - ALUMINIUM RETAINING BRACKET	7
4	WW16258CP	WW16258CP - BLACK VINYL PLASTIC CAP	6
5	WW6215110	WW6215 - 6,3 x 25 HEX HD STITCHING SCREW	19
6	WW2180110	WW2180 - M8 HEX HD FULL NUT GR 8,8	13
7	WW1120110	WW1120 - M8 x 20 HEX HD GR 8,8 SET SCREW	13
8	WW3280110	WW3280 - M8 SPRING WASHER TYPE A GALV	13
9	WW3180110	WW3180 - M8 PLAIN WASHER FORM A GALV	13

## APPLICATION

Kee Walk® System provides a safe, anti-slip, level walking surface for means of access to and across roofs. It provides a demarcation route which protects the roof membrane from unnecessary foot traffic and potential damage. Pre-assembled in 1,5m unit. Hinged bracket at rear. Rotating Cam Arm at front – rotating angle 0° to 5°.

## COMPONENT SPECIFICATION

Material	Aluminium Alloy / High Grade Nylon / Mild Steel
Finish	Aluminium, Nylon - Natural / Sheradised
Weight	13 kg

Issue Date: 23/06/2017

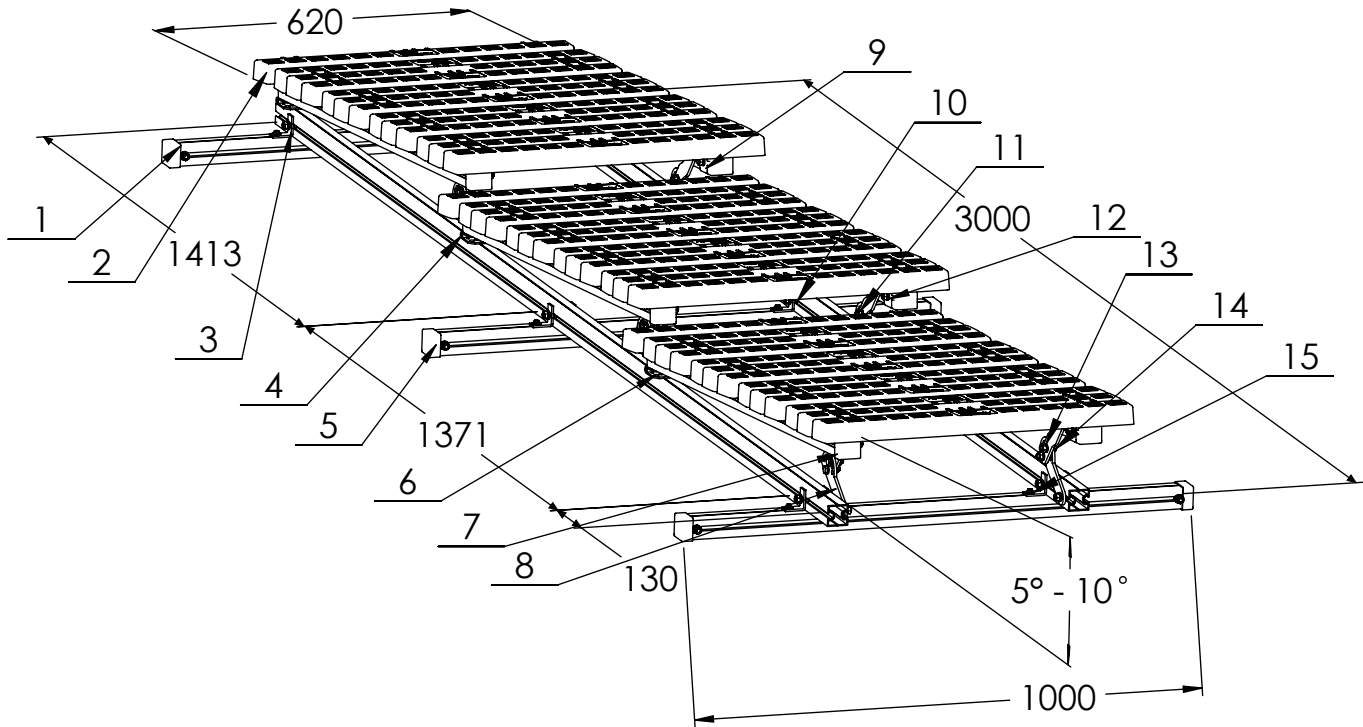
Issue No: 2

# Technical Datasheet No: 0013

KWM11 - 3M STEPS MODULE 5 TO 10 DEG SLOPE

Part No: WW711ASSY

Short Part No: KWM11



ITEM NO.	PART NO.	DESCRIPTION	QTY.
1	WW4040030	WW4040 - EXTRUDED ALUMINIUM BEAM.	11
2	WW1000040	WW1000 - NYLON TREAD	13
3	WW3939030	WW3939 - ALUMINIUM RETAINING BRACKET	12
4	WW454ASSY	WW454ASSY - HINGE ASSEMBLY	6
5	WW16258CP	WW16258CP - BLACK VINYL PLASTIC CAP	12
6	WW4810030	WW4810 - 4.8MM X 10MM DOME HEAD ALUM POP RIVET	24
7	WW3013010	WW3010 - STEP SUPPORT SECONDARY PLATE	6
8	WW3013110	WW3011 - STEP SUPPORT LOCATING PLATE	6
9	WW4006010	WW4006 - TREAD SUPPORT BRACKET	3
10	WW1120110	WW1120 - M8 x 20 HEX HD GR 8,8 SET SCREW	36
11	WW2180110	WW2180 - M8 HEX HD FULL NUT GR 8,8	48
12	WW3180110	WW3180 - M8 PLAIN WASHER FORM A GALV	60
13	WW3280110	WW3280 - M8 SPRING WASHER TYPE A GALV	48
14	WW1125110	WW1125 - M8 x 25 HEX HD GR 8,8 SET SCREW	12
15	WW6215110	WW6215 - 6,3 x 25 HEX HD STITCHING SCREW	42

For Stainless Steel option KWM11SS (WW811ASSY) use below fittings:

ITEM 10 - WW1120150 - M8x20mm HEX. SCR.-A4-70

ITEM 11 - WW2180150 - M8 HEX FULL NUT-A4-70

ITEM 12 - WW3180150 - M8 PLAIN WASHER-A4-70

ITEM 13 - WW3280150 - M8 SPRING WASHER-A4-70

ITEM 14 - WW1125150 - M8x25mm HEX. SCR.-A4-70

ITEM 15 - WW6215150 - 6,2dia x 25mm TEK SCREW-A2-70

## APPLICATION

Kee Walk® System provides a safe, anti-slip, level walking surface for means of access to and across roofs. It provides a demarcation route which protects the roof membrane from unnecessary foot traffic and potential damage. Pre-assembled in 3m unit. Hinged bracket at rear. Rotating Cam Arm at front – rotating angle 5° to 10°.

## COMPONENT SPECIFICATION

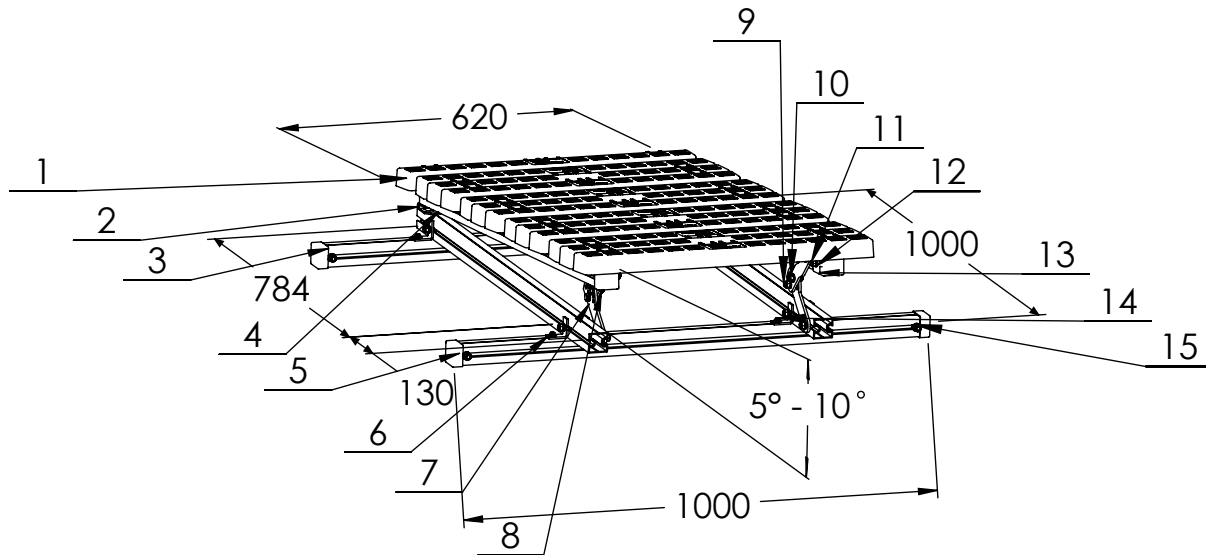
Material	Aluminium Alloy / High Grade Nylon / Mild Steel
Finish	Aluminium, Nylon - Natural / HDG
Weight	40 kg

# Technical Datasheet No: 0014

KWM12 - 1,1M STEPS MODULE 5 TO 10 DEG SLOPE

Part No: WW712ASSY

Short Part No: KWM12



ITEM NO.	PART NO.	DESCRIPTION	QTY.
1	WW1000040	WW1000 - NYLON TREAD	4,33
2	WW454ASSY	WW454ASSY - HINGE ASSEMBLY	2
3	WW4040030	WW4040 - EXTRUDED ALUMINIUM BEAM.	6
4	WW4810030	WW4810 - 4.8MM X 10MM DOME HEAD ALUM POP RIVET	8
5	WW16258CP	WW16258CP - BLACK VINYL PLASTIC CAP	6
6	WW3939030	WW3939 - ALUMINIUM RETAINING BRACKET	8
7	WW3013110	WW3011 - STEP SUPPORT LOCATING PLATE	2
8	WW3013010	WW3010 - STEP SUPPORT SECONDARY PLATE	2
9	WW1125110	WW1125 - M8 x 25 HEX HD GR 8,8 SET SCREW	4
10	WW2180110	WW2180 - M8 HEX HD FULL NUT GR 8,8	22
11	WW1120110	WW1120 - M8 x 20 HEX HD GR 8,8 SET SCREW	18
12	WW3180110	WW3180 - M8 PLAIN WASHER FORM A GALV	26
13	WW4006010	WW4006 - TREAD SUPPORT BRACKET	1
14	WW6215110	WW6215 - 6,3 x 25 HEX HD STITCHING SCREW	18
15	WW3280110	WW3280 - M8 SPRING WASHER TYPE A GALV	22

For Stainless Steel option KWM12SS (WW812ASSY) use below fittings:

ITEM 09 - WW1125150 - M8x25mm HEX. SCR.-A4-70

ITEM 10 - WW2180150 - M8 HEX FULL NUT-A4-70

ITEM 11 - WW1120150 - M8x20mm HEX. SCR.-A4-70

ITEM 12 - WW3180150 - M8 PLAIN WASHER-A4-70

ITEM 14 - WW6215150 - 6,2dia x 25mm TEK SCREW-A2-70

ITEM 15 - WW3280150 - M8 SPRING WASHER-A4-70

## APPLICATION

Kee Walk® System provides a safe, anti-slip, level walking surface for means of access to and across roofs. It provides a demarcation route which protects the roof membrane from unnecessary foot traffic and potential damage. Pre-assembled in 1,1m unit. Hinged bracket at rear. Rotating Cam Arm at front – rotating angle 5° to 10°.

## COMPONENT SPECIFICATION

Material	Aluminium Alloy / High Grade Nylon / Mild Steel
Finish	Aluminium, Nylon - Natural / HDG
Weight	20 kg

Issue Date: 09/06/2017

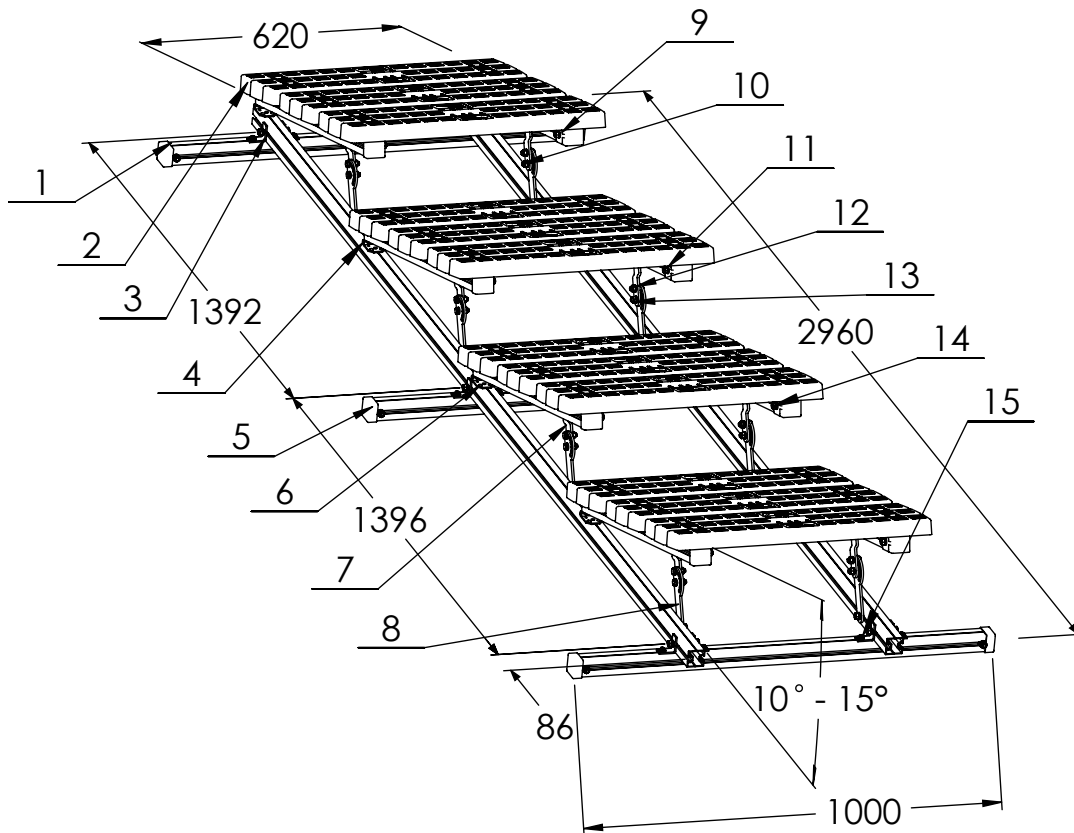
Issue No: 1

# Technical Datasheet No: 0015

KWM13 - 3M STEPS MODULE 10 TO 15 DEG SLOPE

Part No: WW713ASSY

Short Part No: KWM13



ITEM NO.	PART NO.	DESCRIPTION	QTY.
1	WW4040030	WW4040 - EXTRUDED ALUMINIUM BEAM.	13
2	WW1000040	WW1000 - NYLON TREAD	12
3	WW3939030	WW3939 - ALUMINIUM RETAINING BRACKET	12
4	WW454ASSY	WW454ASSY - HINGE ASSEMBLY	8
5	WW16258CP	WW16258CP - BLACK VINYL PLASTIC CAP	14
6	WW4810030	WW4810 - 4.8MM X 10MM DOME HEAD ALUM POP RIVET	32
7	WW3013010	WW3010 - STEP SUPPORT SECONDARY PLATE	8
8	WW3013110	WW3011 - STEP SUPPORT LOCATING PLATE	8
9	WW4006010	WW4006 - TREAD SUPPORT BRACKET	4
10	WW1125110	WW1125 - M8 x 25 HEX HD GR 8,8 SET SCREW	16
11	WW3180110	WW3180 - M8 PLAIN WASHER FORM A GALV	74
12	WW3280110	WW3280 - M8 SPRING WASHER TYPE A GALV	58
13	WW2180110	WW2180 - M8 HEX HD FULL NUT GR 8,8	58
14	WW1120110	WW1120 - M8 x 20 HEX HD GR 8,8 SET SCREW	42
15	WW6215110	WW6215 - 6,3 x 25 HEX HD STITCHING SCREW	36

For Stainless Steel option KWM13SS (WW813ASSY) use below fittings:

ITEM 10 - WW1125150 - M8x25mm HEX. SCR.-A4-70

ITEM 11 - WW3180150 - M8 PLAIN WASHER-A4-70

ITEM 12 - WW3280150 - M8 SPRING WASHER-A4-70

ITEM 13 - WW2180150 - M8 HEX FULL NUT-A4-70

ITEM 14 - WW1120150 - M8x20mm HEX. SCR.-A4-70

ITEM 15 - WW6215150 - 6,2dia x 25mm TEK SCREW-A2-70

## APPLICATION

Kee Walk® System provides a safe, anti-slip, level walking surface for means of access to and across roofs. It provides a demarcation route which protects the roof membrane from unnecessary foot traffic and potential damage. Pre-assembled in 3m unit. Hinged bracket at rear. Rotating Cam Arm at front – rotating angle 10° to 15°.

## COMPONENT SPECIFICATION

Material	Aluminium Alloy / High Grade Nylon / Mild Steel
Finish	Aluminium, Nylon - Natural / HDG
Weight	41 kg

Issue Date: 09/06/2017

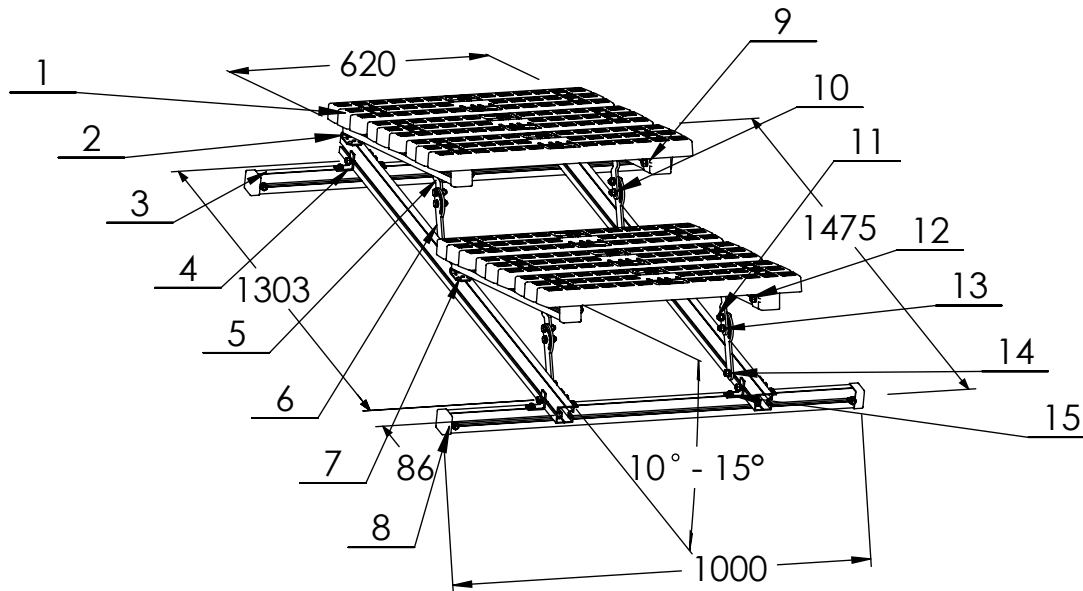
Issue No: 1

# Technical Datasheet No: 0016

KWM14 - 1,1M STEPS MODULE 10 TO 15 DEG SLOPE

Part No: WW714ASSY

Short Part No: KWM14



ITEM NO.	PART NO.	DESCRIPTION	QTY.
1	WW1000040	WW1000 - NYLON TREAD	6
2	WW454ASSY	WW454ASSY - HINGE ASSEMBLY	4
3	WW4040030	WW4040 - EXTRUDED ALUMINIUM BEAM.	8
4	WW3939030	WW3939 - ALUMINIUM RETAINING BRACKET	8
5	WW3013010	WW3010 - STEP SUPPORT SECONDARY PLATE	4
6	WW3013110	WW3011 - STEP SUPPORT LOCATING PLATE	4
7	WW4810030	WW4810 - 4.8MM X 10MM DOME HEAD ALUM POP RIVET	16
8	WW16258CP	WW16258CP - BLACK VINYL PLASTIC CAP	8
9	WW4006010	WW4006 - TREAD SUPPORT BRACKET	2
10	WW2180110	WW2180 - M8 HEX HD FULL NUT GR 8,8	32
11	WW1125110	WW1125 - M8 x 25 HEX HD GR 8,8 SET SCREW	8
12	WW1120110	WW1120 - M8 x 20 HEX HD GR 8,8 SET SCREW	24
13	WW3280110	WW3280 - M8 SPRING WASHER TYPE A GALV	32
14	WW3180110	WW3180 - M8 PLAIN WASHER FORM A GALV	40
15	WW6215110	WW6215 - 6,3 x 25 HEX HD STITCHING SCREW	20

For Stainless Steel option KWM14SS (WW814ASSY) use below fittings:

- ITEM 10 - WW2180150 - M8 HEX FULL NUT-A4-70
- ITEM 11 - WW1125150 - M8x25mm HEX. SCR.-A4-70
- ITEM 12 - WW1120150 - M8x20mm HEX. SCR.-A4-70
- ITEM 13 - WW3280150 - M8 SPRING WASHER-A4-70
- ITEM 14 - WW3180150 - M8 PLAIN WASHER-A4-70
- ITEM 15 - WW6215150 - 6,2dia x 25mm TEK SCREW-A2-70

## APPLICATION

Kee Walk® System provides a safe, anti-slip, level walking surface for means of access to and across roofs. It provides a demarcation route which protects the roof membrane from unnecessary foot traffic and potential damage. Pre-assembled in 1,1m unit. Hinged bracket at rear. Rotating Cam Arm at front – rotating angle 10° to 15°.

## COMPONENT SPECIFICATION

Material	Aluminium Alloy / High Grade Nylon / Mild Steel
Finish	Aluminium, Nylon - Natural / HDG
Weight	22 kg

Issue Date: 09/06/2017

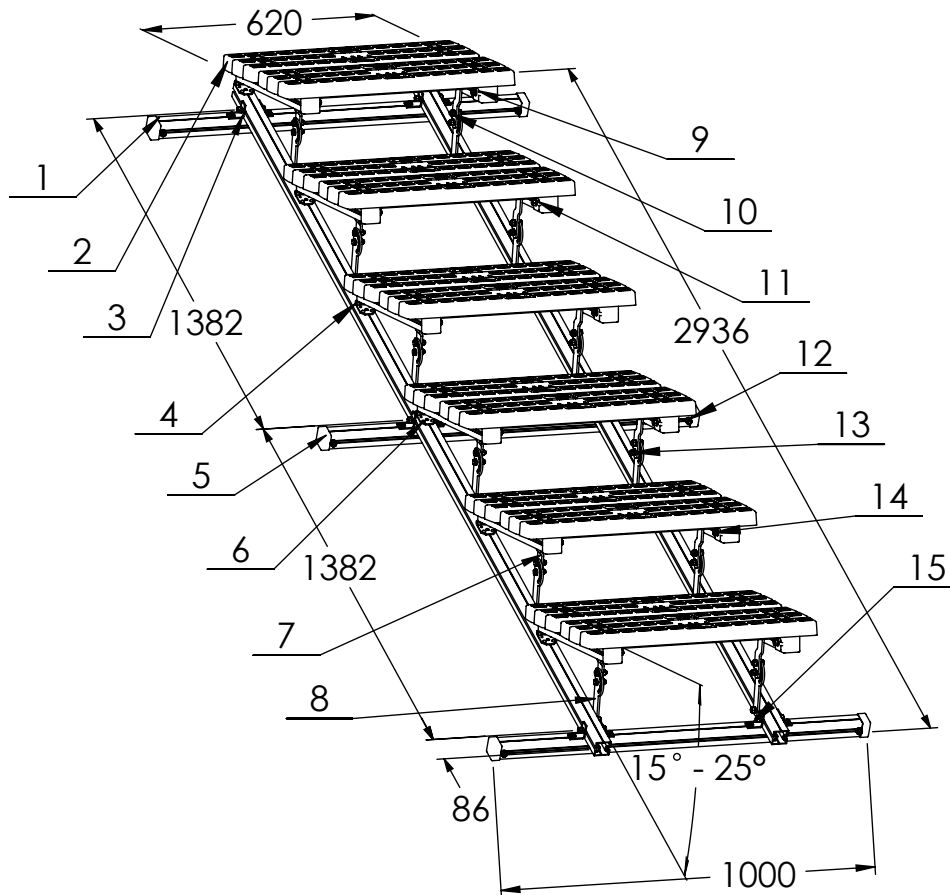
Issue No: 1

# Technical Datasheet No: 0017

KWM15 - 3M STEPS MODULE 15 TO 25 DEG SLOPE

Part No: WW715ASSY

Short Part No: KWM15



ITEM NO.	PART NO.	DESCRIPTION	QTY.
1	WW4040030	WW4040 - EXTRUDED ALUMINIUM BEAM.	17
2	WW1000040	WW1000 - NYLON TREAD	12
3	WW3939030	WW3939 - ALUMINIUM RETAINING BRACKET	12
4	WW454ASSY	WW454ASSY - HINGE ASSEMBLY	12
5	WW16258CP	WW16258CP - BLACK VINYL PLASTIC CAP	18
6	WW4810030	WW4810 - 4.8MM X 10MM DOME HEAD ALUM POP RIVET	48
7	WW3013010	WW3010 - STEP SUPPORT SECONDARY PLATE	12
8	WW3013110	WW3011 - STEP SUPPORT LOCATING PLATE	12
9	WW4006010	WW4006 - TREAD SUPPORT BRACKET	6
10	WW1125110	WW1125 - M8 x 25 HEX HD GR 8,8 SET SCREW	24
11	WW3180110	WW3180 - M8 PLAIN WASHER FORM A GALV	102
12	WW3280110	WW3280 - M8 SPRING WASHER TYPE A GALV	78
13	WW2180110	WW2180 - M8 HEX HD FULL NUT GR 8,8	78
14	WW1120110	WW1120 - M8 x 20 HEX HD GR 8,8 SET SCREW	54
15	WW6215110	WW6215 - 6,3 x 25 HEX HD STITCHING SCREW	36

For Stainless Steel option KWM15SS (WW815ASSY) use below fittings:

ITEM 10 - WW1125150 - M8x25mm HEX. SCR.-A4-70

ITEM 11 - WW3180150 - M8 PLAIN WASHER-A4-70

ITEM 12 - WW3280150 - M8 SPRING WASHER-A4-70

ITEM 13 - WW2180150 - M8 FULL NUT-A4-70

ITEM 14 - WW1120150 - M8x20mm HEX. SCR.-A4-70

ITEM 15 - WW6215150 - 6,2dia x 25mm TEK SCREW-A2-70

## APPLICATION

Kee Walk® System provides a safe, anti-slip, level walking surface for means of access to and across roofs. It provides a demarcation route which protects the roof membrane from unnecessary foot traffic and potential damage. Pre-assembled in 3m unit. Hinged bracket at rear. Rotating Cam Arm at front – rotating angle 15° to 25°.

## COMPONENT SPECIFICATION

Material	Aluminium Alloy / High Grade Nylon / Mild Steel
Finish	Aluminium, Nylon - Natural / HDG
Weight	41 kg

Issue Date: 09/06/2017

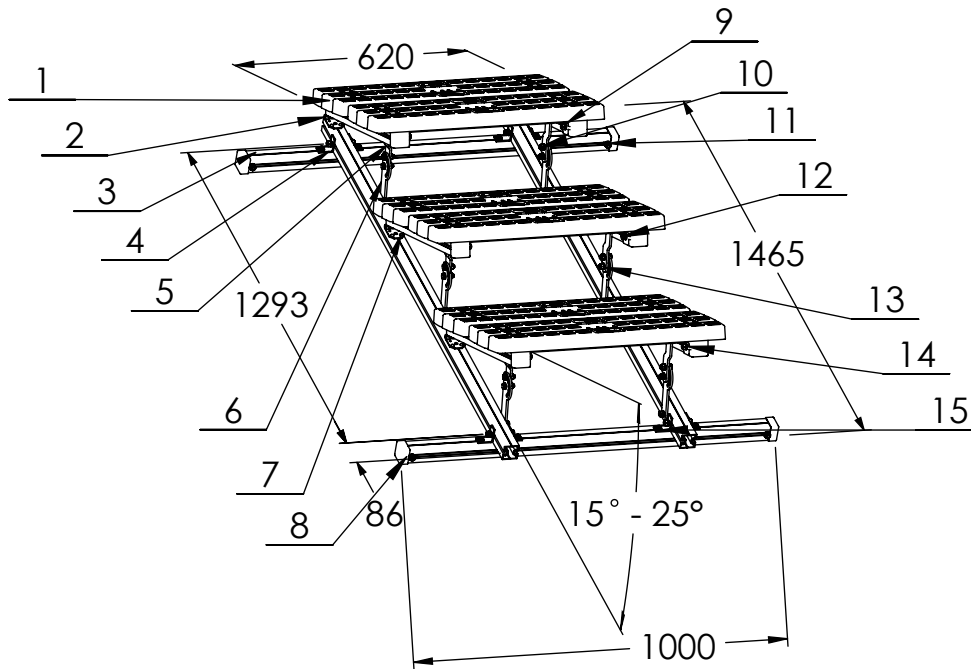
Issue No: 1

# Technical Datasheet No: 0018

KWM16 - 1,1M STEPS MODULE 15 TO 25 DEG SLOPE

Part No: WW716ASSY

Short Part No: KWM16



ITEM NO.	PART NO.	DESCRIPTION	QTY.
1	WW1000040	WW1000 - NYLON TREAD	6
2	WW454ASSY	WW454ASSY - HINGE ASSEMBLY	6
3	WW4040030	WW4040 - EXTRUDED ALUMINIUM BEAM.	10
4	WW3939030	WW3939 - ALUMINIUM RETAINING BRACKET	8
5	WW3013010	WW3010 - STEP SUPPORT SECONDARY PLATE	6
6	WW3013110	WW3011 - STEP SUPPORT LOCATING PLATE	6
7	WW4810030	WW4810 - 4.8MM X 10MM DOME HEAD ALUM POP RIVET	24
8	WW16258CP	WW16258CP - BLACK VINYL PLASTIC CAP	10
9	WW4006010	WW4006 - TREAD SUPPORT BRACKET	3
10	WW1125110	WW1125 - M8 x 25 HEX HD GR 8,8 SET SCREW	12
11	WW2180110	WW2180 - M8 HEX HD FULL NUT GR 8,8	42
12	WW1120110	WW1120 - M8 x 20 HEX HD GR 8,8 SET SCREW	30
13	WW3280110	WW3280 - M8 SPRING WASHER TYPE A GALV	42
14	WW3180110	WW3180 - M8 PLAIN WASHER FORM A GALV	54
15	WW6215110	WW6215 - 6,3 x 25 HEX HD STITCHING SCREW	20

For Stainless Steel option KWM16SS (WW816ASSY) use below fittings:

ITEM 10 - WW1125150 - M8x25mm HEX. SCR.-A4-70

ITEM 11 - WW2180150 - M8 HEX FULL NUT-A4-70

ITEM 12 - WW1120150 - M8x20mm HEX. SCR.-A4-70

ITEM 13 - WW3280150 - M8 SPRING WASHER-A4-70

ITEM 14 - WW3180150 - M8 PLAIN WASHER-A4-70

ITEM 15 - WW6215150 - 6,2dia x 25mm TEK SCREW-A2-70

## APPLICATION

Kee Walk® System provides a safe, anti-slip, level walking surface for means of access to and across roofs. It provides a demarcation route which protects the roof membrane from unnecessary foot traffic and potential damage. Pre-assembled in 1,1m unit. Hinged bracket at rear. Rotating Cam Arm at front – rotating angle 15° to 25°.

## COMPONENT SPECIFICATION

Material	Aluminium Alloy / High Grade Nylon / Mild Steel
Finish	Aluminium, Nylon - Natural / HDG
Weight	22 kg

Issue Date: 09/06/2017

Issue No: 1

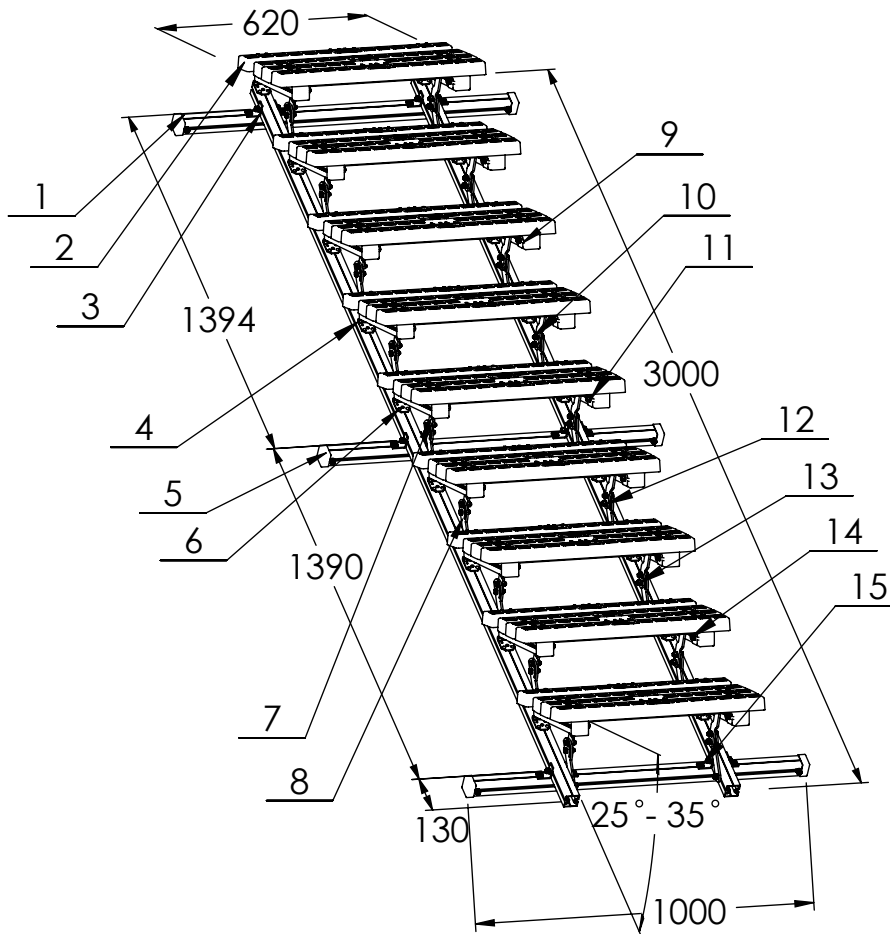


# Technical Datasheet No: 0019

KWM17 - 3M STEPS MODULE 25 TO 35 DEG SLOPE

Part No: WW717ASSY

Short Part No: KWM17



ITEM NO.	PART NO.	DESCRIPTION	QTY.
1	WW4040030	WW4040 - EXTRUDED ALUMINIUM BEAM.	23
2	WW1000040	WW1000 - NYLON TREAD	12
3	WW3939030	WW3939 - ALUMINIUM RETAINING BRACKET	12
4	WW454ASSY	WW454ASSY - HINGE ASSEMBLY	18
5	WW16258CP	WW16258CP - BLACK VINYL PLASTIC CAP	24
6	WW4810030	WW4810 - 4.8MM X 10MM DOME HEAD ALUM POP RIVET	72
7	WW3013010	WW3010 - STEP SUPPORT SECONDARY PLATE	18
8	WW3013110	WW3011 - STEP SUPPORT LOCATING PLATE	18
9	WW4006010	WW4006 - TREAD SUPPORT BRACKET	9
10	WW1125110	WW1125 - M8 x 25 HEX HD GR 8,8 SET SCREW	36
11	WW3180110	WW3180 - M8 PLAIN WASHER FORM A GALV	144
12	WW3280110	WW3280 - M8 SPRING WASHER TYPE A GALV	108
13	WW2180110	WW2180 - M8 HEX HD FULL NUT GR 8,8	108
14	WW1120110	WW1120 - M8 x 20 HEX HD GR 8,8 SET SCREW	72
15	WW6215110	WW6215 - 6,3 x 25 HEX HD STITCHING SCREW	48

For Stainless Steel option KWM17SS (WW817ASSY) use below fittings:

ITEM 10 - WW1125150 - M8x25mm HEX. SCR.-A4-70

ITEM 11 - WW3180150 - M8 PLAIN WASHER-A4-70

ITEM 12 - WW3280150 - M8 SPRING WASHER-A4-70

ITEM 13 - WW2180150 - M8 HEX FULL NUT-A4-70

ITEM 14 - WW1120150 - M8x20mm HEX. SCR.-A4-70

ITEM 15 - WW6215150 - 6,2dia x 25mm TEK SCREW-A2-70

## APPLICATION

Kee Walk® System provides a safe, anti-slip, level walking surface for means of access to and across roofs. It provides a demarcation route which protects the roof membrane from unnecessary foot traffic and potential damage. Pre-assembled in 3m unit. Hinged bracket at rear. Rotating Cam Arm at front – rotating angle 25° to 35°.

## COMPONENT SPECIFICATION

Material	Aluminium Alloy / High Grade Nylon / Mild Steel
Finish	Aluminium, Nylon - Natural / HDG
Weight	41 kg

Issue Date: 09/06/2017

Issue No: 1

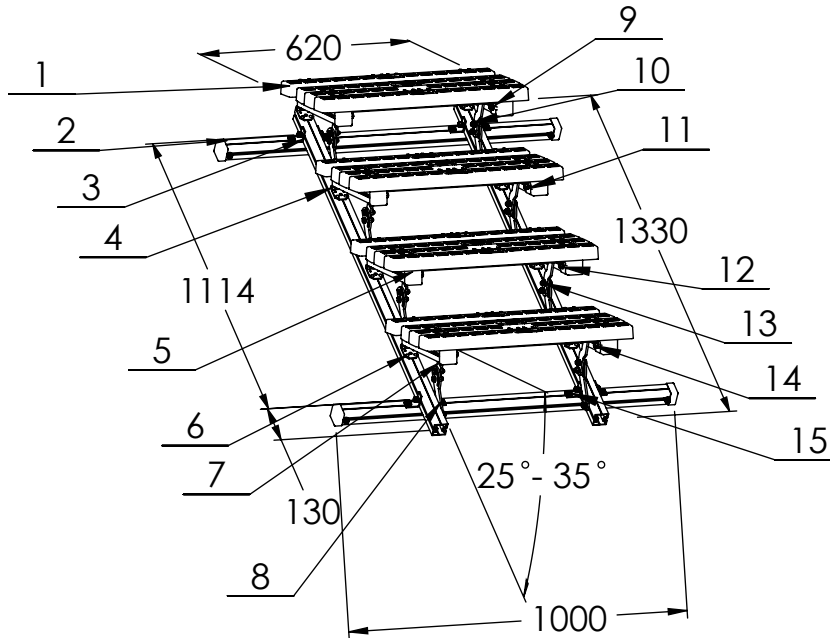


# Technical Datasheet No: 0020

KWM18 - 1,1M STEPS MODULE 25 TO 35 DEG SLOPE

Part No: WW718ASSY

Short Part No: KWM18



ITEM NO.	PART NO.	DESCRIPTION	QTY.
1	WW1000040	WW1000 - NYLON TREAD	5,33
2	WW4040030	WW4040 - EXTRUDED ALUMINIUM BEAM.	12
3	WW3939030	WW3939 - ALUMINIUM RETAINING BRACKET	8
4	WW454ASSY	WW454ASSY - HINGE ASSEMBLY	8
5	WW16258CP	WW16258CP - BLACK VINYL PLASTIC CAP	12
6	WW4810030	WW4810 - 4.8MM X 10MM DOME HEAD ALUM POP RIVET	32
7	WW3013010	WW3010 - STEP SUPPORT SECONDARY PLATE	8
8	WW3013110	WW3011 - STEP SUPPORT LOCATING PLATE	8
9	WW4006010	WW4006 - TREAD SUPPORT BRACKET	4
10	WW1125110	WW1125 - M8 x 25 HEX HD GR 8,8 SET SCREW	16
11	WW3180110	WW3180 - M8 PLAIN WASHER FORM A GALV	68
12	WW3280110	WW3280 - M8 SPRING WASHER TYPE A GALV	52
13	WW2180110	WW2180 - M8 HEX HD FULL NUT GR 8,8	52
14	WW1120110	WW1120 - M8 x 20 HEX HD GR 8,8 SET SCREW	36
15	WW6215110	WW6215 - 6,3 x 25 HEX HD STITCHING SCREW	24

For Stainless Steel option KWM18SS (WW818ASSY) use below fittings:

ITEM 10 - WW1125150 - M8x25mm HEX. SCR.-A4-70

ITEM 11 - WW3180150 - M8 PLAIN WASHER-A4-70

ITEM 12 - WW3280150 - M8 SPRING WASHER-A4-70

ITEM 13 - WW2180150 - M8 HEX FULL NUT-A4-70

ITEM 14 - WW1120150 - M8x20mm HEX. SCR.-A4-70

ITEM 15 - WW6215150 - 6,2dia x 25mm TEK SCREW-A2-70

## APPLICATION

Kee Walk® System provides a safe, anti-slip, level walking surface for means of access to and across roofs. It provides a demarcation route which protects the roof membrane from unnecessary foot traffic and potential damage. Pre-assembled in 1,1m unit. Hinged bracket at rear. Rotating Cam Arm at front – rotating angle 25° to 35°.

## COMPONENT SPECIFICATION

Material	Aluminium Alloy / High Grade Nylon / Mild Steel
Finish	Aluminium, Nylon - Natural / HDG
Weight	22 kg

Issue Date: 09/06/2017

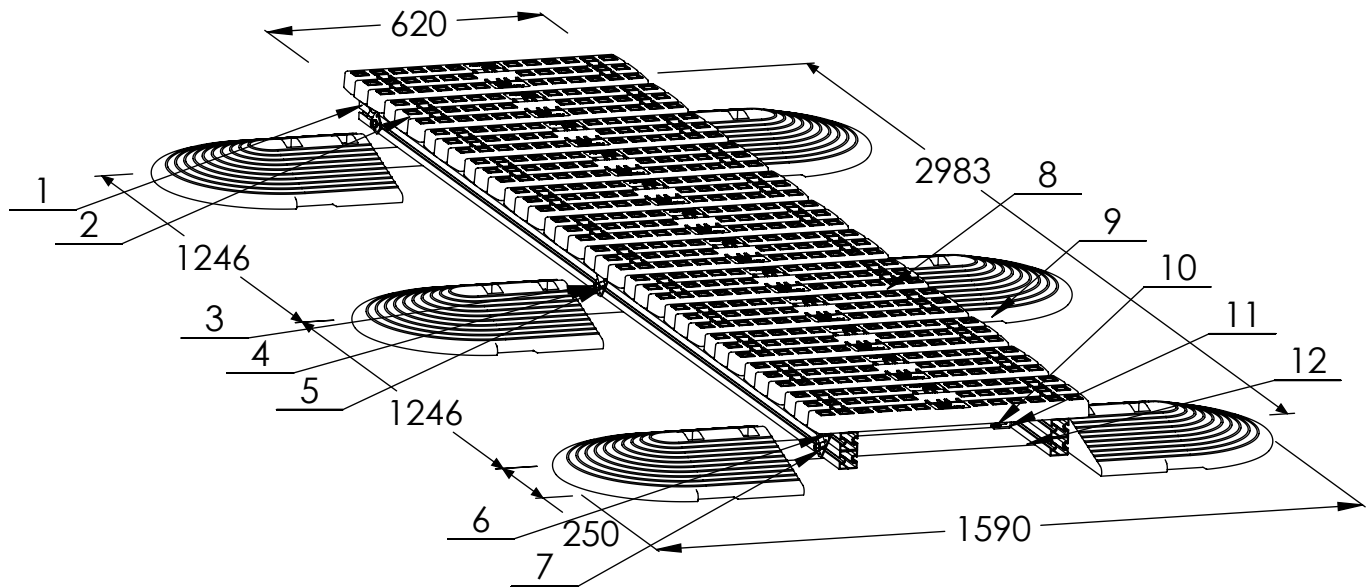
Issue No: 1

# Technical Datasheet No: 0021

KWM19 - 3M FREE STANDING MODULE 75 MPH VERSION

Part No: WW719ASSY

Short Part No: KWM19



For Stainless Steel option KWM19SS (WW819ASSY)

use below fittings:

ITEM 3 - WW1120150 - M8x20mm HEX. SCR.-A4-70

ITEM 4 - WW2180150 - M8 HEX FULL NUT-A4-70

ITEM 6 - WW3280150 - M8 SPRING WASHER-A4-70

ITEM 7 - WW3180150 - M8 PLAIN WASHER-A4-70

ITEM 10 - WW6215150 - 6,2dia x 25mm TEK SCREW-A2-70

ITEM NO.	PART NO.	DESCRIPTION	QTY.
1	WW4040030	WW4040 - EXTRUDED ALUMINIUM BEAM.	4
2	WW1000040	WW1000 - NYLON TREAD	12
3	WW1120110	WW1120 - M8 x 20 HEX HD GR 8,8 SET SCREW	18
4	WW2180110	WW2180 - M8 HEX HD FULL NUT GR 8,8	18
5	WW454ASSY	WW454ASSY - HINGE ASSEMBLY	6
6	WW3280110	WW3280 - M8 SPRING WASHER TYPE A GALV	18
7	WW3180110	WW3180 - M8 PLAIN WASHER FORM A GALV	18
8	007470010	74-7 COLLAR	6
9	044070180	440-7 KG-UPVC WEIGHT	6
10	WW6215110	WW6215 - 6,3 x 25 HEX HD STITCHING SCREW	30
11	WW3939030	WW3939 - ALUMINIUM RETAINING BRACKET	6
12	TUBE SIZE 7	Ø 42,4 x 3,2 GALV TUBE @ 1080	3

## APPLICATION

Kee Walk® System provides a safe, anti-slip, level walking surface for means of access to and across roofs. It provides a demarcation route which protects the roof membrane from unnecessary foot traffic and potential damage. Pre-assembled in 3m unit.

## COMPONENT SPECIFICATION

Material	Aluminium Alloy / High Grade Nylon / PVC / Mild Steel
Finish	Aluminium, Nylon, PVC - Natural / HDG
Weight	128 kg

Issue Date: 09/06/2017

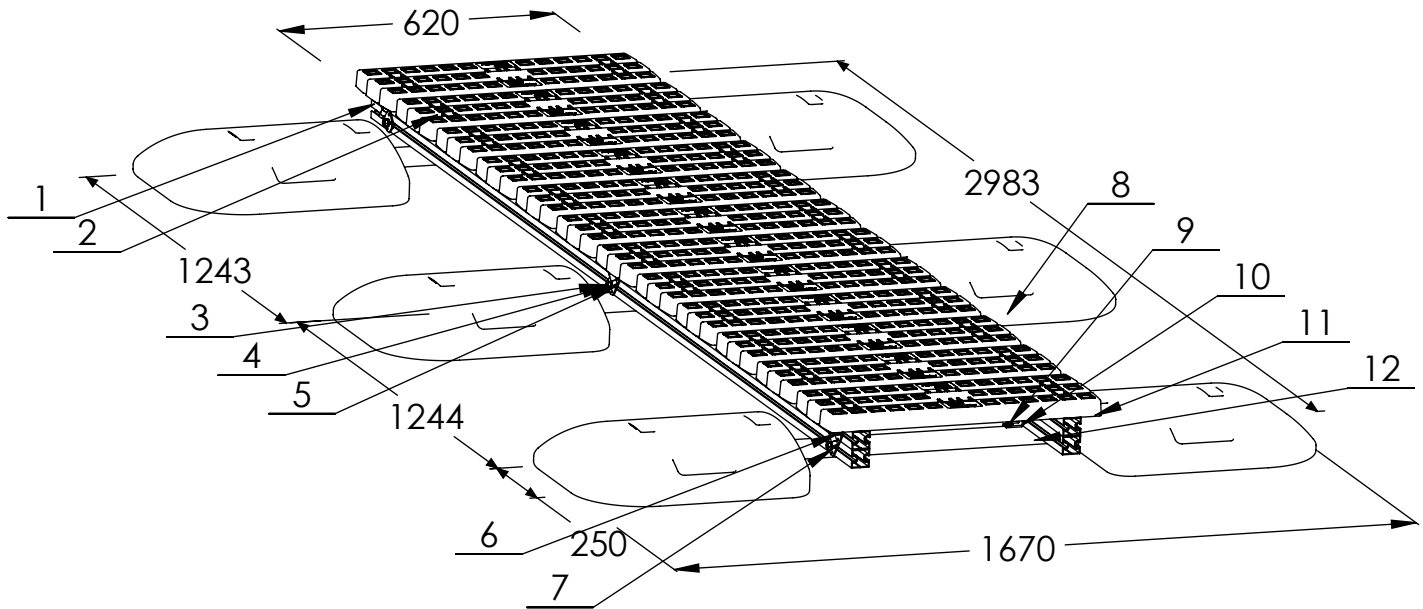
Issue No: 1

# Technical Datasheet No: 0022

KWM20 - 3M FREE STANDING MODULE 95 MPH VERSION

Part No: WW720ASSY

Short Part No: KWM20



For Stainless Steel option KWM20SS (WW821ASSY) use below fittings:

ITEM 3 - WW1120150 - M8x20mm HEX. SCR.-A4-70

ITEM 4 - WW2180150 - M8 HEX FULL NUT-A4-70

ITEM 6 - WW3280150 - M8 SPRING WASHER-A4-70

ITEM 7 - WW3180150 - M8 PLAIN WASHER-A4-70

ITEM 9 - WW6215150 - 6,2dia x 25mm TEK SCREW-A2-70

ITEM NO.	PART NO.	DESCRIPTION	QTY.
1	WW4040030	WW4040 - EXTRUDED ALUMINIUM BEAM.	4
2	WW1000040	WW1000 - NYLON TREAD	12
3	WW1120110	WW1120 - M8 x 20 HEX HD GR 8,8 SET SCREW	18
4	WW2180110	WW2180 - M8 HEX HD FULL NUT GR 8,8	18
5	WW454ASSY	WW454ASSY - HINGE ASSEMBLY	6
6	WW3280110	WW3280 - M8 SPRING WASHER TYPE A GALV	18
7	WW3180110	WW3180 - M8 PLAIN WASHER FORM A GALV	18
8	RE11P40	DEFENDER ROOF EDGE COUNTERWEIGHT	6
9	WW6215110	WW6215 - 6,3 x 25 HEX HD STITCHING SCREW	30
10	WW3939030	WW3939 - ALUMINIUM RETAINING BRACKET	6
11	007570010	75-7 COLLAR	6
12	TUBE SIZE 7	Ø 42,4 x 3,2 GALV TUBE @ 1300	3

## APPLICATION

Kee Walk® System provides a safe, anti-slip, level walking surface for means of access to and across roofs. It provides a demarcation route which protects the roof membrane from unnecessary foot traffic and potential damage. Pre-assembled in 3m unit.

## COMPONENT SPECIFICATION

Material	Aluminium Alloy / High Grade Nylon / PVC / Mild Steel
Finish	Aluminium, Nylon, PVC - Natural / HDG
Weight	204 kg

Issue Date: 09/06/2017

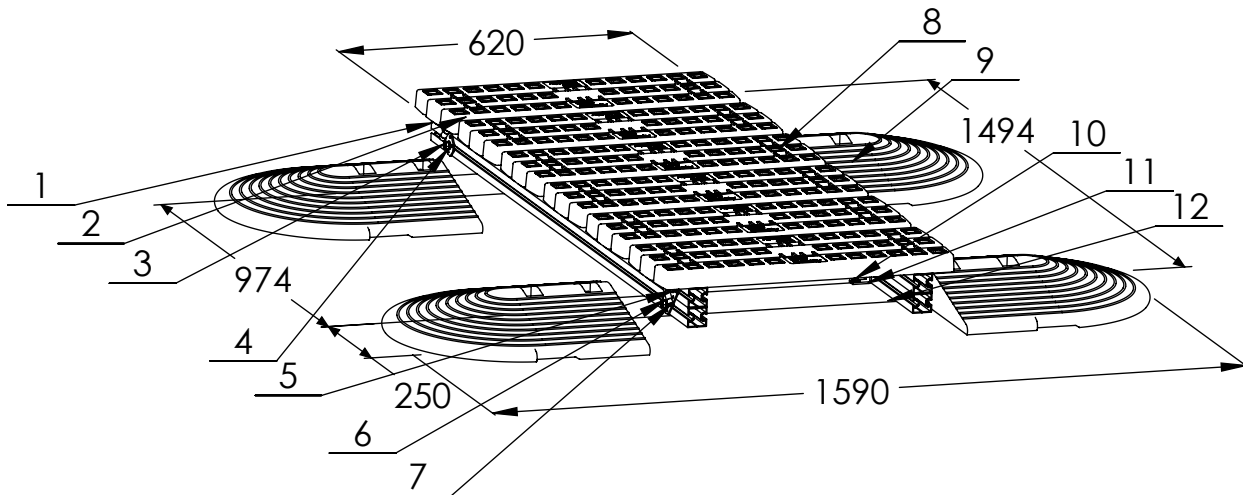
Issue No: 1

# Technical Datasheet No: 0023

KWM21 - 1,5M FREE STANDING MODULE 75 MPH VERSION

Part No: WW721ASSY

Short Part No: KWM21



For Stainless Steel option KWM21SS (WW821ASSY)

use below fittings:

ITEM 3 - WW1120150 - M8x20mm HEX. SCR.-A4-70

ITEM 4 - WW2180150 - M8 HEX FULL NUT-A4-70

ITEM 5 - WW3280150 - M8 SPRING WASHER-A4-70

ITEM 6 - WW3180150 - M8 PLAIN WASHER-A4-70

ITEM 10 - WW6215150 - 6,2dia x 25mm TEK SCREW-A2-70

ITEM NO.	PART NO.	DESCRIPTION	QTY.
1	WW4040030	WW4040 - EXTRUDED ALUMINIUM BEAM.	4
2	WW1000040	WW1000 - NYLON TREAD	6
3	WW1120110	WW1120 - M8 x 20 HEX HD GR 8,8 SET SCREW	12
4	WW2180110	WW2180 - M8 HEX HD FULL NUT GR 8,8	12
5	WW3280110	WW3280 - M8 SPRING WASHER TYPE A GALV	12
6	WW3180110	WW3180 - M8 PLAIN WASHER FORM A GALV	12
7	WW454ASSY	WW454ASSY - HINGE ASSEMBLY	4
8	007470010	74-7 COLLAR	4
9	044070180	440-7 KG-UPVC WEIGHT	4
10	WW6215110	WW6215 - 6,3 x 25 HEX HD STITCHING SCREW	16
11	WW3939030	WW3939 - ALUMINIUM RETAINING BRACKET	4
12	TUBE SIZE 7	Ø 42,4 x 3,2 GALV TUBE @ 1080	2

## APPLICATION

Kee Walk® System provides a safe, anti-slip, level walking surface for means of access to and across roofs. It provides a demarcation route which protects the roof membrane from unnecessary foot traffic and potential damage. Pre-assembled in 1,5m unit.

## COMPONENT SPECIFICATION

Material	Aluminium Alloy / High Grade Nylon / PVC / Mild Steel
Finish	Aluminium, Nylon, PVC - Natural / HDG
Weight	74 kg

Issue Date: 09/06/2017

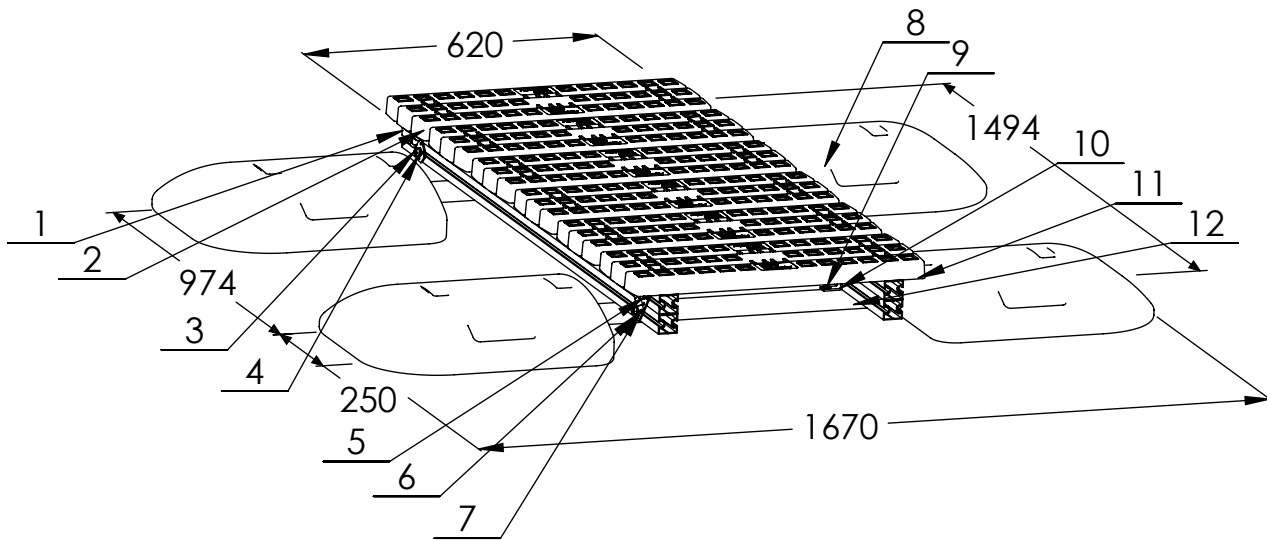
Issue No: 1

# Technical Datasheet No: 0024

KWM22 - 1,5M FREE STANDING MODULE 95 MPH VERSION

Part No: WW722ASSY

Short Part No: KWM22



For Stainless Steel option KWM22SS (WW822ASSY)  
use below fittings:

ITEM 3 - WW1120150 - M8x20mm HEX. SCR.-A4-70

ITEM 4 - WW2180150 - M8 HEX FULL NUT-A4-70

ITEM 5 - WW3280150 - M8 SPRING WASHER-A4-70

ITEM 6 - WW3180150 - M8 PLAIN WASHER-A4-70

ITEM 9 - WW6215150 - 6,2dia x 25mm TEK SCREW-A2-70

ITEM NO.	PART NO.	DESCRIPTION	QTY.
1	WW4040030	WW4040 - EXTRUDED ALUMINIUM BEAM.	4
2	WW1000040	WW1000 - NYLON TREAD	6
3	WW1120110	WW1120 - M8 x 20 HEX HD GR 8,8 SET SCREW	12
4	WW2180110	WW2180 - M8 HEX HD FULL NUT GR 8,8	12
5	WW3280110	WW3280 - M8 SPRING WASHER TYPE A GALV	12
6	WW3180110	WW3180 - M8 PLAIN WASHER FORM A GALV	12
7	WW454ASSY	WW454ASSY - HINGE ASSEMBLY	4
8	RE11P40	DEFENDER ROOF EDGE COUNTERWEIGHT	4
9	WW6215110	WW6215 - 6,3 x 25 HEX HD STITCHING SCREW	16
10	WW3939030	WW3939 - ALUMINIUM RETAINING BRACKET	4
11	007570010	75-7 COLLAR	4
12	TUBE SIZE 7	Ø 42,4 x 3,2 GALV TUBE @ 1300	2

## APPLICATION

Kee Walk® System provides a safe, anti-slip, level walking surface for means of access to and across roofs. It provides a demarcation route which protects the roof membrane from unnecessary foot traffic and potential damage. Pre-assembled in 1,5m unit.

## COMPONENT SPECIFICATION

Material	Aluminium Alloy / High Grade Nylon / PVC / Mild Steel
Finish	Aluminium, Nylon, PVC - Natural / HDG
Weight	122 kg

Issue Date: 09/06/2017

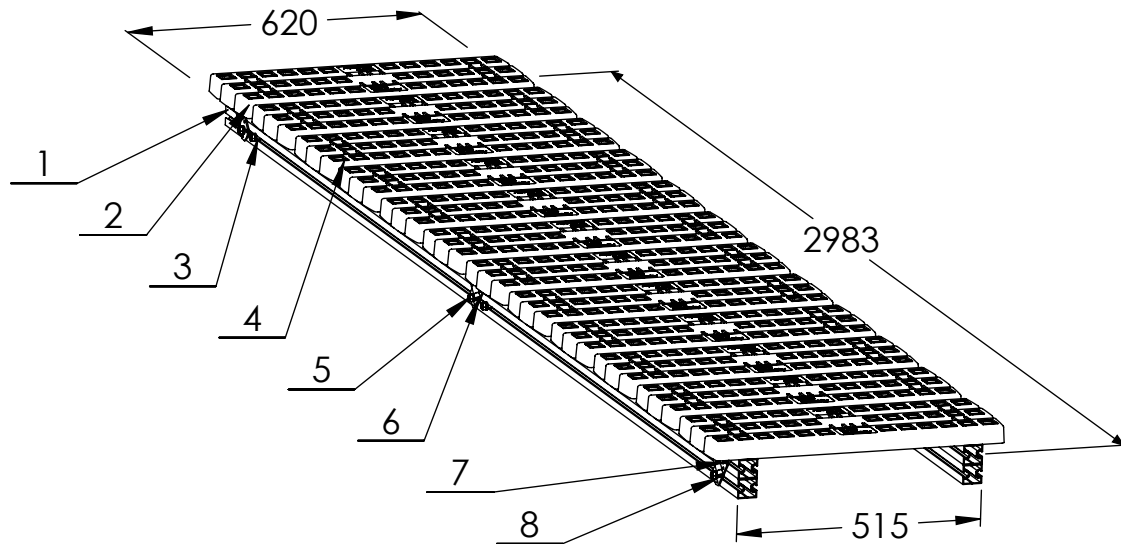
Issue No: 1

# Technical Datasheet No: 0025

KWM23 - 3M TRAVERSE MODULE 0 TO 5 deg SLOPE

Part No: WW723ASSY

Short Part No: KWM23



For Stainless Steel option KWM23SS (WW823ASSY)  
use below fittings:

- ITEM 3 - WW1120150 - M8x20mm HEX. SCR.-A4-70
- ITEM 4 - WW6215150 - 6,2dia x 25mm TEK SCREW-A2-70
- ITEM 5 - WW2180150 - M8 HEX FULL NUT-A4-70
- ITEM 7 - WW3280150 - M8 SPRING WASHER-A4-70
- ITEM 8 - WW3180150 - M8 PLAIN WASHER-A4-70

ITEM NO.	PART NO.	DESCRIPTION	QTY.
1	WW4040030	WW4040 - EXTRUDED ALUMINIUM BEAM.	4
2	WW1000040	WW1000 - NYLON TREAD	12
3	WW1120110	WW1120 - M8 x 20 HEX HD GR 8,8 SET SCREW	18
4	WW6215110	WW6215 - 6,3 x 25 HEX HD STITCHING SCREW	24
5	WW2180110	WW2180 - M8 HEX HD FULL NUT GR 8,8	18
6	WW454ASSY	WW454ASSY - HINGE ASSEMBLY	6
7	WW3280110	WW3280 - M8 SPRING WASHER TYPE A GALV	18
8	WW3180110	WW3180 - M8 PLAIN WASHER FORM A GALV	18

## APPLICATION

Kee Walk® System provides a safe, anti-slip, level walking surface for means of access to and across roofs. It provides a demarcation route which protects the roof membrane from unnecessary foot traffic and potential damage. Pre-assembled in 3m unit.

## COMPONENT SPECIFICATION

Material	Aluminium Alloy / High Grade Nylon / Mild Steel
Finish	Aluminium, Nylon - Natural / HDG
Weight	30 kg

Issue Date: 09/06/2017

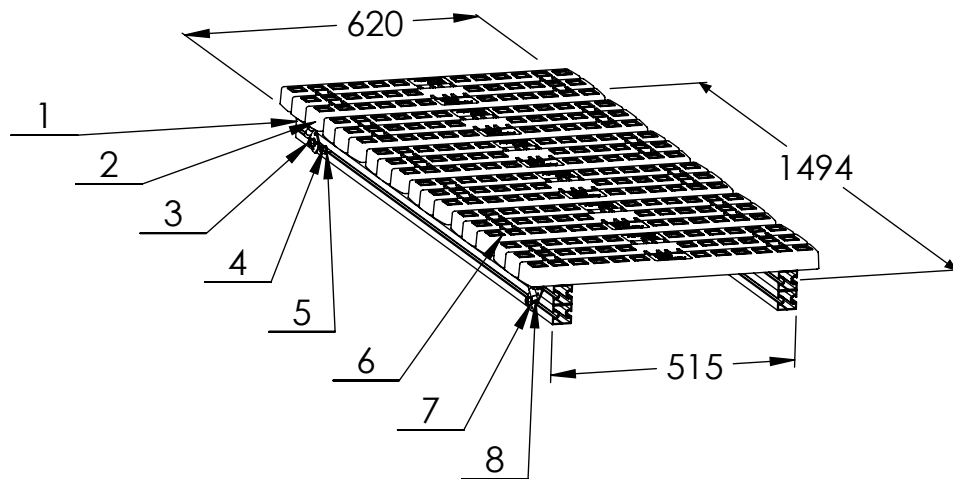
Issue No: 1

# Technical Datasheet No: 0026

KWM24 - 1,5M TRAVERSE MODULE 0 TO 5 deg SLOPE

Part No: WW724ASSY

Short Part No: KWM24



For Stainless Steel option KWM24SS (WW824ASSY)

use below fittings:

ITEM 3 - WW1120150 - M8x20mm HEX. SCR.-A4-70

ITEM 4 - WW2180150 - M8 HEX FULL NUT-A4-70

ITEM 5 - WW3180150 - M8 PLAIN WASHER-A4-70

ITEM 6 - WW6215150 - 6,2dia x 25mm TEK SCREW-A2-70

ITEM 7 - WW3280150 - M8 SPRING WASHER-A4-70

ITEM NO.	PART NO.	DESCRIPTION	QTY.
1	WW4040030	WW4040 - EXTRUDED ALUMINIUM BEAM.	4
2	WW1000040	WW1000 - NYLON TREAD	6
3	WW1120110	WW1120 - M8 x 20 HEX HD GR 8,8 SET SCREW	12
4	WW2180110	WW2180 - M8 HEX HD FULL NUT GR 8,8	12
5	WW3180110	WW3180 - M8 PLAIN WASHER FORM A GALV	12
6	WW6215110	WW6215 - 6,3 x 25 HEX HD STITCHING SCREW	12
7	WW3280110	WW3280 - M8 SPRING WASHER TYPE A GALV	12
8	WW454ASSY	WW454ASSY - HINGE ASSEMBLY	4

## APPLICATION

Kee Walk® System provides a safe, anti-slip, level walking surface for means of access to and across roofs. It provides a demarcation route which protects the roof membrane from unnecessary foot traffic and potential damage. Pre-assembled in 1,5m unit.

## COMPONENT SPECIFICATION

Material	Aluminium Alloy / High Grade Nylon / Mild Steel
Finish	Aluminium, Nylon - Natural / HDG
Weight	16 kg

Issue Date: 09/06/2017

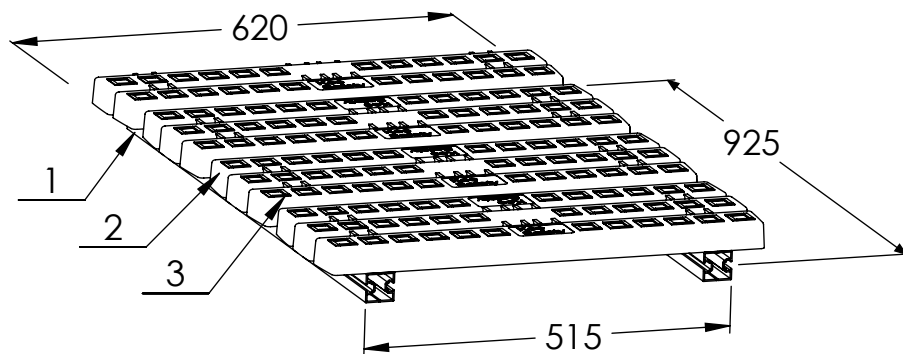
Issue No: 1

# Technical Datasheet No: 0027

KWM25 - 0,925M TRAVERSE MODULE 0 TO 5 deg SLOPE

Part No: WW725ASSY

Short Part No: KWM25



For Stainless Steel option KWM25SS (WW825ASSY)

use below fittings:

ITEM 3 - WW6215150 - 6,2dia x 25mm TEK SCREW-A2-70

ITEM NO.	PART NO.	DESCRIPTION	QTY.
1	WW4040030	WW4040 - EXTRUDED ALUMINIUM BEAM.	2
2	WW1000040	WW1000 - NYLON TREAD	4
3	WW6215110	WW6215 - 6,3 x 25 HEX HD STITCHING SCREW	8

## APPLICATION

Kee Walk® System provides a safe, anti-slip, level walking surface for means of access to and across roofs. It provides a demarcation route which protects the roof membrane from unnecessary foot traffic and potential damage. Pre-assembled in 0,925m unit.

## COMPONENT SPECIFICATION

Material	Aluminium Alloy / High Grade Nylon / Mild Steel
Finish	Aluminium, Nylon - Natural / HDG
Weight	4 kg

Issue Date: 09/06/2017

Issue No: 1

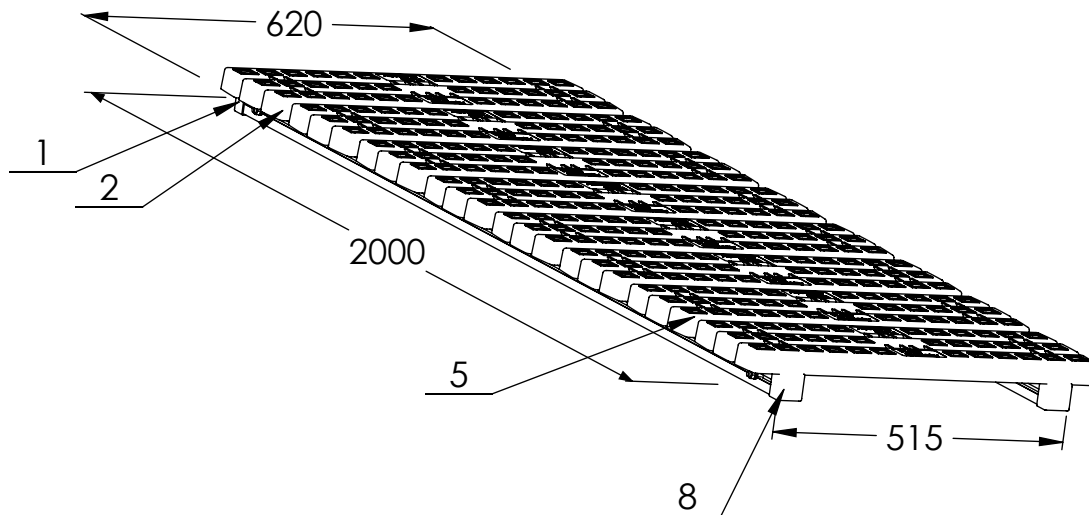


# Technical Datasheet No: 0028

KWM30 - 2M TRAVERSE MODULE 0 TO 5 deg SLOPE

Part No: WW730ASSY

Short Part No: KWM30



For Stainless Steel option KWM30SS (WW830ASSY)  
use below fittings:

ITEM 3 - WW1125150 - M8x25mm HEX. SCR.-A4-70

ITEM 4 - WW3280150 - M8 SPRING WASHER-A4-70

ITEM 5 - WW6215150 - 6,2dia x 25mm TEK SCREW-A2-70

ITEM 6 - WW2180150 - M8 HEX FULL NUT-A4-70

ITEM 7 - WW3180150 - M8 PLAIN WASHER-A4-70

ITEM NO.	PART NO.	DESCRIPTION	QTY.
1	WW4040030	WW4040 - EXTRUDED ALUMINIUM BEAM.	2
2	WW1000040	WW1000 - NYLON TREAD	8
3	WW1125110	WW1125 - M8 x 25 HEX HD GR 8,8 SET SCREW	4
4	WW3280110	WW3280 - M8 SPRING WASHER TYPE A GALV	4
5	WW6215110	WW6215 - 6,3 x 25 HEX HD STITCHING SCREW	16
6	WW2180110	WW2180 - M8 HEX HD FULL NUT GR 8,8	4
7	WW3180110	WW3180 - M8 PLAIN WASHER FORM A GALV	4
8	WW16258CP	WW16258CP - BLACK VINYL PLASTIC CAP	4

## APPLICATION

Kee Walk® System provides a safe, anti-slip, level walking surface for means of access to and across roofs. It provides a demarcation route which protects the roof membrane from unnecessary foot traffic and potential damage. Pre-assembled in 2m unit.

## COMPONENT SPECIFICATION

Material	Aluminium Alloy / High Grade Nylon / Mild Steel
Finish	Aluminium, Nylon - Natural / Sheradised
Weight	16,84 kg

Issue Date: 23/06/2017

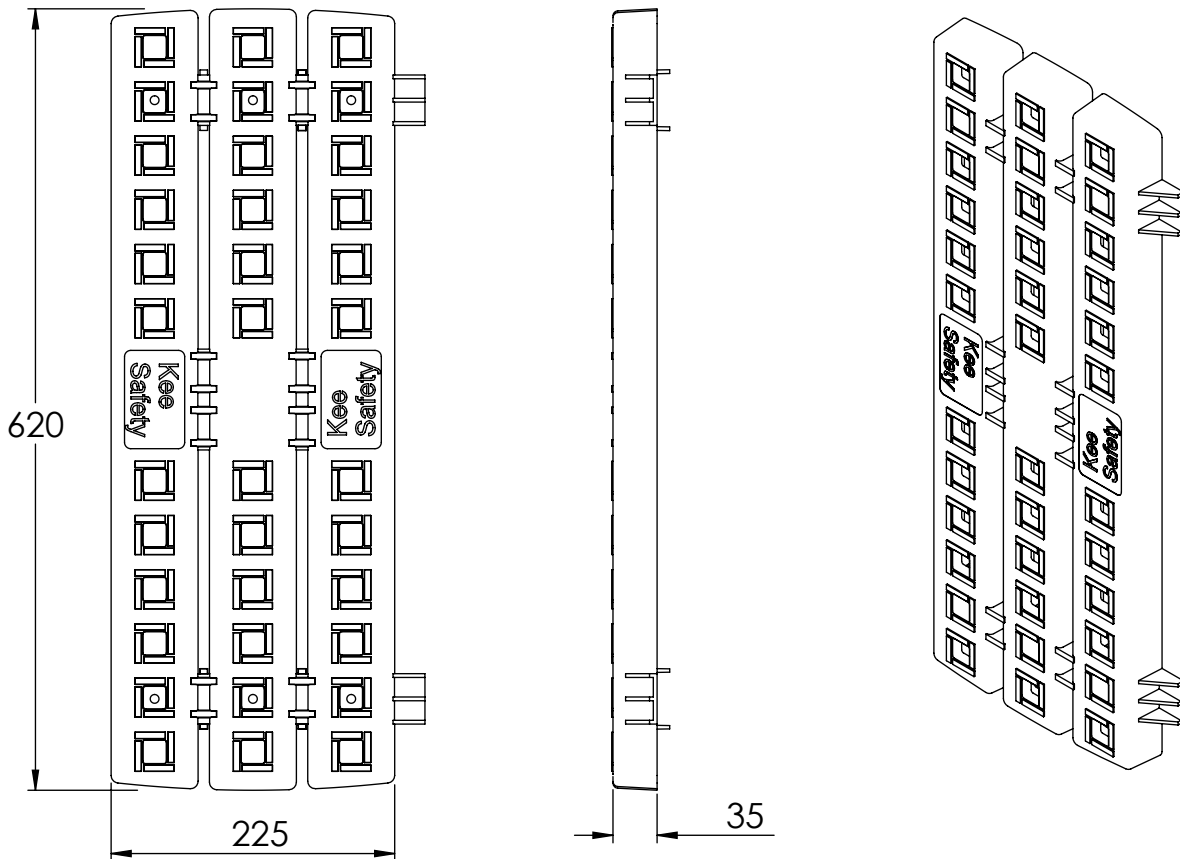
Issue No: 2

# Technical Datasheet No: 0029

WW1000 - NYLON TREAD

Part No: WW1000040

Short Part No: WW1000



## APPLICATION

Manufactured in high grade nylon incorporating raised textured sections. Open tread design ensures water drains away.

## COMPONENT SPECIFICATION

Material	High Grade Nylon
Finish	Natural
Weight	1,63 kg

Issue Date: 09/06/2017

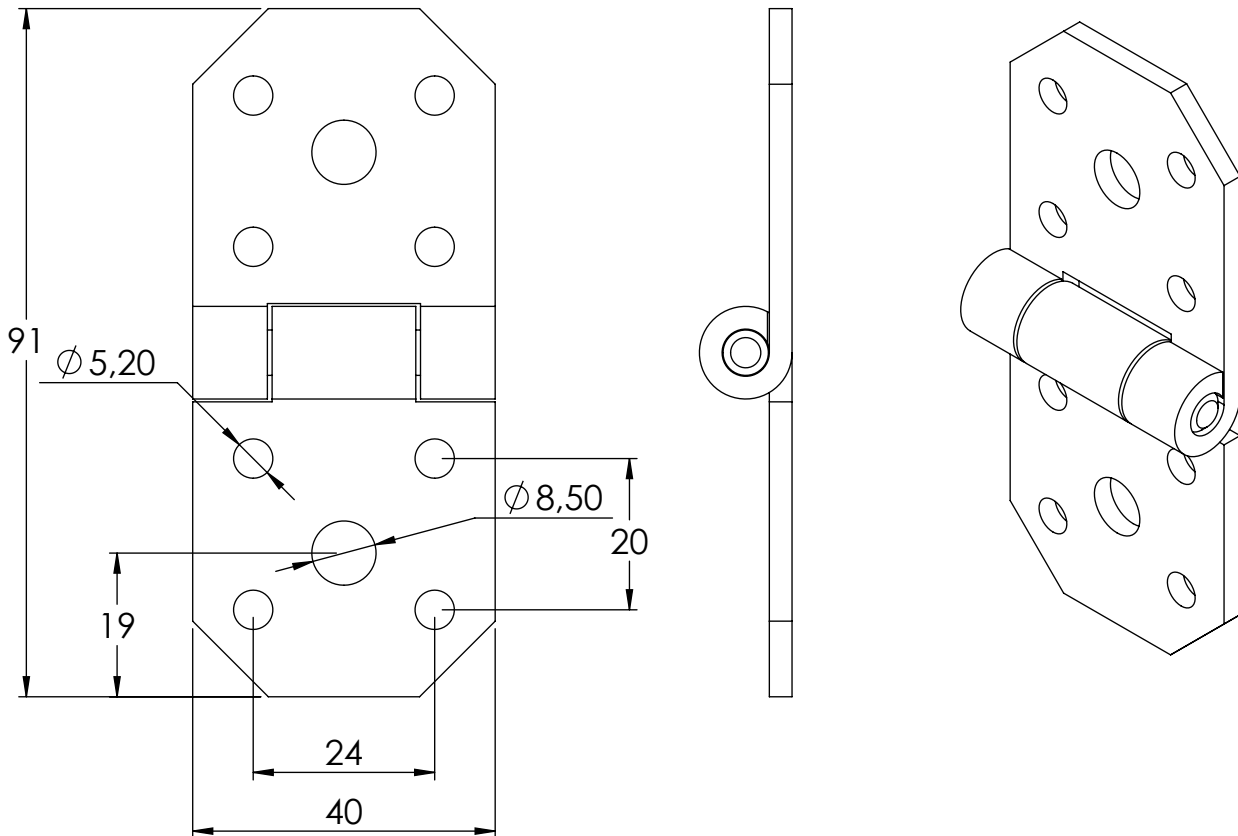
Issue No: 1

# Technical Datasheet No: 0030

WW454ASSY - HINGE ASSEMBLY

Part No: WW454ASSY

Short Part No: WW454ASSY



## APPLICATION

Allow section of the walkway to pivot.

## COMPONENT SPECIFICATION

Material	Mild Steel Q235 / Stainless Steel S201
Finish	
Weight	0,2 kg

Issue Date: 09/06/2017

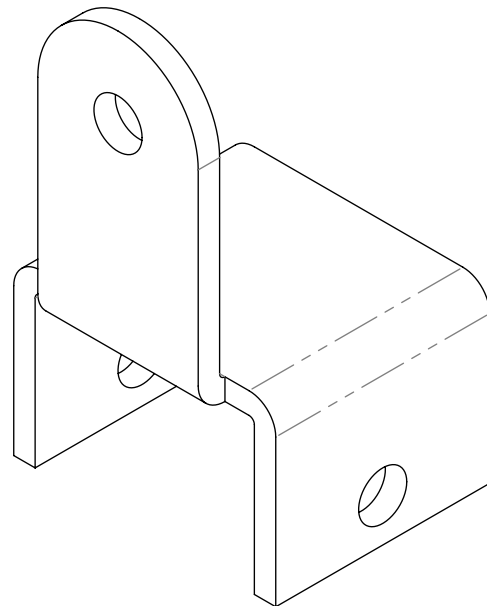
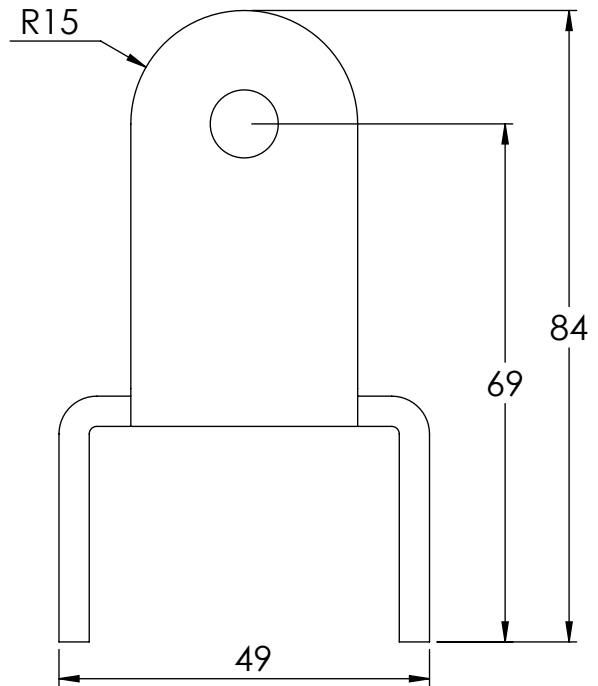
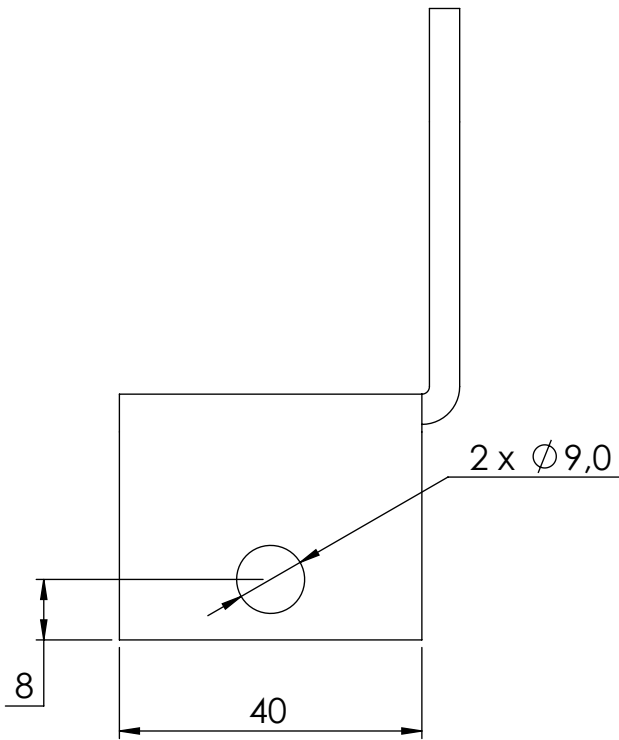
Issue No: 1

# Technical Datasheet No: 0031

WW4694 - TRAVERSE SUPPORT PLATE

Part No: WW4694010

Short Part No: WW4694



## APPLICATION

Allow section of the walkway to pivot.

## COMPONENT SPECIFICATION

Material	Mild Steel Q235B
Finish	Galvanised to EN ISO 1461
Weight	0.18

Issue Date: 09/06/2017

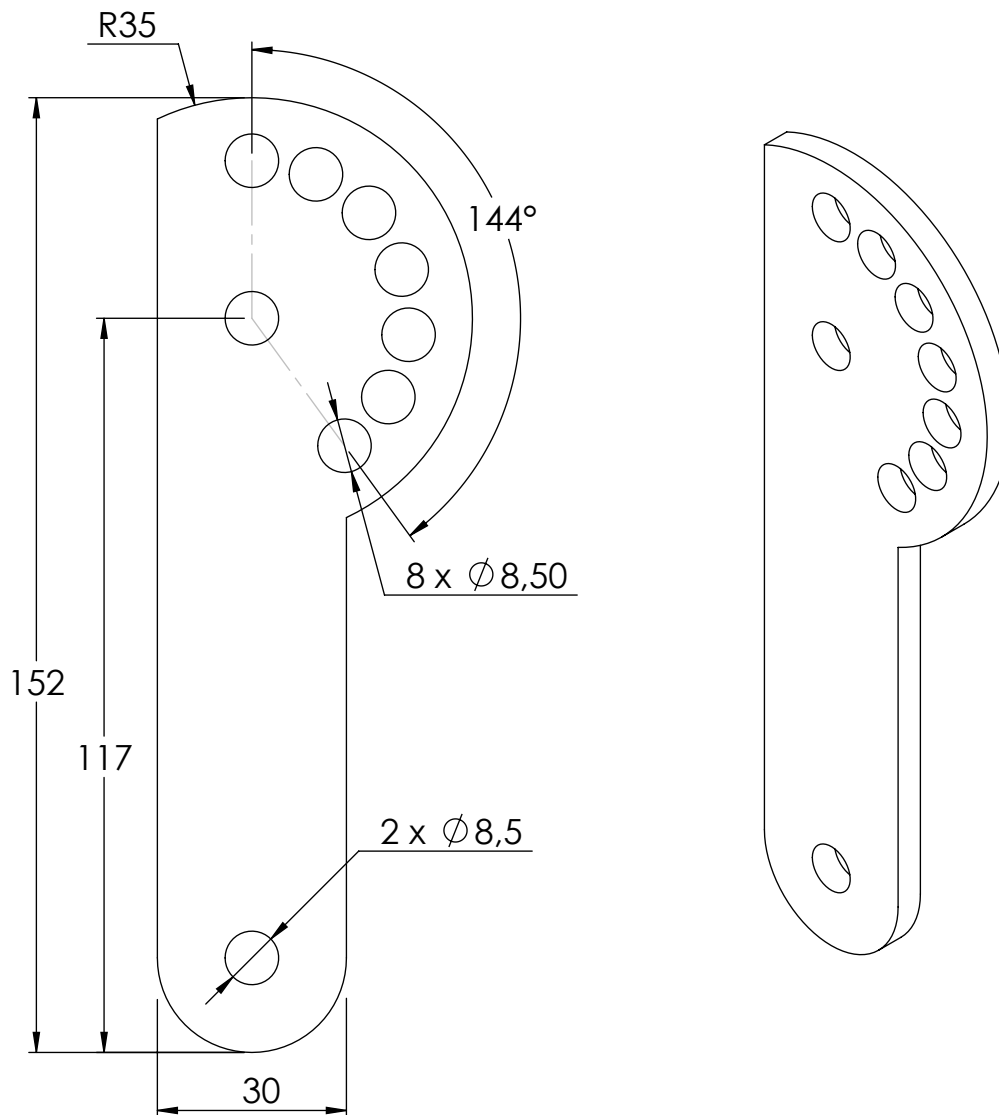
Issue No: 1

# Technical Datasheet No: 0032

WW3011 - STEP SUPPORT LOCATING PLATE

Part No: WW3013110

Short Part No: WW3011



## APPLICATION

Allow section of the walkway to pivot.

## COMPONENT SPECIFICATION

Material	Mild Steel Q235B
Finish	Galvanised TO EN ISO 1461
Weight	0.16

Issue Date: 09/06/2017

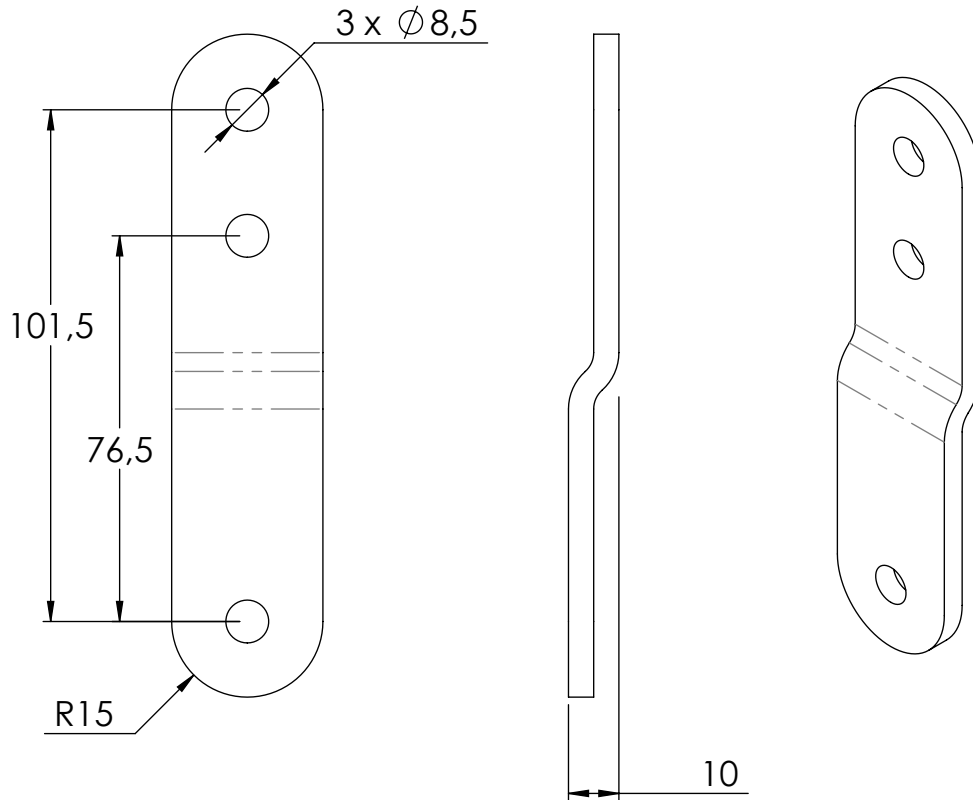
Issue No: 1

# Technical Datasheet No: 0033

WW3010 - STEP SUPPORT SECONDARY PLATE

Part No: WW3013010

Short Part No: WW3010



## APPLICATION

Allow section of the walkway to pivot.

## COMPONENT SPECIFICATION

Material	Mild Steel Q235B FLAT 30mm x 5mm
Finish	Galvanised TO EN ISO 1461
Weight	0.12

Issue Date: 09/06/2017

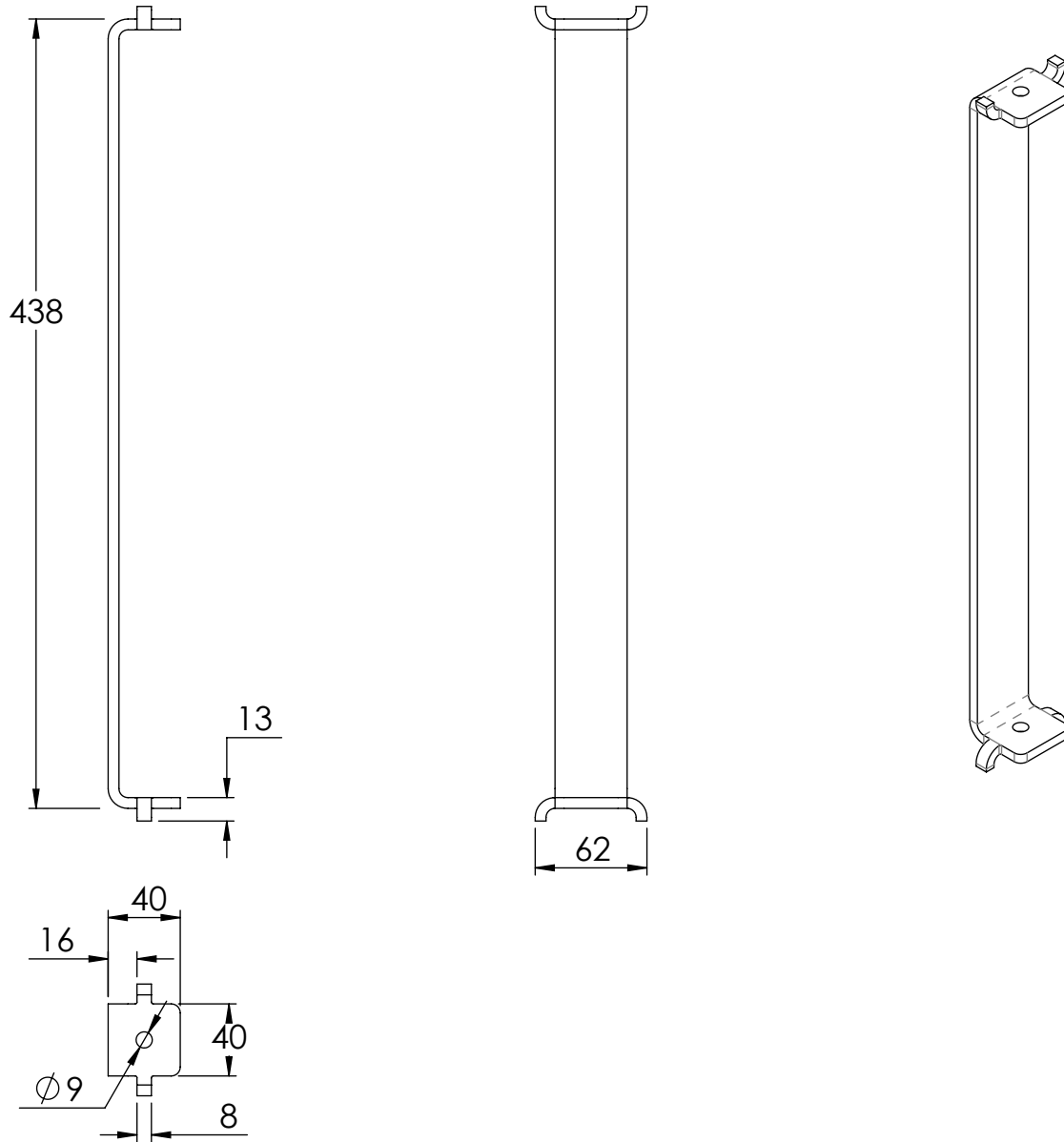
Issue No: 1

# Technical Datasheet No: 0034

WW4006 - TREAD SUPPORT BRACKET

Part No: WW4006010

Short Part No: WW4006



## APPLICATION

Support aluminium extrusions of the walkway.

## COMPONENT SPECIFICATION

Material	Mild Steel Q235B
Finish	Galvanised
Weight	0.97

Issue Date: 09/06/2017

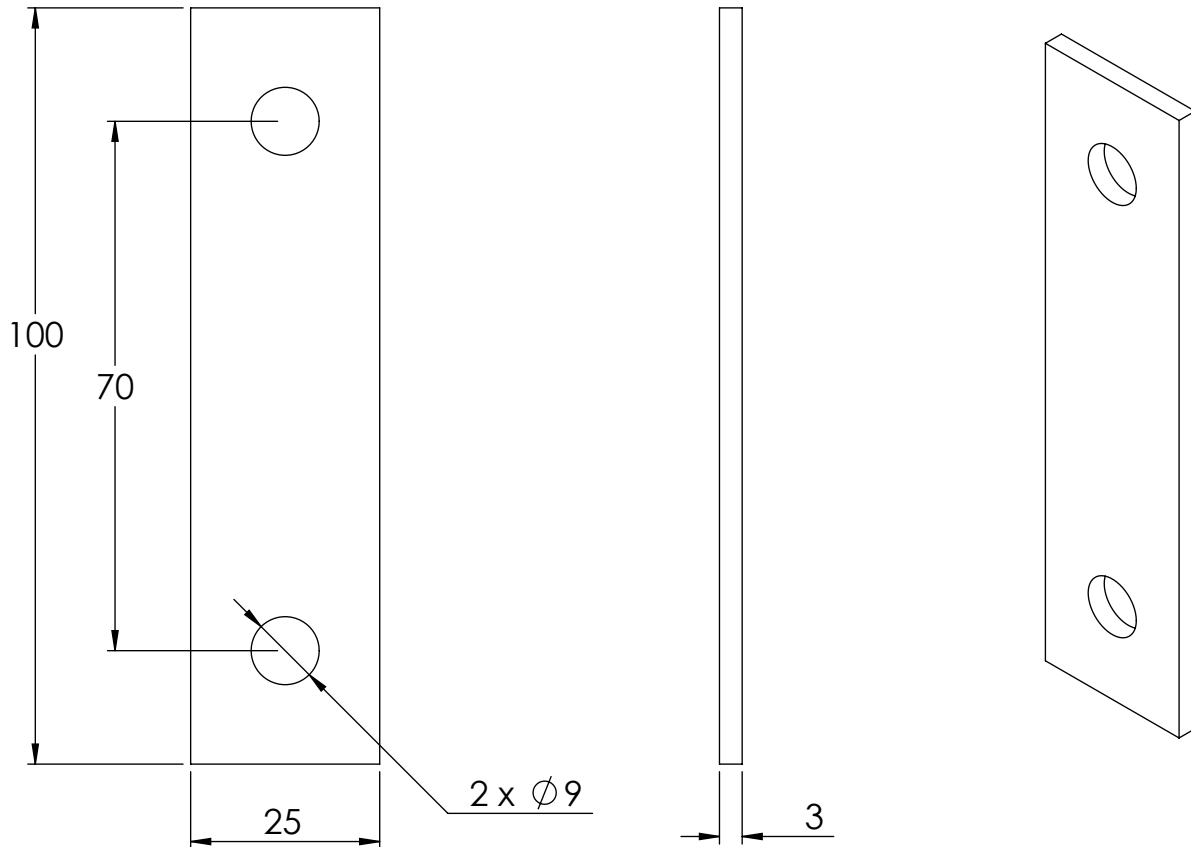
Issue No: 1

# Technical Datasheet No: 0035

WW1003 - STRAIGHT CONNECTOR ALUMINIUM

Part No: WW1003030

Short Part No: WW1003



## APPLICATION

Used to fix Kee Walk extrusions or modules together.

## COMPONENT SPECIFICATION

Material	ALUMINIUM ALLOY 6082-T4
Finish	Natural
Weight	0.02

Issue Date: 19/11/2018

Issue No:2

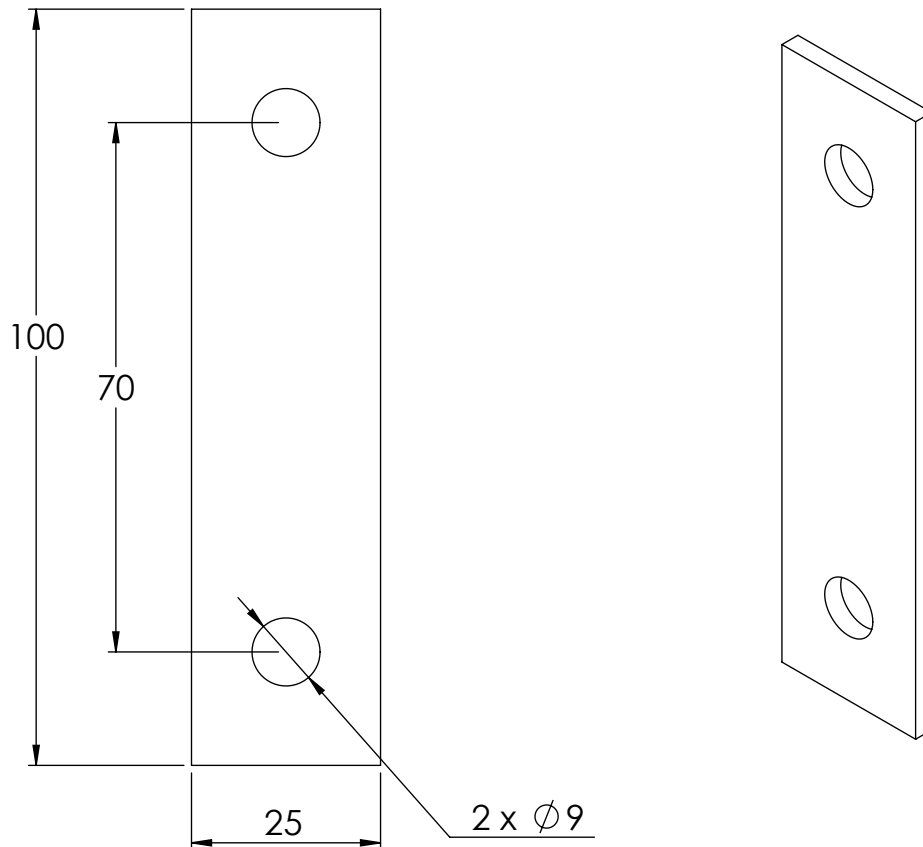


# Technical Datasheet No: 0035

WW1003 - STRAIGHT CONNECTOR ALUMINIUM

Part No: WW1003030

Short Part No: WW1003



## APPLICATION

Used to fix Kee Walk extrusions or modules together.

## COMPONENT SPECIFICATION

Material	ALUMINIUM ALLOY 6082-T4
Finish	Natural
Weight	0.02

Issue Date: 09/06/2017

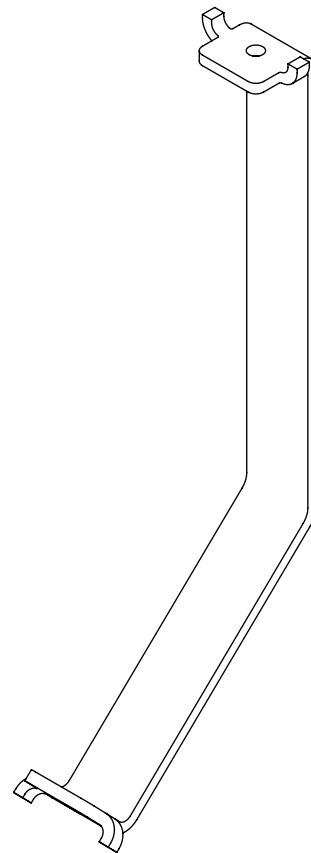
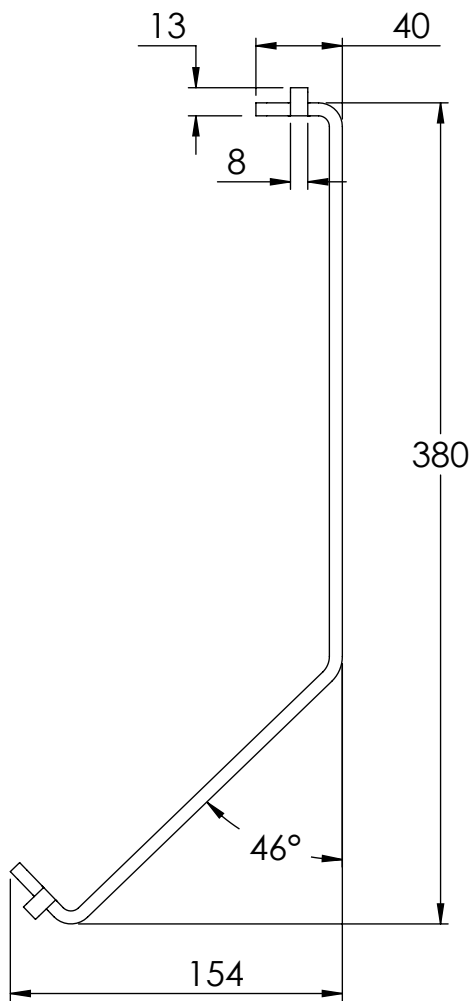
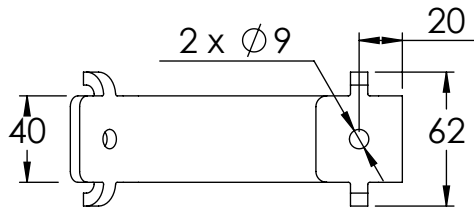
Issue No: 1

# Technical Datasheet No: 0036

WW4006C - TREAD SUPPORT CRANKED BRACKET

Part No: WW4006010C

Short Part No: WW4006C



## APPLICATION

Support aluminium extrusions of the walkway.

## COMPONENT SPECIFICATION

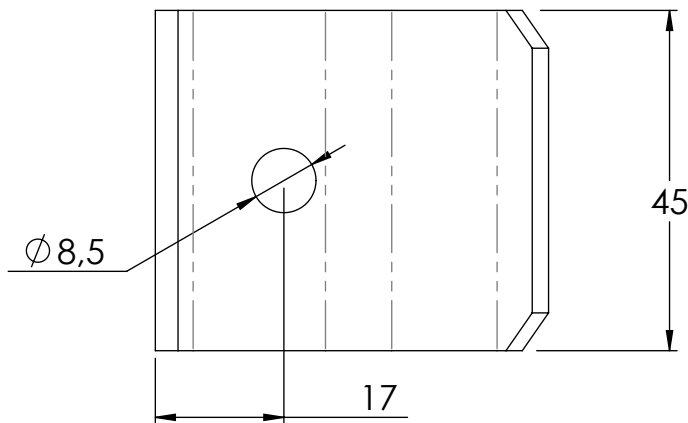
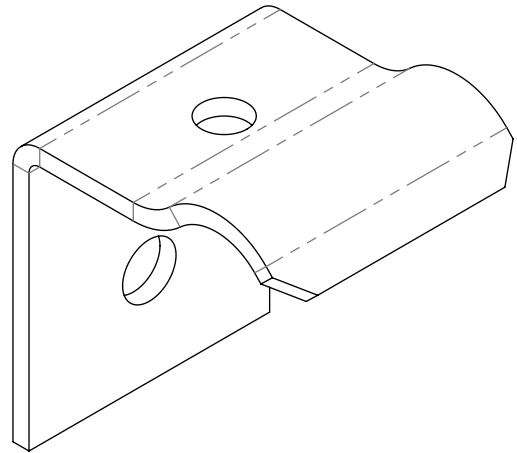
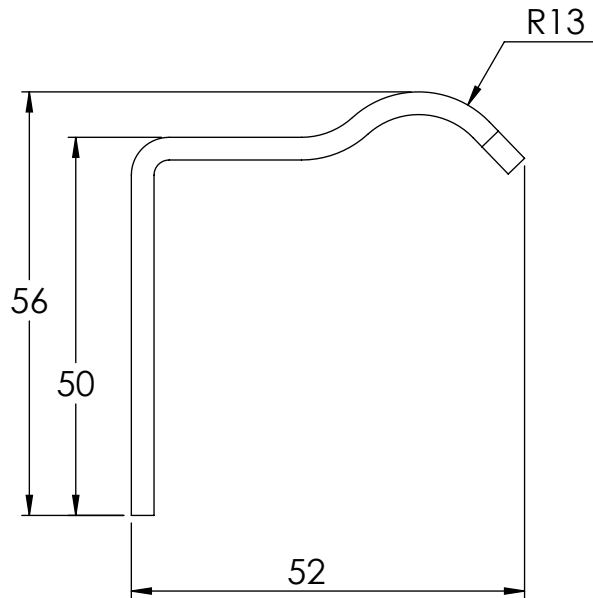
Material	Mild Steel Q235B
Finish	Galvanised to SIC 109
Weight	0.97

# Technical Datasheet No: 0037

WW4510 - STANDING SEAM ROOFING CLIP ONE HALF

Part No: WW4510203

Short Part No: WW4510



## APPLICATION

Used to fix Kee Walk module to Standing Seam Roof

## COMPONENT SPECIFICATION

Material	Mild Steel Q235B
Finish	Galvanised to KKMS/0030
Weight	0.11

Issue Date: 09/06/2017

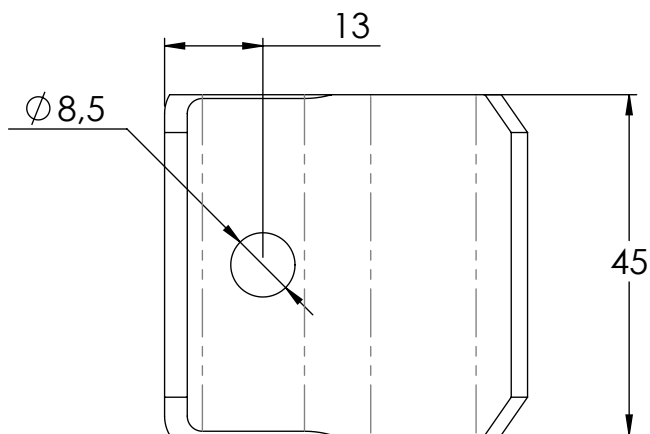
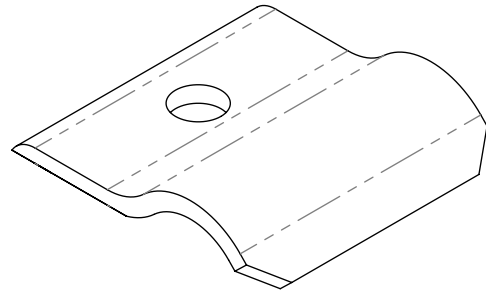
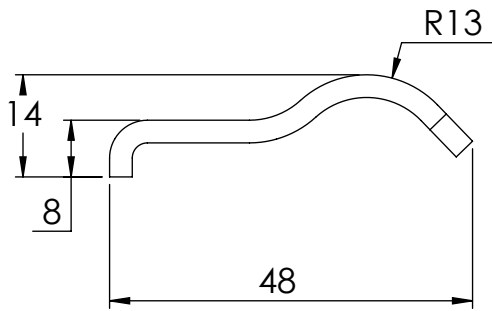
Issue No: 1

# Technical Datasheet No: 0038

WW4505 - STANDING SEAM ROOFING CLIP 2ND HALF

Part No: WW4505503

Short Part No: WW4505



## APPLICATION

Used to fix Kee Walk module to Standing Seam Roof.

## COMPONENT SPECIFICATION

Material	Mild Steel Q235B FLAT 45,000 x 3,000
Finish	Galvanised to KKMS/0030
Weight	0.05

Issue Date: 09/06/2017

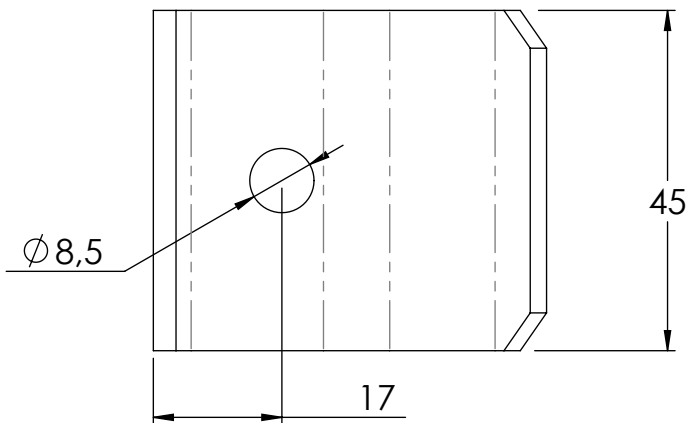
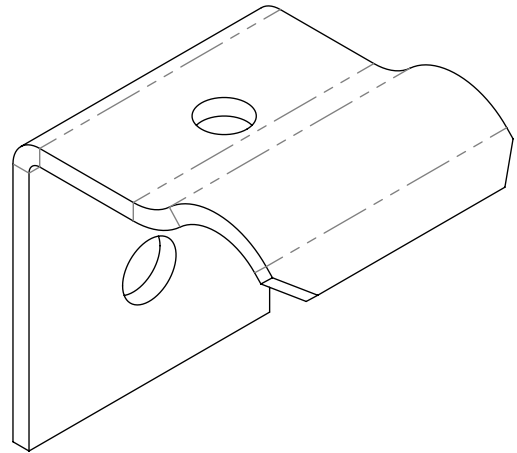
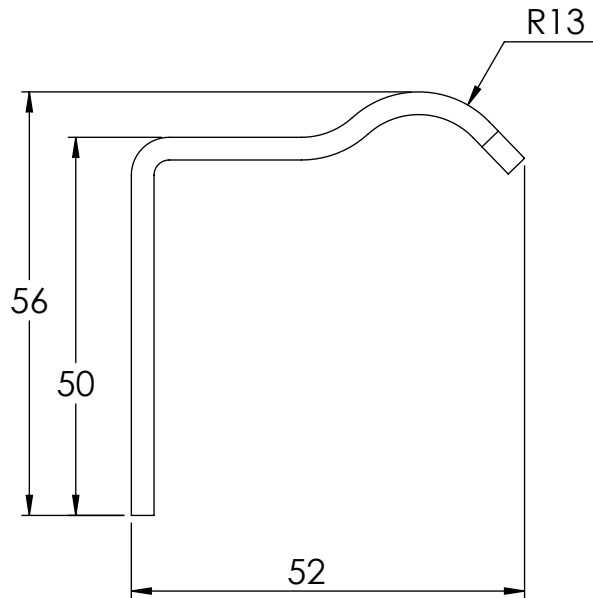
Issue No: 1

# Technical Datasheet No: 0040

WW4510230 - ALUMINIUM STANDING SEAM ROOFING CLIP ONE HALF

Part No: WW4510230

Short Part No: WW4510230



## APPLICATION

Used to fix Kee Walk module to Standing Seam Roof.

## COMPONENT SPECIFICATION

Material	ALUMINIUM ALLOY 6082-T4
Finish	Natural
Weight	0.04

Issue Date: 09/06/2017

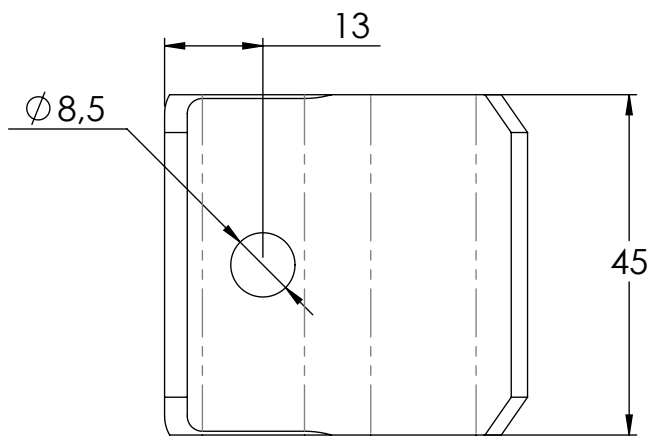
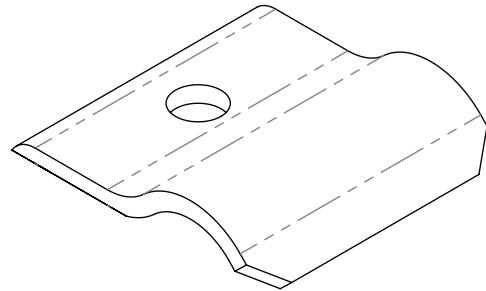
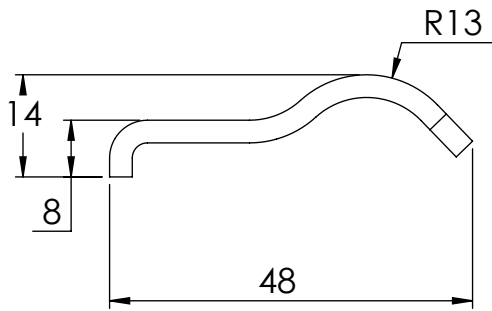
Issue No: 1

# Technical Datasheet No: 0041

ALUMINIUM STANDING SEAM ROOFING CLIP 2ND HALF

Part No: WW4505530

Short Part No: WW4505530



## APPLICATION

Used to fix Kee Walk module to Standing Seam Roof

## COMPONENT SPECIFICATION

Material	ALUMINIUM ALLOY 6082-T4
Finish	Natural
Weight	0.02

Issue Date: 09/06/2017

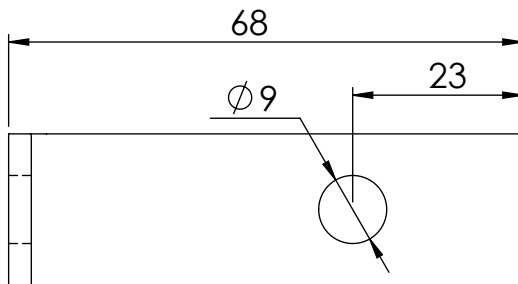
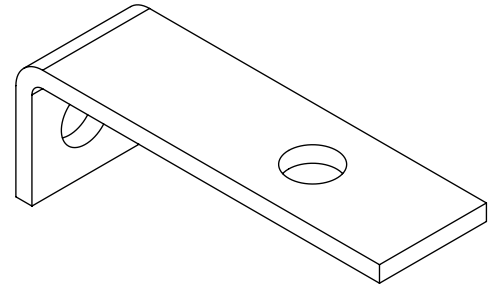
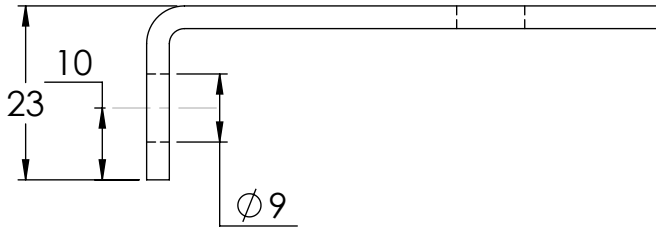
Issue No: 1

# Technical Datasheet No: 0042

WW6823 - ALUMINIUM STANDING SEAM BRACKET

Part No: WW6823030

Short Part No: WW6823



## APPLICATION

Used to fix Kee Walk module to Standing Seam Roof.

## COMPONENT SPECIFICATION

Material	ALUMINIUM ALLOY 6082-T4
Finish	Natural
Weight	0.01

Issue Date: 09/06/2017

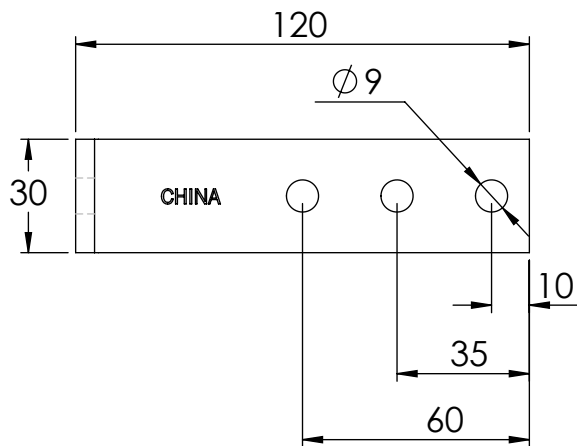
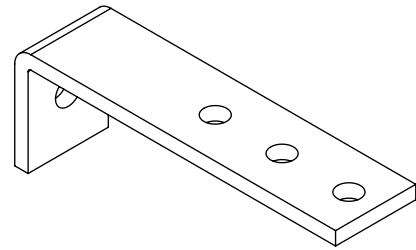
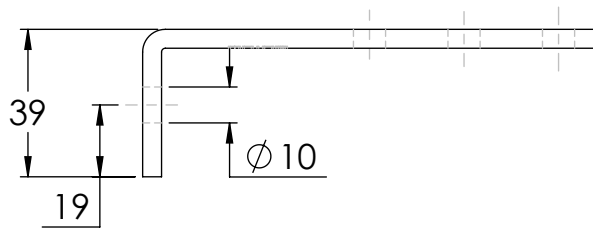
Issue No: 1

# Technical Datasheet No: 0064

WW3096 - EXTENDED FIXING BRACKET GALV

Part No: WW3096510

Short Part No: WW3096



## APPLICATION

Used to fix Kee Walk extrusions or module to the roof.

## COMPONENT SPECIFICATION

Material	Mild Steel S235
Finish	Galvanised to KKMS/0030
Weight	0.17

Issue Date: 24/10/2018

Issue No: 1

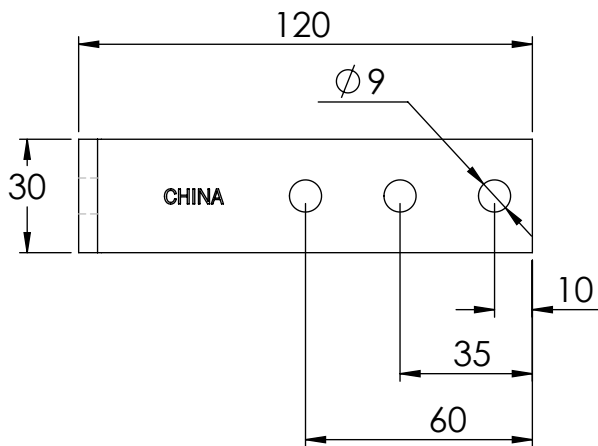
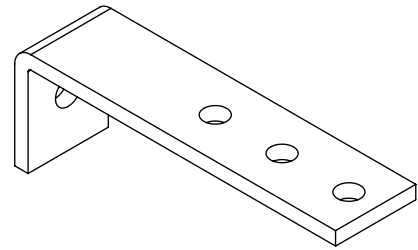
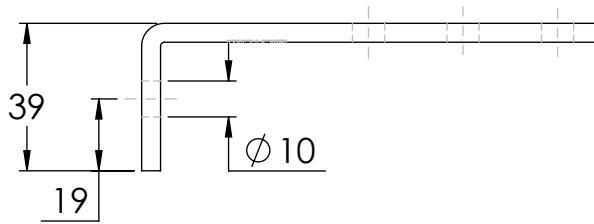


# Technical Datasheet No: 0065

WW3096 - EXTENDED FIXING BRACKET ALUMINIUM

Part No: WW3096530

Short Part No: WW3096



## APPLICATION

Used to fix Kee Walk extrusions or module to the roof.

## COMPONENT SPECIFICATION

Material	ALUMINIUM ALLOY 6082-T4
Finish	Natural
Weight	0.06

Issue Date: 24/10/2018

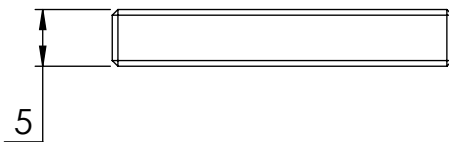
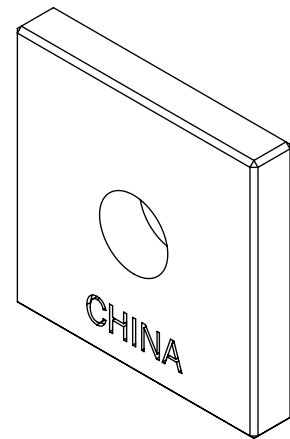
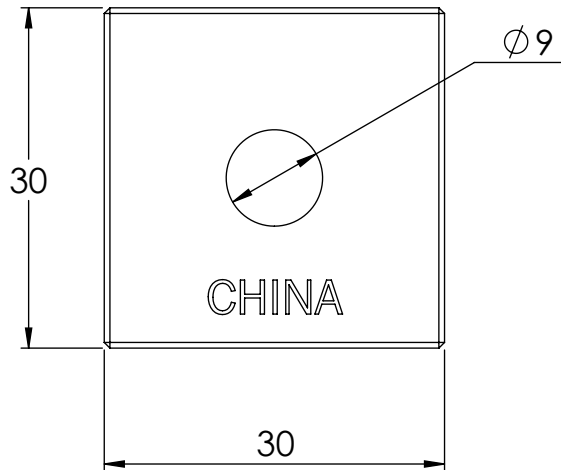
Issue No: 1

# Technical Datasheet No: 0066

KEE WALK SPACER

Part No: WW40906510

Short Part No: WW4090



## APPLICATION

Spacer used with standing seam roof clip assembly to fix KeeWalk modules to standing seam roof.

## COMPONENT SPECIFICATION

Material	Mild Steel Q235B
Finish	Galvanised to KKMS/0030
Weight	0.03

Issue Date: 18/10/2017

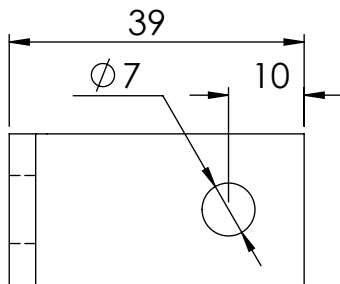
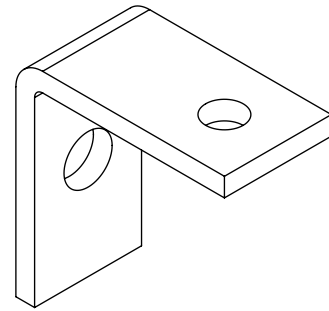
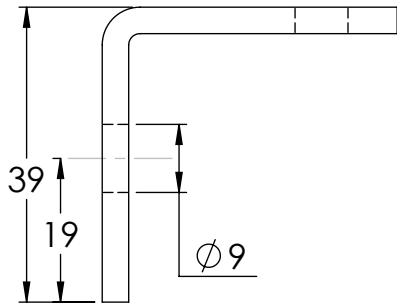
Issue No: 1

# Technical Datasheet No: 0044

WW3939 - ALUMINIUM RETAINING BRACKET

Part No: WW3939030

Short Part No: WW3939



## APPLICATION

Used to fix Kee Walk extrusions or module to the roof.

## COMPONENT SPECIFICATION

Material	ALUMINIUM ALLOY 6082-T4
Finish	Natural
Weight	0.01

Issue Date: 09/06/2017

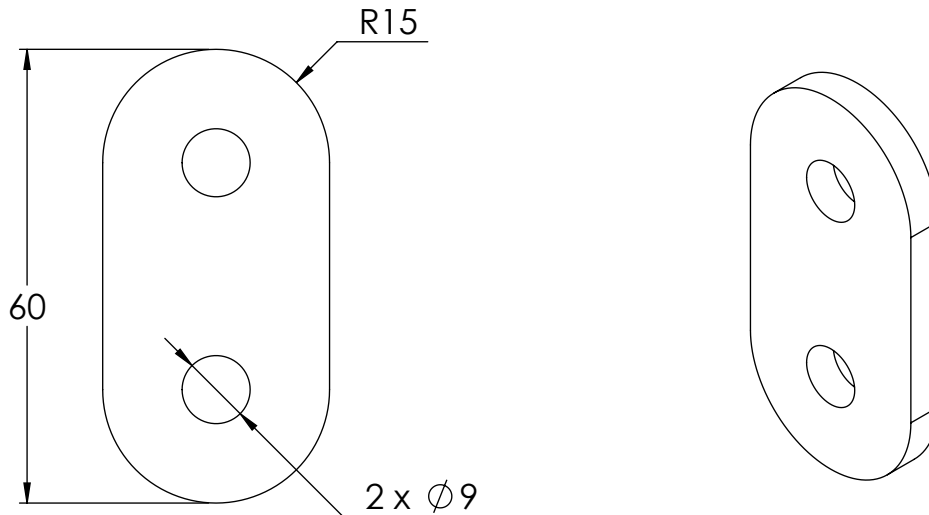
Issue No: 1

# Technical Datasheet No: 0045

WW3060 - TRAVERSE EXTENSION PLATE FOR 10°-15°

Part No: WW3060050

Short Part No: WW3060



## APPLICATION

Allow section of the walkway to pivot.

## COMPONENT SPECIFICATION

Material	Mild Steel Q235B FLAT 30mm x 5mm
Finish	Galvanised to KKMS/0030
Weight	0.05

Issue Date: 09/06/2017

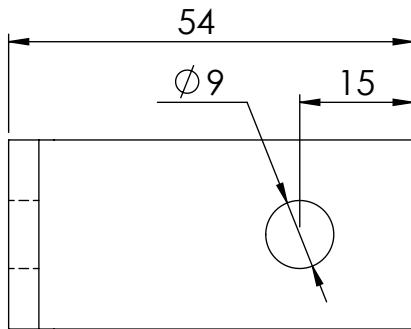
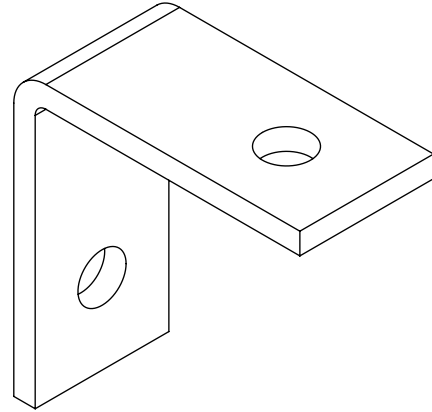
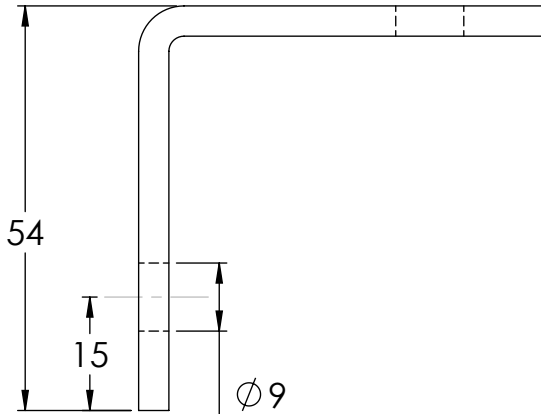
Issue No: 1

# Technical Datasheet No: 0046

WW5353 - ALUMINIUM 90° CONNECTOR

Part No: WW5353030

Short Part No: WW5353



## APPLICATION

Used to fix Kee Walk extrusions or module to the roof.

## COMPONENT SPECIFICATION

Material	ALUMINIUM ALLOY 6082-T4
Finish	Natural
Weight	0.03

Issue Date: 09/06/2017

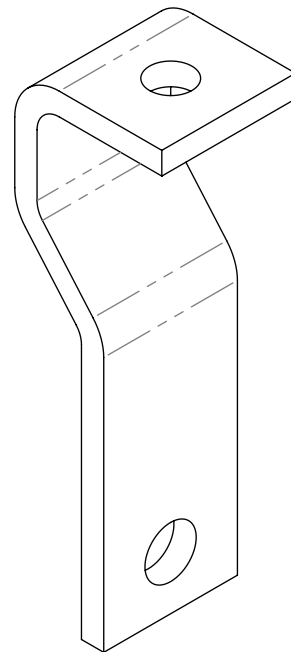
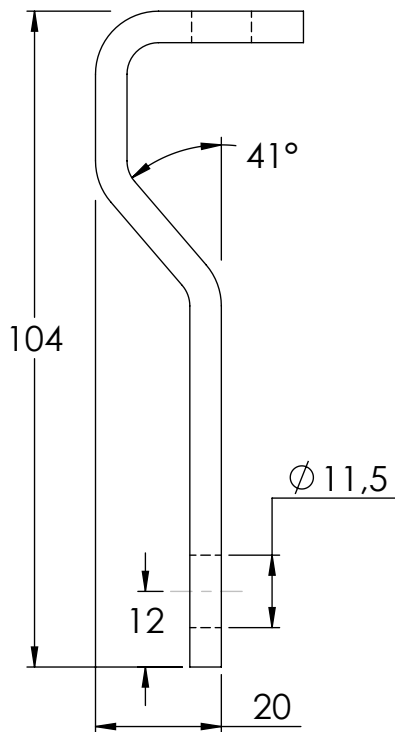
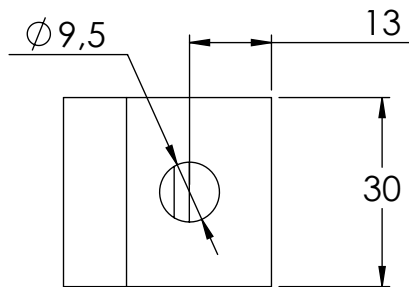
Issue No: 1

# Technical Datasheet No: 0047

## S5 CLAMP FIXING BRACKET - TYPE 1

Part No: WW3005010

Short Part No: WW3005010



### APPLICATION

Used to fix Kee Walk module to Standing Seam Roof

### COMPONENT SPECIFICATION

Material	Mild Steel Q235B
Finish	Galvanised to KKMS/0030
Weight	0.13

Issue Date: 09/06/2017

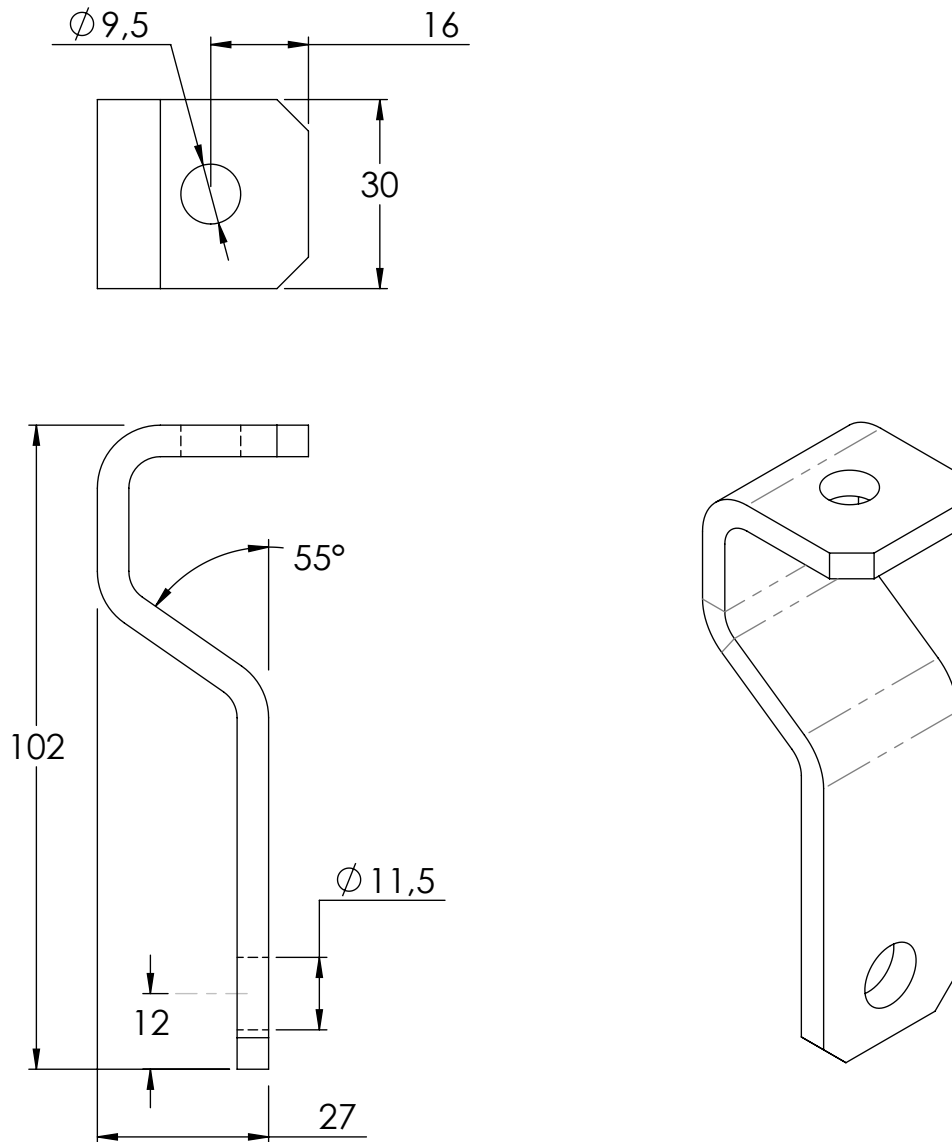
Issue No: 1

# Technical Datasheet No: 0048

KWSF50SS - EUROCLAD EC SF50 FIXING BRACKET - SS

Part No: WW3006150

Short Part No: KWSF50SS



## APPLICATION

Used to fix Kee Walk module to the Euroclad ED FC type of roof.

## COMPONENT SPECIFICATION

Material	Stainless Steel AISI 316L
Finish	Natural
Weight	0.16

Issue Date: 09/06/2017

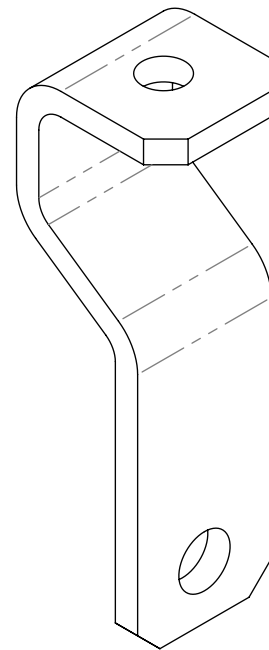
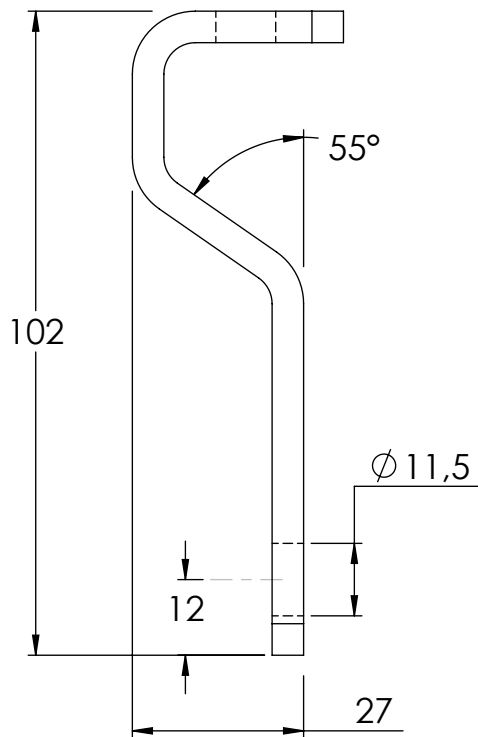
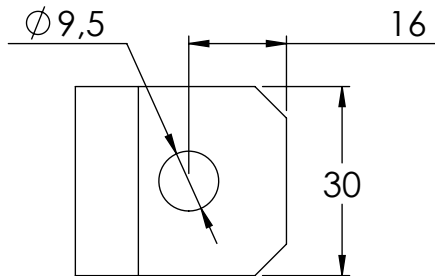
Issue No: 1

# Technical Datasheet No: 0049

WW3006010 - EUROCLAD EC SF 50 FIXING BRACKET

Part No: WW3006010

Short Part No: WW3006010



## APPLICATION

Used to fix Kee Walk module to the Euroclad ED FC type of roof.

## COMPONENT SPECIFICATION

Material	Mild Steel Q235B
Finish	Galvanised to KKMS/0030
Weight	0.13

Issue Date: 09/06/2017

Issue No: 1

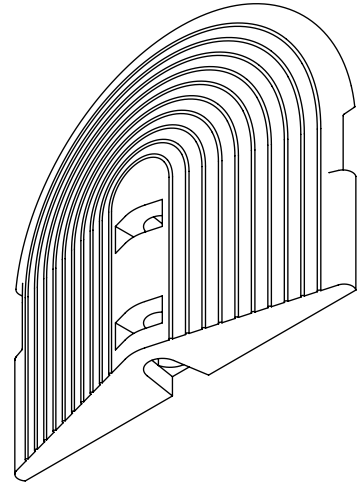
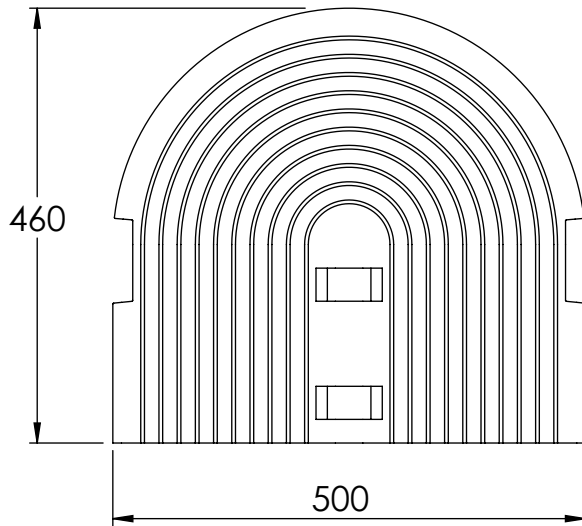


# Technical Datasheet No: 0050

440-7 KG-UPVC WEIGHT

Part No: 044070180

Short Part No: 440-7



## APPLICATION

This component provides stability to the free standing modules.

## COMPONENT SPECIFICATION

Material	Recycled PVC Rigid
Finish	Natural
Weight	13,5 kg

Issue Date: 09/06/2017

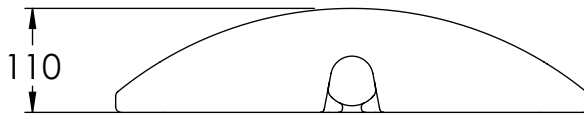
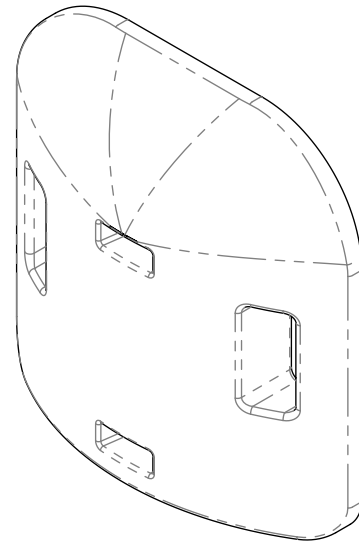
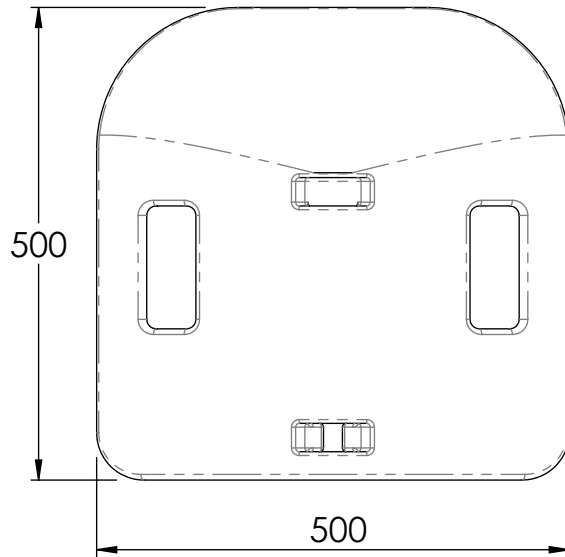
Issue No: 1

# Technical Datasheet No: 0051

## DEFENDER ROOF EDGE COUNTERWEIGHT

Part No: RE11P40

Short Part No: RE11P40



### APPLICATION

This component provides stability to the free standing modules.

### COMPONENT SPECIFICATION

Material	PVC Rigid
Finish	Natural
Weight	31.00

Issue Date: 09/06/2017

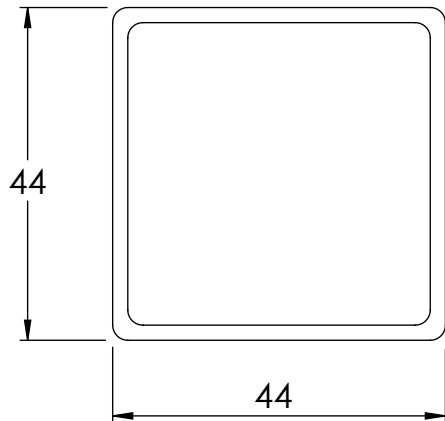
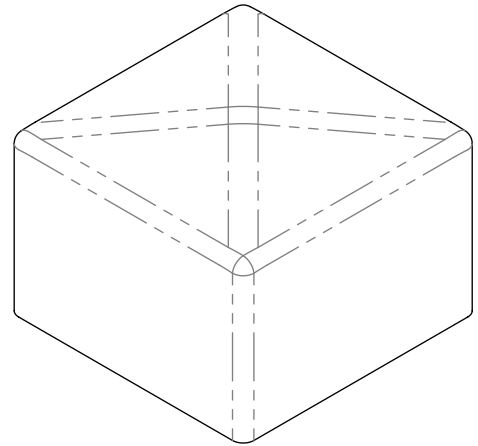
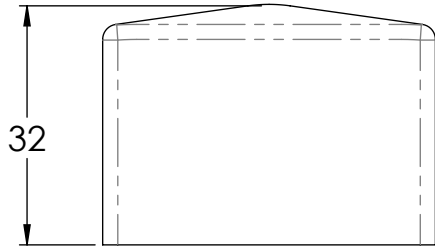
Issue No: 1

# Technical Datasheet No: 0052

WW16258CP - BLACK VINYL PLASTIC CAP

Part No: WW16258CP

Short Part No: WW16258CP



## APPLICATION

Used to cover end of aluminium extrusion

## COMPONENT SPECIFICATION

Material	Nylon 101
Finish	Natural
Weight	0.01

Issue Date: 09/06/2017

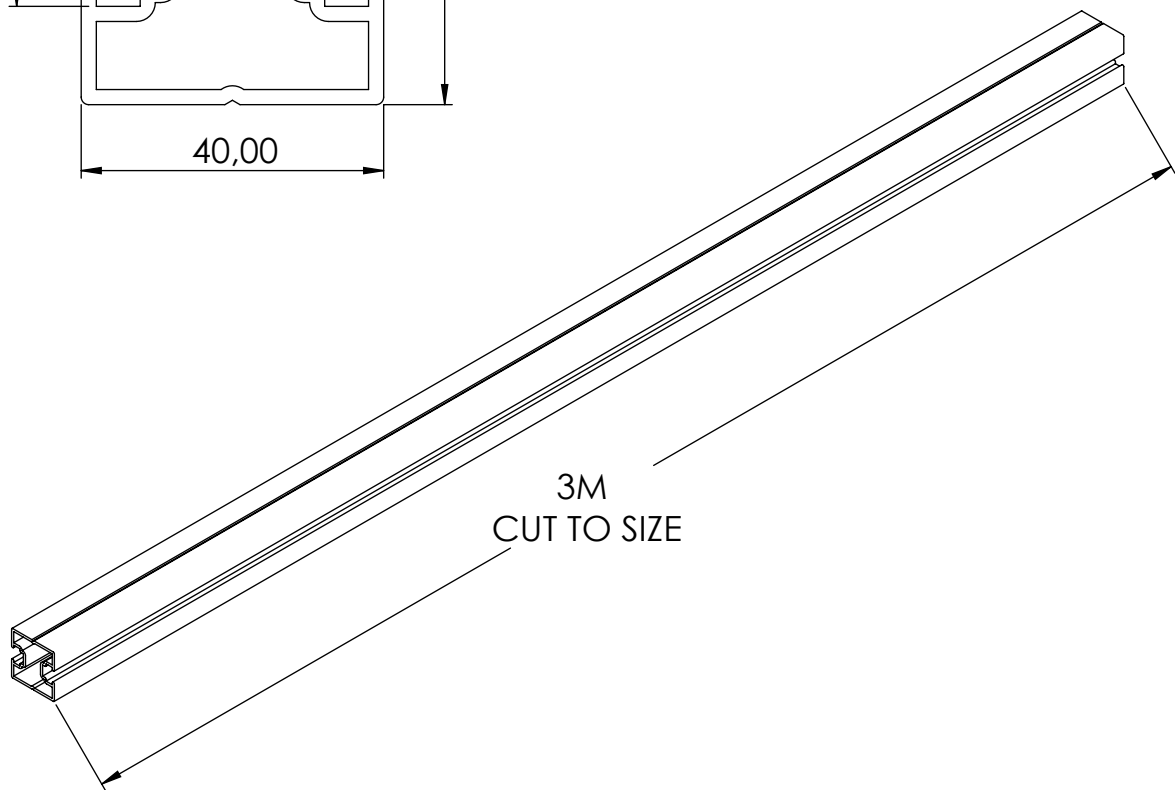
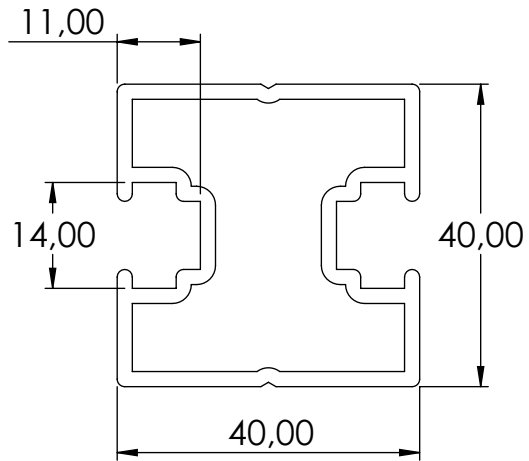
Issue No: 1

# Technical Datasheet No: 0053

WW4040 - EXTRUDED ALUMINIUM BEAM.

Part No: WW4040030

Short Part No: WW4040



## APPLICATION

Main aluminium extrusion in Kee Walk system. Used to create Kee Walk modules. Cut to required length.

## COMPONENT SPECIFICATION

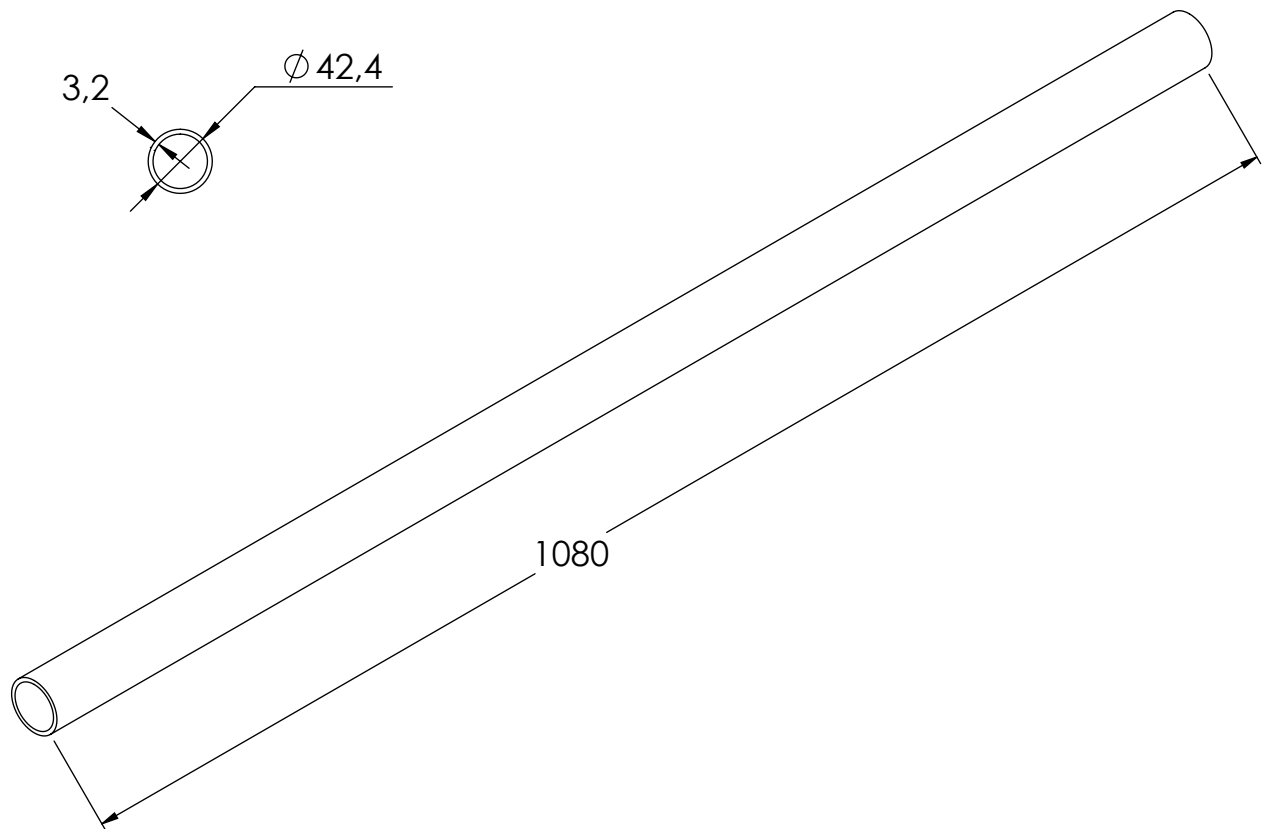
Material	ALUMINIUM ALLOY 6063-T6
Finish	Natural
Weight	1.1 kg/m

# Technical Datasheet No: 0054

440-7 WEIGHT - CROSS TUBE - 75 MPH VERSION

Part No: TUBE SIZE 7 - CUT TO SIZE

Short Part No: TUBE SIZE 7 - CUT TO SIZE



## APPLICATION

Used with 440-7 weights to support free standing modules.

## COMPONENT SPECIFICATION

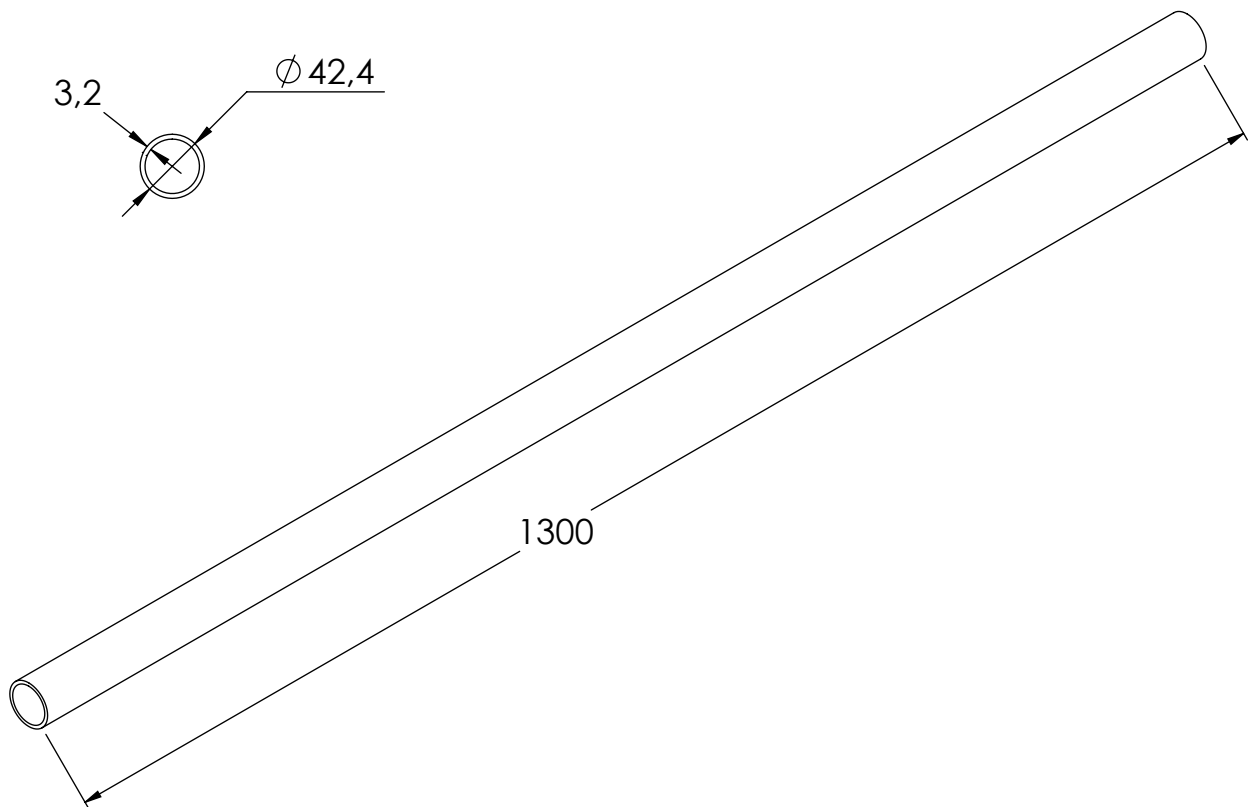
Material	Steel Tubing to BS EN 10255 3,2mm
Finish	Galvanised to BS EN ISO 1461
Weight	3.8 kg

# Technical Datasheet No: 0055

DEFENDER WEIGHT - CROSS TUBE - 95 MPH VERSION

Part No: TUBE SIZE 7 - CUT TO SIZE

Short Part No: TUBE SIZE 7 - CUT TO SIZE



## APPLICATION

Used with Defender weights to support free standing modules.

## COMPONENT SPECIFICATION

Material	Steel Tubing to BS EN 10255 3,2mm
Finish	Galvanised to BS EN ISO 1461
Weight	4.7 kg

Issue Date: 09/06/2017

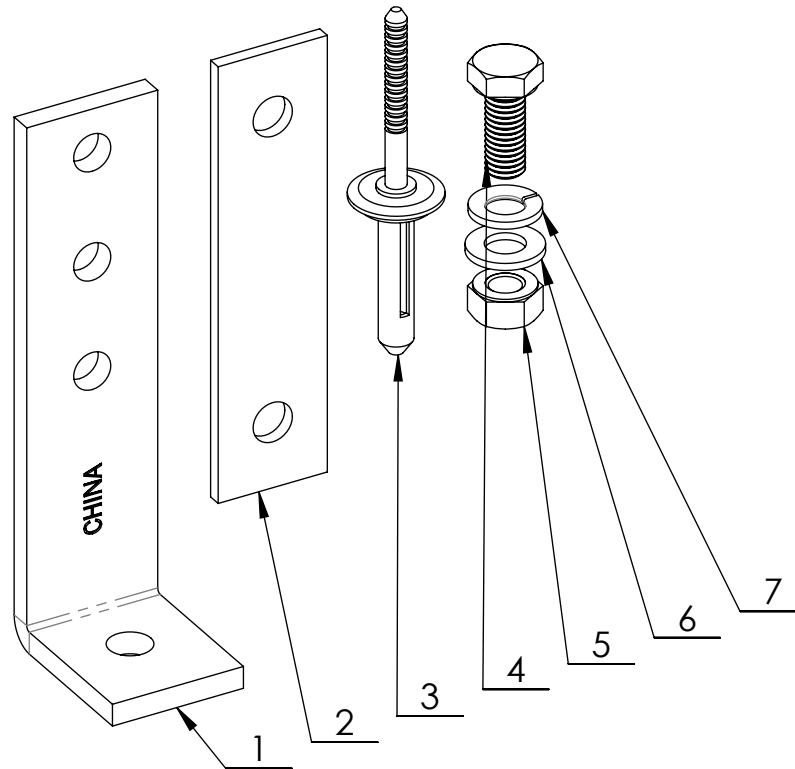
Issue No: 1

# Technical Datasheet No: 0056

FIXING PACKS GALV. - PROFILE ROOF

Part No: WW750FP10, WW751FP10, WW752FP10, WW753FP10

Short Part No: WFP1, WFP2, WFP3, WFP4



WW750FP10 - WFP1 - 3M STEPS/TRVERSE FIXING PACK - PROFILE ROOF

WW751FP10 - WFP2 - 1.5M STEPS/TRVERSE FIXING PACK - PROFILE ROOFS

WW752FP10 - WFP3 - 3M STEPS/LONGITUDINAL FIXING PACK - PROFILE ROOFS

WW753FP10 - WFP4 - 1.5M STEPS/LONGITUDINAL FIXING PACK - PROFILE ROOFS

ITEM NO.	PART NO.	DESCRIPTION	WFP1 QTY.	WFP2 QTY.	WFP3 QTY.	WFP4 QTY.
1	WW3096510	WW3096 - EXTENDED FIXING BRACKET GALV	6	4	9	6
2	WW1003030	WW1003 - STRAIGHT CONNECTOR ALUMINIUM	2	2	2	2
3	LAOKL2RVT	7.7 BULB-TITE RIVIT EPDM	12	8	18	12
4	WW1120110	WW1120 - M8 x 20 HEX HD GR 8,8 SET SCREW	4	4	4	4
5	WW2180110	WW2180 - M8 HEX HD FULL NUT GR 8,8	4	4	4	4
6	WW3180110	WW3180 - M8 PLAIN WASHER FORM A GALV	4	4	4	4
7	WW3280110	WW3280 - M8 SPRING WASHER TYPE A GALV	4	4	4	4

## APPLICATION

Fixing pack used to fix KeeWalk traverse and longitudinal modules to the profile roof.

## COMPONENT SPECIFICATION

Material	Mild Steel / Aluminium
Finish	Galvanised to BS EN ISO 1461 / Natural
Weight	0.3kg, 0.25kg, 0.36kg, 0.3kg

Issue Date: 25/10/2018

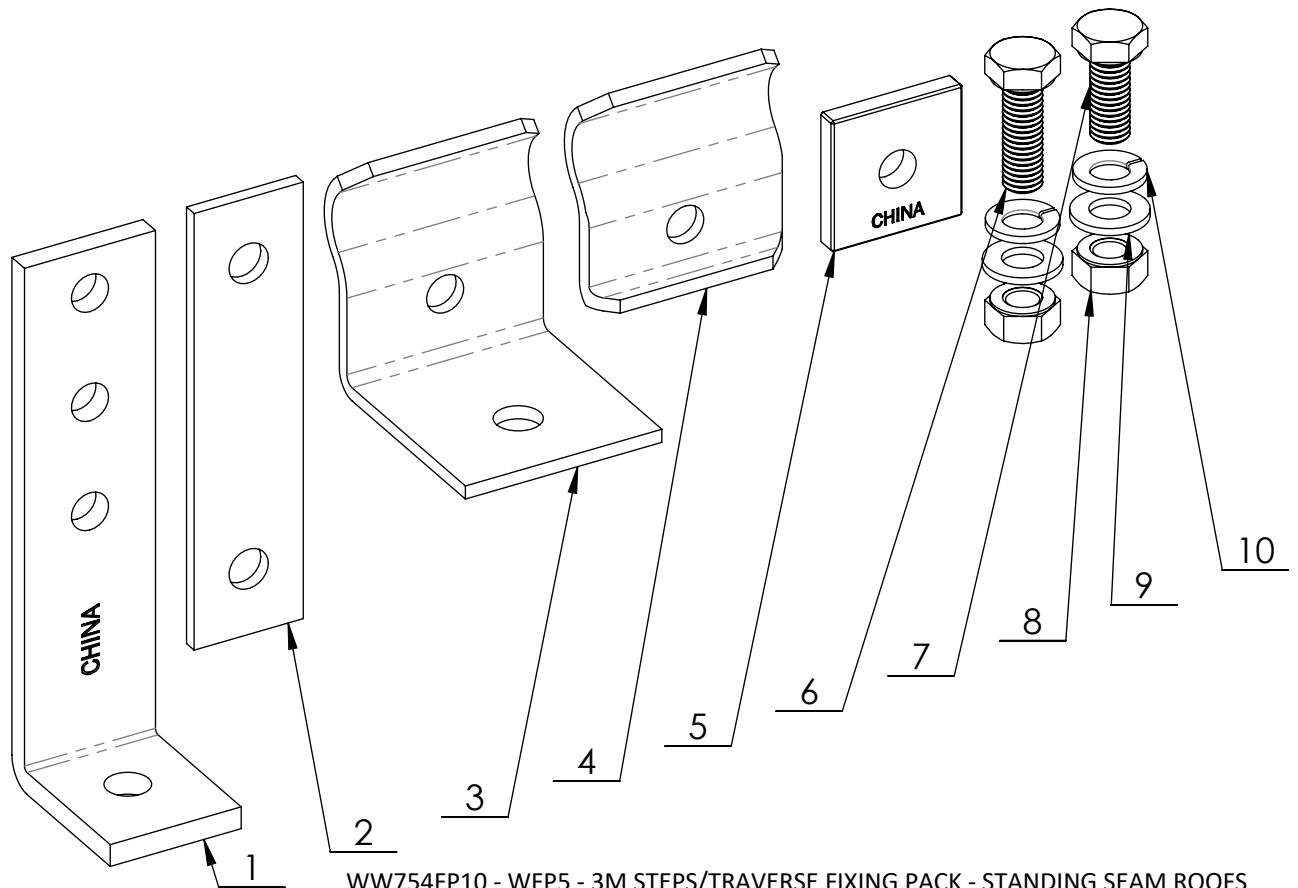
Issue No: 2

# Technical Datasheet No: 0057

FIXING PACKS GALV. - STANDING SEAM ROOF

Part No: WW754FP10, WW755FP10, WW756FP10, WW757FP10

Short Part No: WFP5, WFP6, WFP7, WFP8



WW754FP10 - WFP5 - 3M STEPS/TRAVERSE FIXING PACK - STANDING SEAM ROOFS

WW755FP10 - WFP6 - 1.5M STEPS/TRAVERSE FIXING PACK - STANDING SEAM ROOFS

WW756FP10 - WFP7 - 3M STEPS/LONGITUDINAL FIXING PACK - STANDING SEAM ROOFS

WW757FP10 - WFP8 - 1.5M STEPS/LONGITUDINAL FIXING PACK - STANDING SEAM ROOFS

ITEM NO.	PART NO.	DESCRIPTION	WFP5 QTY.	WFP6 QTY.	WFP7 QTY.	WFP8 QTY.
1	WW3096510	WW3096 - EXTENDED FIXING BRACKET GALV	6	4	8	6
2	WW1003030	WW1003 - STRAIGHT CONNECTOR ALUMINIUM	2	2	2	2
3	WW4510203	WW4510 - STANDING SEAM ROOFING CLIP ONE HALF	6	4	8	6
4	WW4505503	WW4505 - STANDING SEAM ROOFING CLIP 2ND HALF	6	4	8	6
5	WW40906510	KEE WALK SPACER	6	4	8	6
6	WW1125110	WW1125 - M8 x 25 HEX HD GR 8,8 SET SCREW	6	4	8	6
7	WW1120110	WW1120 - M8 x 20 HEX HD GR 8,8 SET SCREW	10	8	12	10
8	WW2180110	WW2180 - M8 HEX HD FULL NUT GR 8,8	16	12	20	16
9	WW3180110	WW3180 - M8 PLAIN WASHER FORM A GALV	22	20	28	22
10	WW3280110	WW3280 - M8 SPRING WASHER TYPE A GALV	16	12	20	16

## APPLICATION

Fixing pack used to fix KeeWalk traverse and longitudinal modules to the profile roof.

## COMPONENT SPECIFICATION

Material	Mild Steel / Aluminium
Finish	Galvanised to BS EN ISO 1461 / Natural
Weight	1.44kg, 1.02kg, 2.07kg, 1.44kg

Issue Date: 25/10/2018

Issue No: 2

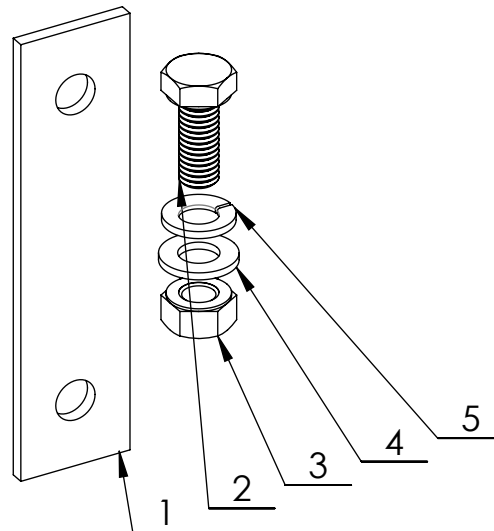


# Technical Datasheet No: 0058

WFP9 - JOINER FOR FREE STANDING MODULES

Part No: WW758FP10

Short Part No: WFD9



ITEM NO.	PART NO.	DESCRIPTION	QTY.
1	WW1003030	WW1003 - STRAIGHT CONNECTOR ALUMINIUM	2
2	WW1120110	WW1120 - M8 x 20 HEX HD GR 8,8 SET SCREW	4
3	WW2180110	WW2180 - M8 HEX HD FULL NUT GR 8,8	4
4	WW3180110	WW3180 - M8 PLAIN WASHER FORM A GALV	4
5	WW3280110	WW3280 - M8 SPRING WASHER TYPE A GALV	4

## APPLICATION

Fixing pack used to fix Kee Walk free standing modules.

## COMPONENT SPECIFICATION

Material	Mild Steel / Aluminium
Finish	Galvanised to BS EN ISO 1461 / Natural
Weight	0.18 kg

Issue Date: 25/10/2018

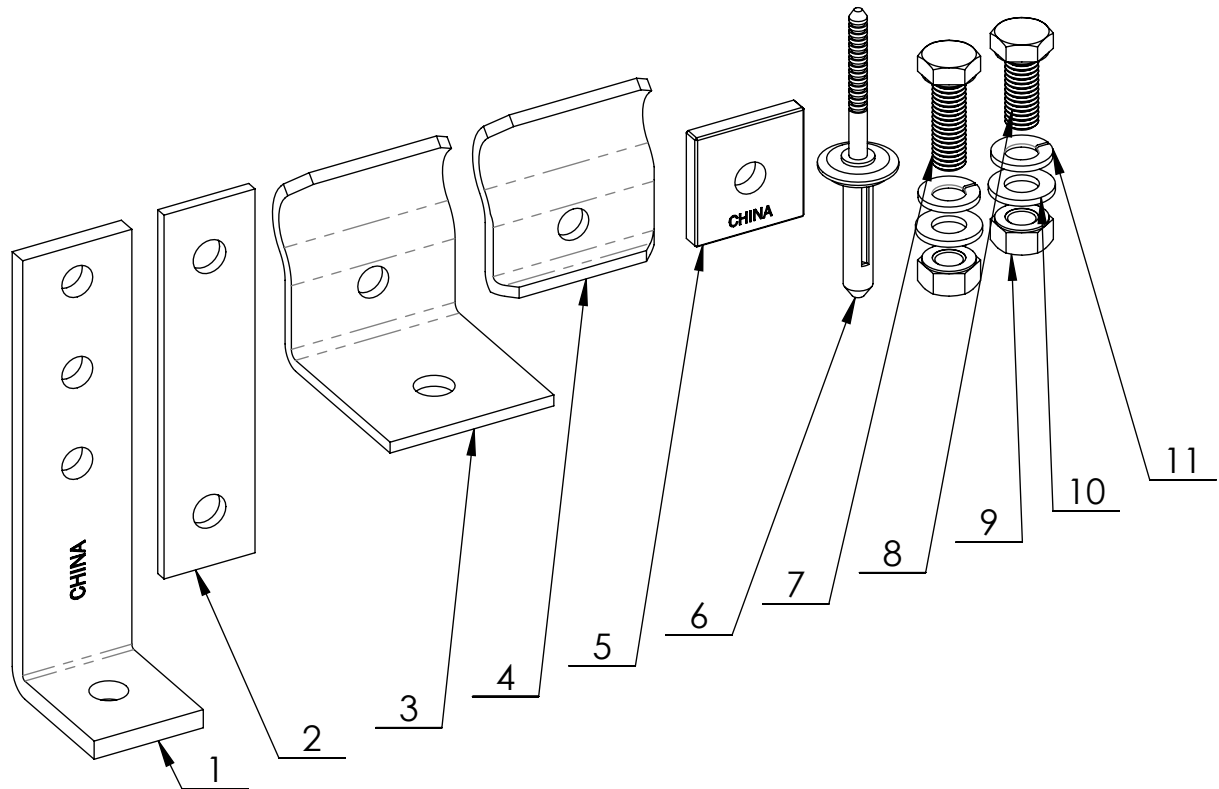
Issue No: 2

# Technical Datasheet No: 0059

WFP10 - FIXING SPARES PACK

Part No: WW759FP10

Short Part No: WFP10



ITEM NO.	PART NO.	DESCRIPTION	QTY.
1	WW3096510	WW3096 - EXTENDED FIXING BRACKET GALV	5
2	WW1003030	WW1003 - STRAIGHT CONNECTOR ALUMINIUM	5
3	WW4510203	WW4510 - STANDING SEAM ROOFING CLIP ONE HALF	5
4	WW4505503	WW4505 - STANDING SEAM ROOFING CLIP 2ND HALF	5
5	WW40906510	KEE WALK SPACER	5
6	LAOKL2RVT	7.7 BULB-TITE RIVIT EPDM	50
7	WW1125110	WW1125 - M8 x 25 HEX HD GR 8,8 SET SCREW	10
8	WW1120110	WW1120 - M8 x 20 HEX HD GR 8,8 SET SCREW	25
9	WW2180110	WW2180 - M8 HEX HD FULL NUT GR 8,8	35
10	WW3180110	WW3180 - M8 PLAIN WASHER FORM A GALV	35
11	WW3280110	WW3280 - M8 SPRING WASHER TYPE A GALV	35

## APPLICATION

Fixing spares pack for Kee Walk.

## COMPONENT SPECIFICATION

Material	Mild Steel / Aluminium
Finish	Galvanised to BS EN ISO 1461 / Natural
Weight	4.05 kg

Issue Date: 25/10/2018

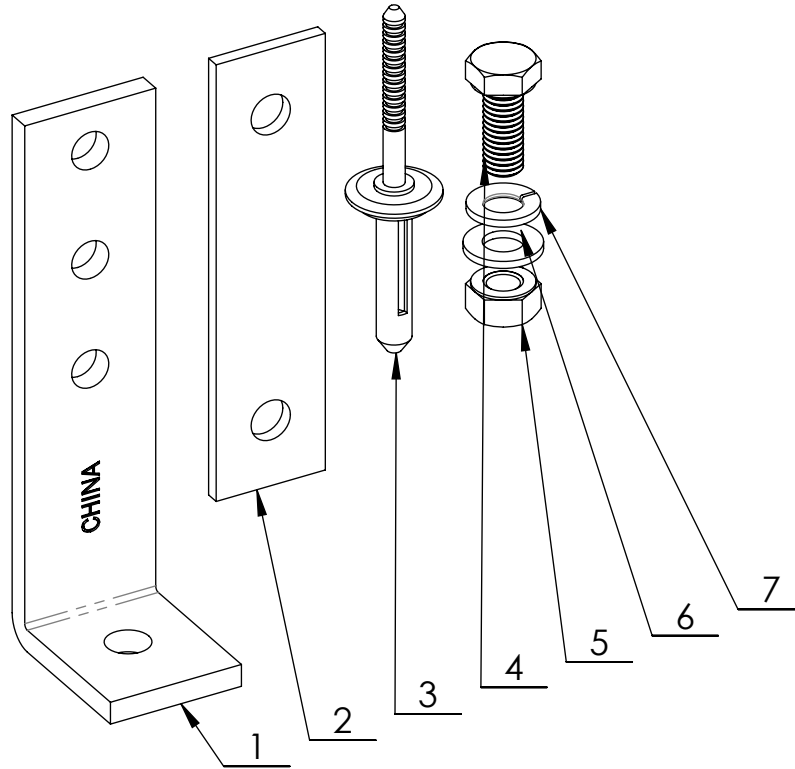
Issue No: 2

# Technical Datasheet No: 0060

## STAINLESS STEEL FIXING PACKS ST/ST- PROFILE ROOF

Part No: WW850FP10, WW851FP10, WW852FP10, WW853FP10

Short Part No: WFP1SS, WFP2SS, WFP3SS, WFP4SS



WW850FP10 - WFP1SS - 3M STEPS/TRVERSE FIXING PACK ST/ST - PROFILE ROOF  
WW851FP10 - WFP2SS - 1.5M STEPS/TRVERSE FIXING PACK ST/ST- PROFILE ROOFS  
WW852FP10 - WFP3SS - 3M STEPS/LONGITUDINAL FIXING PACK ST/ST- PROFILE ROOFS  
WW853FP10 - WFP4SS - 1.5M STEPS/LONGITUDINAL FIXING PACK ST/ST- PROFILE ROOFS

ITEM NO.	PART NO.	DESCRIPTION	WFP1 QTY.	WFP2 QTY.	WFP3 QTY.	WFP4 QTY.
1	WW3096510	WW3096 - EXTENDED FIXING BRACKET GALV	6	4	9	6
2	WW1003030	WW1003 - STRAIGHT CONNECTOR ALUMINIUM	2	2	2	2
3	LAOKL2RVT	7.7 BULB-TITE RIVIT EPDM	12	8	18	12
4	WW1120150	WW1120ST - M8 x 20 A4-70 HEX HD SETSCREW ST/ST	4	4	4	4
5	WW2180150	WW2180ST - M8 A4-70 HEX NUT ST/ST	4	4	4	4
6	WW3180150	WW3180ST - M8 A4-70 PLAIN WASHER ST/ST	4	4	4	4
7	WW3280150	WW3280ST - M8 A4-70 SPRING WASHER ST/ST	4	4	4	4

### APPLICATION

Stainless Steel fixing pack used to fix KeeWalk traverse and longitudinal modules to the profile roof.

### COMPONENT SPECIFICATION

Material	Mild Steel / Aluminium / Stainless Steel
Finish	Galvanised to BS EN ISO 1461 / Natural
Weight	0.20kg, 0.25kg, 0.30kg, 0.25kg

Issue Date: 25/10/2018

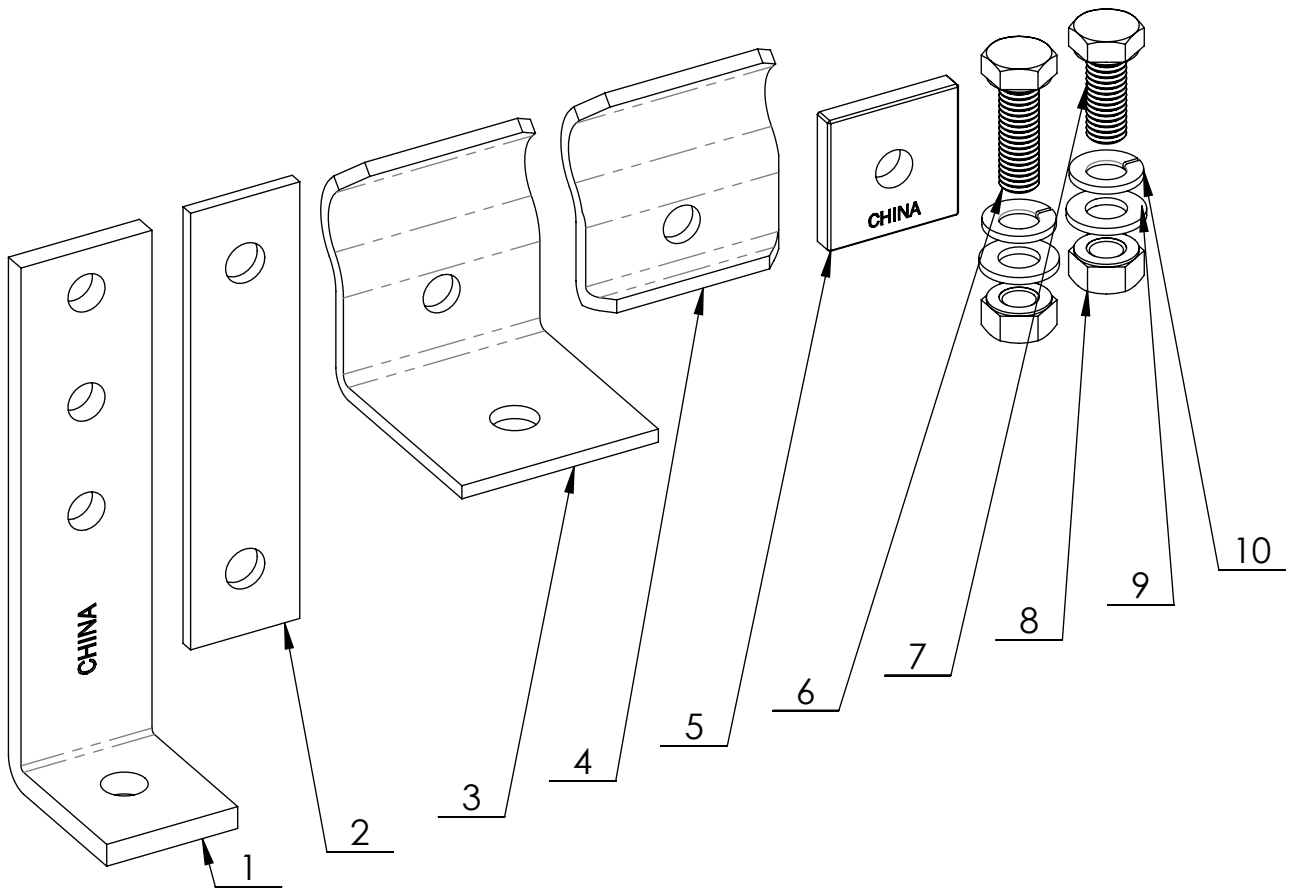
Issue No: 4

# Technical Datasheet No: 0061

## FIXING PACK STAINLESS STEEL - STANDING SEAM ROOF

Part No: WW854FP10, WW855FP10, WW856FP10, WW857FP10

Short Part No: WFP5SS, WFP6SS, WFP7SS, WFP8SS



WW854FP10 - WFP5SS - 3M STEPS/TRVERSE FIXING PACK ST/ST- STANDING SEAM ROOFS  
 WW855FP10 - WFP6SS - 1.5M STEPS/TRVERSE FIXING PACK ST/ST- STANDING SEAM ROOFS  
 WW856FP10 - WFP7SS - 3M STEPS/LONGITUDINAL FIXING PACK ST/ST- STANDING SEAM ROOFS  
 WW857FP10 - WFP8SS - 1.5M STEPS/LONGITUDINAL FIXING PACK ST/ST- STANDING SEAM ROOFS

ITEM NO.	PART NO.	DESCRIPTION	WFP5 QTY.	WFP6 QTY.	WFP7 QTY.	WFP8 QTY.
1	WW3096510	WW3096 - EXTENDED FIXING BRACKET GALV	6	4	8	6
2	WW1003030	WW1003 - STRAIGHT CONNECTOR ALUMINIUM	2	2	2	2
3	WW4510203	WW4510 - STANDING SEAM ROOFING CLIP ONE HALF	6	4	8	6
4	WW4505503	WW4505 - STANDING SEAM ROOFING CLIP 2ND HALF	6	4	8	6
5	WW40906510	KEE WALK SPACER	6	4	8	6
6	WW1125150	WW1125ST - M8 x 25 A4-70 HEX HD SETSCREW ST/ST	6	4	8	6
7	WW1120150	WW1120ST - M8 x 20 A4-70 HEX HD SETSCREW ST/ST	10	8	12	10
8	WW2180150	WW2180ST - M8 A4-70 HEX NUT ST/ST	16	12	20	16
9	WW3180150	WW3180ST - M8 A4-70 PLAIN WASHER ST/ST	22	20	28	22
10	WW3280150	WW3280ST - M8 A4-70 SPRING WASHER ST/ST	16	12	20	16

### APPLICATION

Stainless Steel fixing pack used to fix KeeWalk traverse and longitudinal modules to the profile roof.

### COMPONENT SPECIFICATION

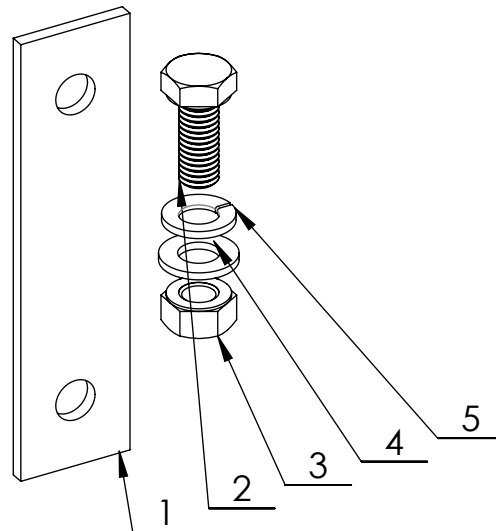
Material	Mild Steel / Aluminium / Stainless Steel
Finish	Galvanised to BS EN ISO 1461 / Natural
Weight	1.44kg, 1.02kg, 2.07kg, 1.44kg

# Technical Datasheet No: 0062

WFP9 - JOINER FOR FREE STANDING MODULES SS

Part No: WW858FP10

Short Part No: WFD9SS



ITEM NO.	PART NO.	DESCRIPTION	QTY.
1	WW1003030	WW1003 - STRAIGHT CONNECTOR ALUMINIUM	2
2	WW1120150	WW1120ST - M8 x 20 A4-70 HEX HD SETSCREW ST/ST	4
3	WW2180150	WW2180ST - M8 A4-70 HEX NUT ST/ST	4
4	WW3180150	WW3180ST - M8 A4-70 PLAIN WASHER ST/ST	4
5	WW3280150	WW3280ST - M8 A4-70 SPRING WASHER ST/ST	4

## APPLICATION

Stainless Steel fixing pack used to fix Kee Walk free standing modules.

## COMPONENT SPECIFICATION

Material	Mild Steel / Aluminium / Stainless Steel
Finish	Galvanised to BS EN ISO 1461 / Natural
Weight	0.18 kg

Issue Date: 25/10/2018

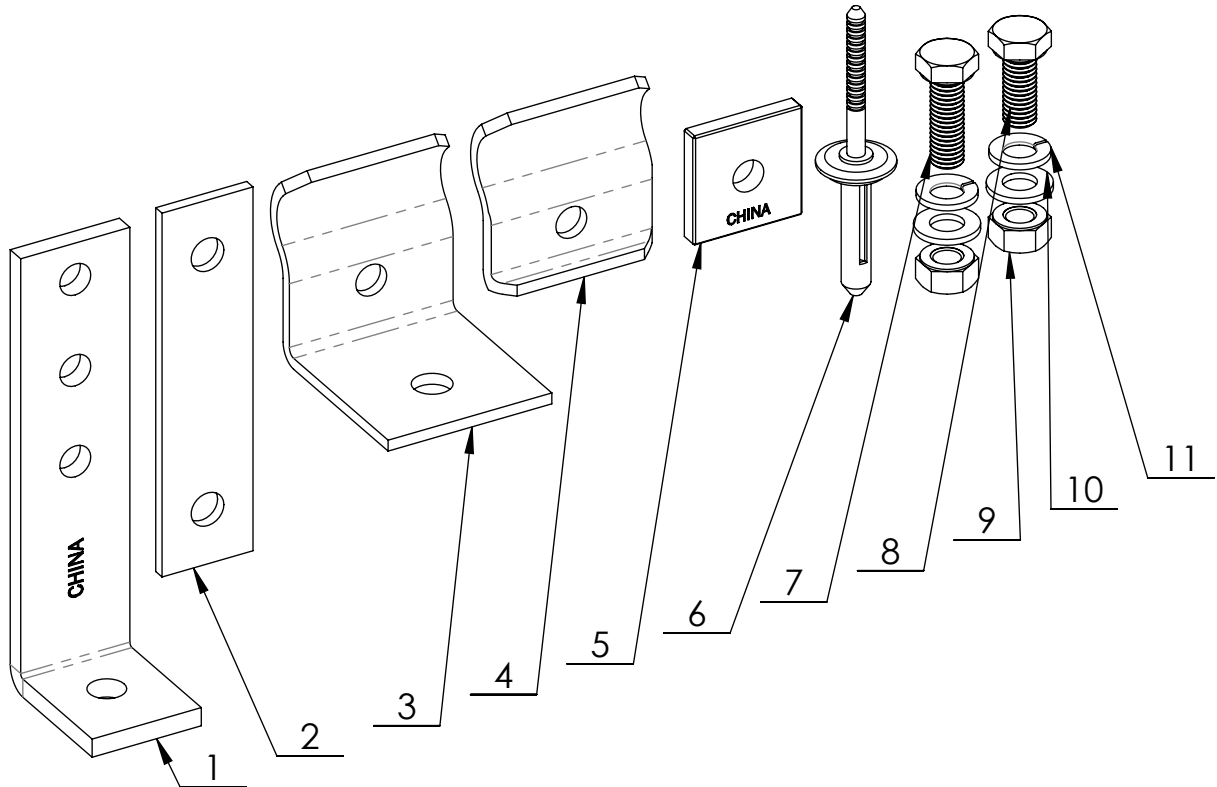
Issue No: 4

# Technical Datasheet No: 0063

WFP10SS - FIXING SPARES PACK ST/ST

Part No: WW859FP10

Short Part No: WFP10SS



ITEM NO.	PART NO.	DESCRIPTION	QTY.
1	WW3096510	WW3096 - EXTENDED FIXING BRACKET GALV	5
2	WW1003030	WW1003 - STRAIGHT CONNECTOR ALUMINIUM	5
3	WW4510203	WW4510 - STANDING SEAM ROOFING CLIP ONE HALF	5
4	WW4505503	WW4505 - STANDING SEAM ROOFING CLIP 2ND HALF	5
5	WW40906510	KEE WALK SPACER	5
6	LAOKL2RVT	7.7 BULB-TITE RIVIT EPDM	50
7	WW1125150	WW1125ST - M8 x 25 A4-70 HEX HD SETSCREW ST/ST	10
8	WW1120150	WW1120ST - M8 x 20 A4-70 HEX HD SETSCREW ST/ST	25
9	WW2180150	WW2180ST - M8 A4-70 HEX NUT ST/ST	35
10	WW3180150	WW3180ST - M8 A4-70 PLAIN WASHER ST/ST	35
11	WW3280150	WW3280ST - M8 A4-70 SPRING WASHER ST/ST	35

## APPLICATION

Stainless Steel fixing spares pack for Kee Walk.

## COMPONENT SPECIFICATION

Material	Mild Steel / Aluminium / Stainless Steel
Finish	Galvanised to BS EN ISO 1461 / Natural
Weight	4.05 kg

Issue Date: 25/10/2018

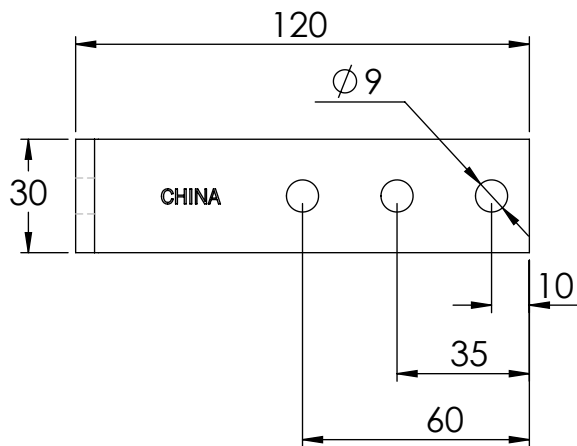
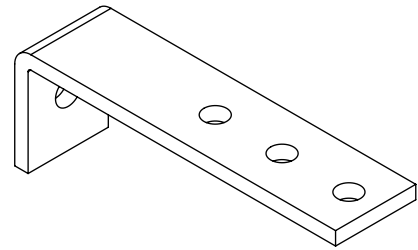
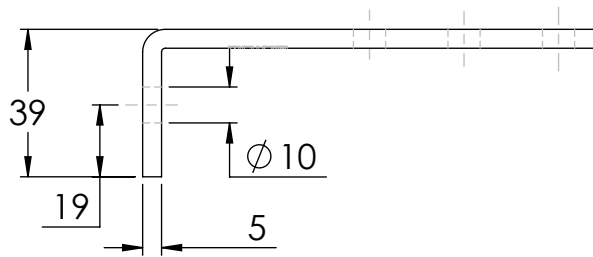
Issue No: 4

# Technical Datasheet No: 0064

WW3096 - EXTENDED FIXING BRACKET GALV

Part No: WW3096510

Short Part No: WW3096



## APPLICATION

Used to fix Kee Walk extrusions or module to the roof.

## COMPONENT SPECIFICATION

Material	Mild Steel S235
Finish	Galvanised to KKMS/0030
Weight	0.17

Issue Date: 24/10/2018

Issue No: 1